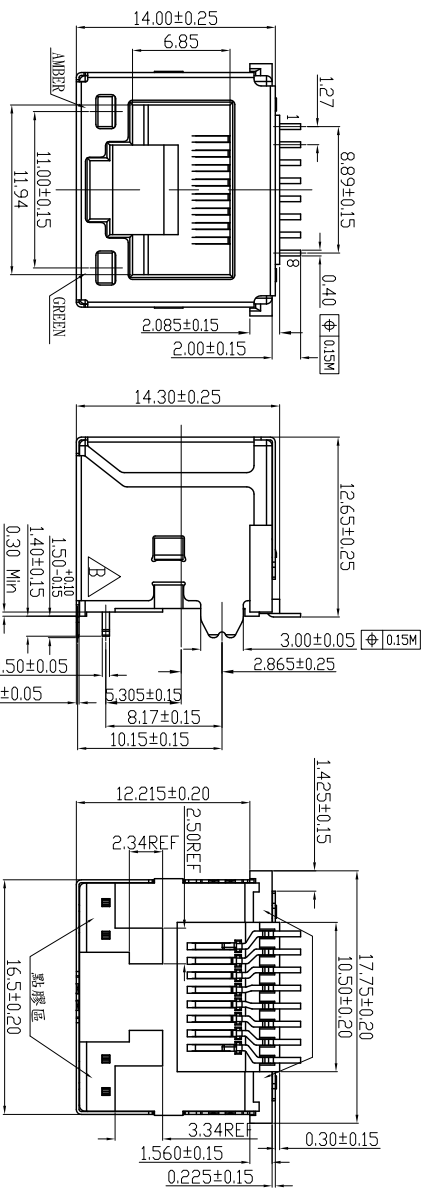


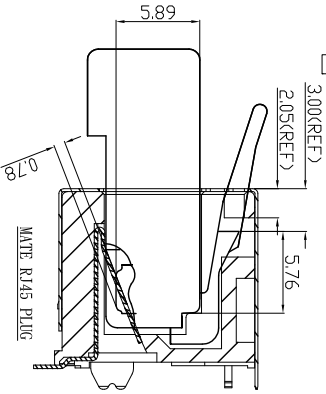
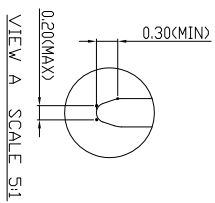
RECOMMENDED PCB LAYOUT
TOLERANCE:±0.05mm
RECOMMENDED PCB THICKNESS:1.60±0.05

- SPECIFICATIONS:
- VOLTAGE RATING: 150 VAC MAX.
 - CURRENT RATING: 1.5 AMP MAX.
 - INSULATION RESISTANCE: 500M OHMS MIN. AT 500 VDC.
 - DIELECTRIC WITHSTANDING VOLTAGE: 500 VAC 60Hz 1 MINUTE.
 - DURABILITY: 5000 CYCLES.
 - OPERATING TEMPERATURE: -30°C TO +70°C.
 - TO CONFORM TO SINGATRON HAZARDOUS SUBSTANCE FREE SPEC.
 - HALOGEN FREE PRODUCT IDENTIFICATION LABEL ON PACKAGING:
 - PACKAGE: SEE "2R1799-000211F" PACKAGE.
 - FOR REFLOW SOLDERING LEAD-FREE PROCESS.
 - MATES WITH MODULAR PLUG CONFORMING TO FCC PART 68, SUBPART F.
 - OTHER GENERAL SPEC. TO REFER "2R1799-000211F SPEC".



2R1799-000211F
LED COLOR
0: LED1(AMBER)
LED2(GREEN)
P: HALOGEN FREE
PACKAGE
1: TAPE & REEL
HOUSING COLOR
1: BLACK
CONTACT AREA PLATING
2: 30u" GOLD ON CONTACT AREA,
MAYBE TIN 80u" MIN ON SOLDER AREA.
30u" MIN NICKEL UNDERPLATED OVERALL.

NOTE	COLOR	LED ELECTRICAL CHARACTERISTIC	FINISHING CURRENT
1) 10+	AMBER	9 -14-10	IF=20mA
2) 10+	GREEN	11 -14-12	IF=20mA



NO	DESCRIPTION	QTY	MATERIAL	PLATING & COLOR
D	LED	2	GREEN/AMBER	SILVER
C	SHIELD	1	SUS201	50u" NICKEL PLATED
B	CONTACT	8	C5210R-EH	SEE PART NO.
A	HOUSING	1	PA10T UL 94V-0	BLACK
NO	DESCRIPTION		MATERIAL	PLATING & COLOR

UNLESS OTHERWISE SPECIFIED TOLERANCES
 Singatron Enterprise Co., Ltd.
 信登企业股份有限公司

DECIMALS:	ANGLES:	TITLE	DATE
X :±0.5	X :±2°	R45 PHONE JACK	
X.X :±0.3	X.X :±1°	DWN JANGMO PART NO. 2R1799-000211F	
X.XX :±0.2		CHKD ALIN SCALE 3/1 UNIT: mm	
		APVD BOM SIZE: A3 SHEET: 1 OF 1 REV: B	

CUSTOMER COPY

Pin define:	100Base-T4
Pin 1 TX+	Pin 1 TX_D1+
Pin 2 TX-	Pin 2 TX_D1-
Pin 3 RX+	Pin 3 RX_D2+
Pin 4 n/c	Pin 4 BL_D3+
Pin 5 n/c	Pin 5 BL_D3-
Pin 6 RX-	Pin 6 RX_D2-
Pin 7 n/c	Pin 7 BL_D4+
Pin 8 n/c	Pin 8 BL_D4-