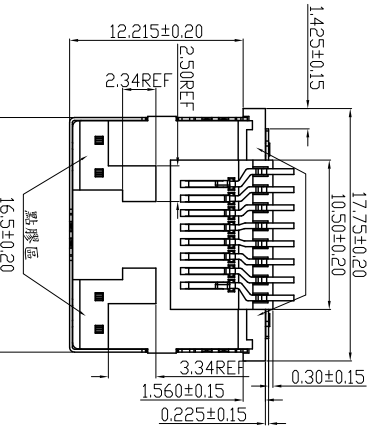
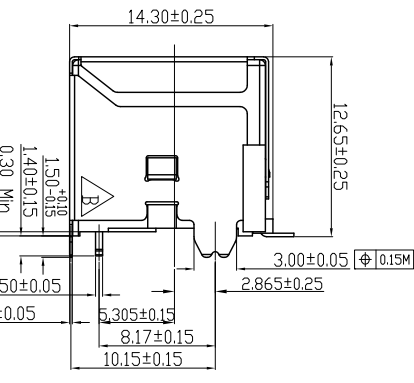
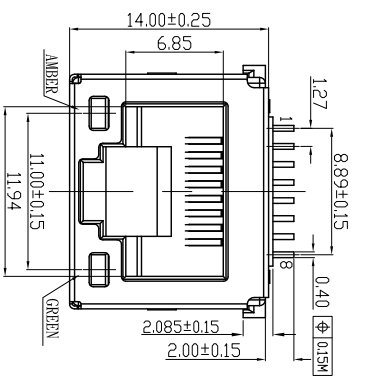


RECOMMENDED PCB LAYOUT
TOLERANCE: ±0.05mm
RECOMMENDED PCB THICKNESS: 1.60±0.05

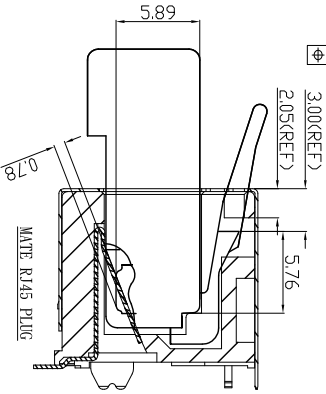
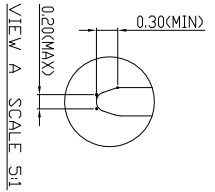
- SPECIFICATIONS:
- VOLTAGE RATING: 150 VAC MAX.
 - CURRENT RATING: 1.5 AMP MAX.
 - INSULATION RESISTANCE: 500M OHMS MIN. AT 500 VDC.
 - DIELECTRIC WITHSTANDING VOLTAGE: 500 VAC 60Hz 1 MINUTE.
 - DURABILITY: 5000 CYCLES.
 - OPERATING TEMPERATURE: -30°C TO +70°C.
 - TO CONFORM TO SINGATRON HAZARDOUS SUBSTANCE FREE SPEC.
 - HALOGEN FREE PRODUCT IDENTIFICATION LABEL ON PACKAGING.
 - PACKAGE: SEE "2R1799-010111F" PACKAGE.
 - FOR REFLOW SOLDERING LEAD-FREE PROCESS.
 - MATES WITH MODULAR PLUG CONFORMING TO FCC PART 68, SUBPART F.
 - OTHER GENERAL SPEC. TO REFER "2R1799-010111F SPEC".



2R1799-010111F
LED COLOR
1: LED1(AMBER)
2: LED2(GREEN)

SUPPLX: HALOGEN FREE
PACKAGE
1: TAPE & REEL
HOUSING COLOR
1: BLACK
CONTACT AREA PLATING
1: GOLD FLASH ON CONTACT AREA,
MAYBE TIN 80% MIN ON SOLDER AREA,
30% MIN NICKEL UNDERPLATED OVERALL.

NOTE	COLOR	LED ELECTRICAL CHARACTERISTIC	FORWARD CURRENT
1) 10<->	AMBER	9 -1-> 10	IF=20MA
2) 10<->	GREEN	11 -1-> 12	IF=20MA



Pin define:

10/100Base-T	100Base-T4
Pin 1 TX+	Pin 1 TX_D1+
Pin 2 TX-	Pin 2 TX_D1-
Pin 3 RX+	Pin 3 RX_D2+
Pin 4 n/c	Pin 4 BL_D3+
Pin 5 n/c	Pin 5 BL_D3-
Pin 6 RX-	Pin 6 RX_D2-
Pin 7 n/c	Pin 7 BL_D4+
Pin 8 n/c	Pin 8 BL_D4-

NO	DESCRIPTION	QTY	MATERIAL	PLATING & COLOR
D	LED	2	GREEN/AMBER	SILVER
C	SHIELD	1	SUS201	50μ" NICKEL PLATED
B	CONTACT	8	C5210R-EH	SEE PART NO.
A	HOUSING	1	PA10T UL 94V-0	BLACK

UNLESS OTHERWISE SPECIFIED TOLERANCES

Singatron Enterprise Co., Ltd.
信登企業股份有限公司

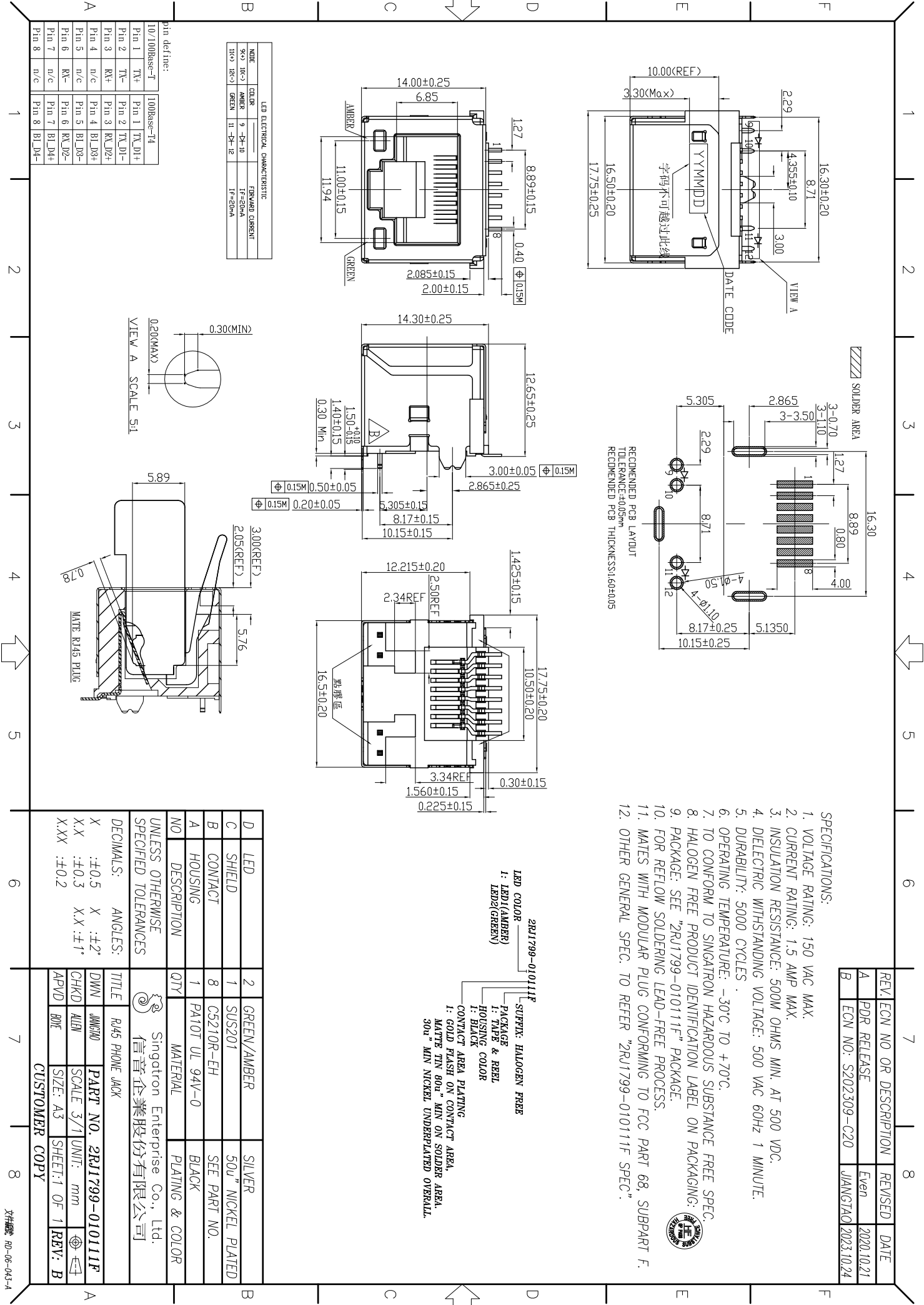
TITLE R45 PHONE JACK
DWG AMEND
CHKD ALB
APVD BWT

PART NO. 2R1799-010111F
SCALE 3/1
UNIT: mm

SIZE: A3 SHEET: 1 OF 1 REV: B

DECIMALS: ANGLES:
X : ±0.5 X : ±2°
X.X : ±0.3 X.X : ±1°
X.XX : ±0.2

CUSTOMER COPY



REV.	ECN NO OR DESCRIPTION	REVISED	DATE
A	PDR RELEASE	Even	2020.10.21
B	ECN NO: S202309-C20	JIANGTAO	2023.10.24