

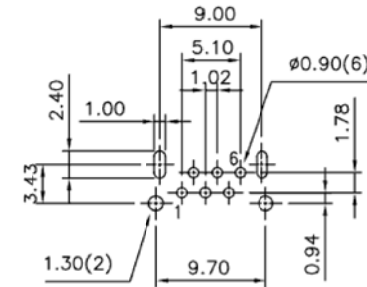
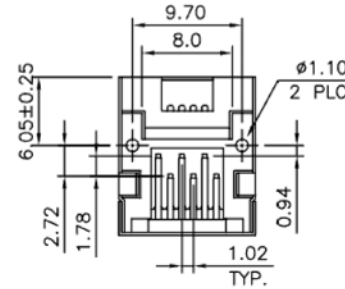
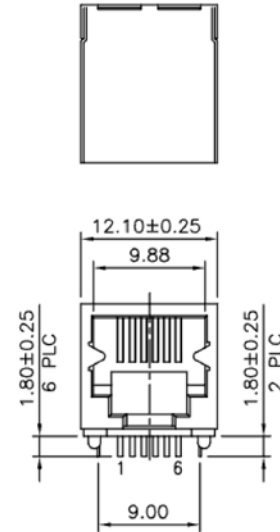
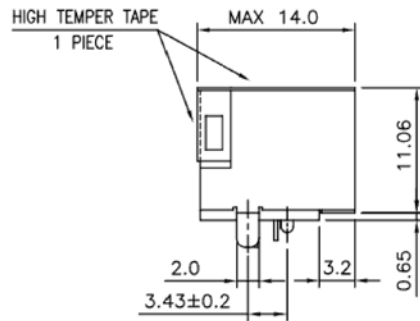
REV.	ECN NO OR DESCRIPTION	REVISED	DATE
A	PDR RELEASE	Even	2019.09.18

RoHS Compliance

MATERIAL:

- HOUSING—PA9T GN2330
BLACK COLOR, UL94V-0
- CONTACTS—0.35mm THICK PHOS-BRONZE PLATED
WITH 6u" GOLD AND GOLD FLASH IN
SOLDER AREA.
- SHIELD—0.20mm THICK COPPER ALLOY,
PLATED WITH NICKEL.

CAVITY CONFIRMS TO FCC RULES AND REGULATIONS
PART 68,SUBPART F.



PCB LAYOUT
Ref.

SPECIFICATIONS:

1. TO CONFORM TO THE SINGATRON HAZARDOUS SUBSTANCE FREE SPEC.
2. GREEN PRODUCT IDENTIFICATION LABEL ON PACKAGING: **G.P. PASS**
3. PACKAGE: SEE "2RJ1812-000111H" PACKAGE.
4. OTHER GENERAL SPEC. TO REFER "2RJ1812-000111H SPEC".

NO	DESCRIPTION	QTY	MATERIAL	PLATING & COLOR
UNLESS OTHERWISE SPECIFIED TOLERANCES		Singatron Enterprise Co., Ltd. 信音企業股份有限公司		
DECIMALS: ANGLES:		TITLE RJ11 RECEPTACLE CONNECTOR		
X.X	:±0.25	X	:±2°	DWN
X.XX	:±0.20	X.X	:±1°	CHKD
X.XXX	:±0.10	APVD		
CUSTOMER COPY				