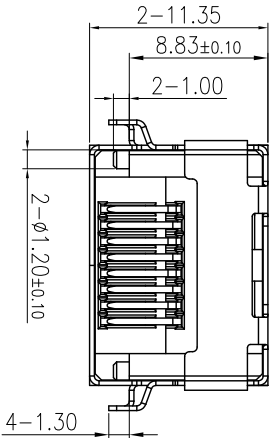
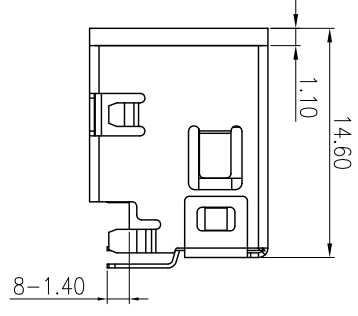
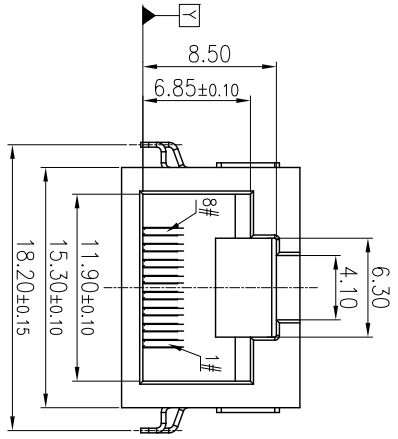
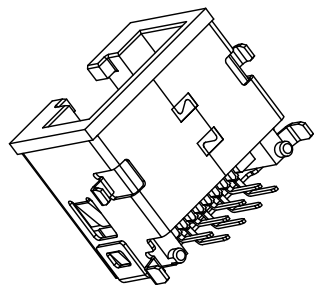
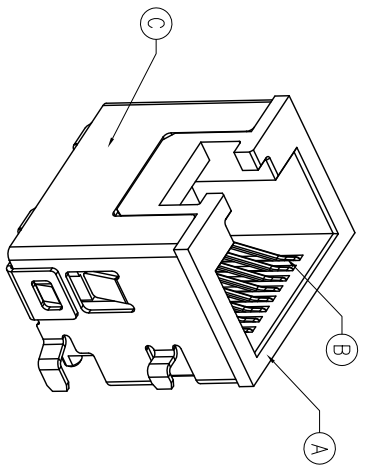
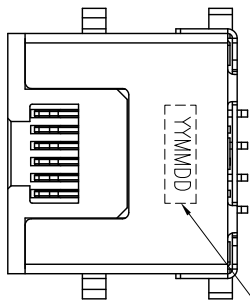
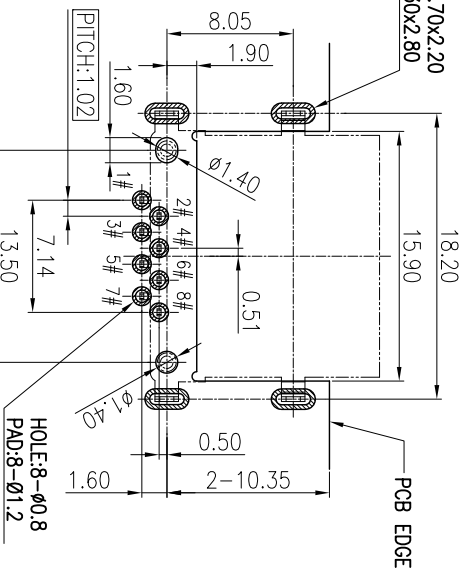
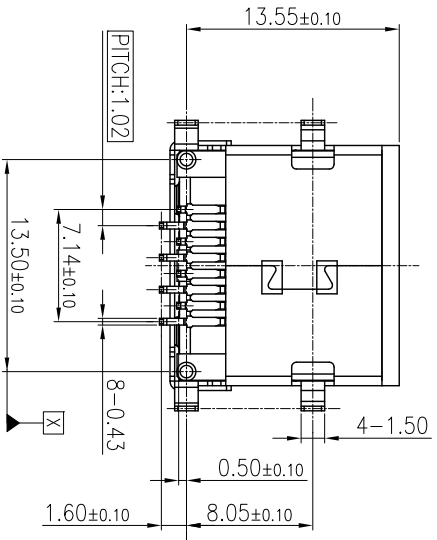


DATE CODE



- SPECIFICATIONS:
- ELECTRICAL CHARACTERISTICS:
- 1-1. CURRENT RATING:1.5A MAX.
  - 1-2. VOLTAGE RATING:150 VAC MAX.
  - 1-3. INSULATION RESISTANCE: 100 MEGAOHMS MIN.
  - 1-4. LOW LEVEL CONTACT RESISTANCE:50MILLIOHMS INITIAL.
2. MECHANICAL CHARACTERISTICS:
- 2-1. MATING FORCES:5 POUNDS(2.3kgf) MAX. WITH LATCH DEPRESSED.
  - 2-2. DURABILITY (INSERTION/WITHDRAWAL CYCLES):1000 CYCLES.
  - 3. OPERATING TEMPERATURE:-30°C TO +70°C.
  - 4. OTHER GENERAL SPEC. TO REFER "RA2105-000211F SPEC".
  - 5. TO CONFORM TO SINGATRON HAZARDOUS SUBSTANCE FREE SPEC.
  - 6. HALOGEN FREE PRODUCT IDENTIFICATION MARK ON PRODUCT: (C)
  - 7. HALOGEN FREE PRODUCT IDENTIFICATION LABEL ON PACKAGING: (C)
  - 8. FOR REFLOW SOLDERING LEAD-FREE PROCESS.
  - 9. PACKAGING:TAP&REEL.



ROCOMMENDED PCB LAYOUT  
TOP VIEW, TOL ±0.05

REV	ECN NO OR DESCRIPTION	REVISED	DATE
A	PRODUCT RELEASE	HEWEI	2013.08.09

NO	DESCRIPTION	QTY	MATERIAL	PLATING & COLOR
C	SHELL	1	SPCC 0.30T	NICKEL PLATED
B	TERMINAL	8	C5191-H 0.25T	GOLD FLUSH ON CONTACT AREA Tin PLATED ON SOLDER TAIL
A	BODY	1	PH401-30% OF VOLUM RESIN (H) U3941-0	BLACK

UNLESS OTHERWISE SPECIFIED TOLERANCES

Singatron Enterprise Co., Ltd.  
信登企業股份有限公司

DECIMALS:	ANGLES:	TITLE
X: ±0.5	X: ±2°	RJ45 CONNECTOR
X.X: ±0.3	X.X: ±1°	
X.XX: ±0.2		

CHKD	DATE	SCALE	UNIT	REV
WIKON	13/8/13	4:1	mm	A

APVD	DATE	SIZE	SHEET	REV
WIKON	13/8/13	A3	10F1	A

CUSTOMER COPY