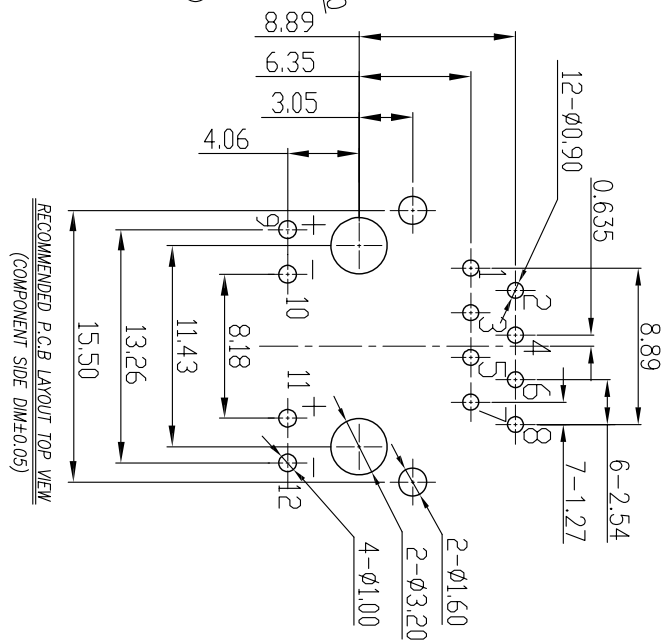
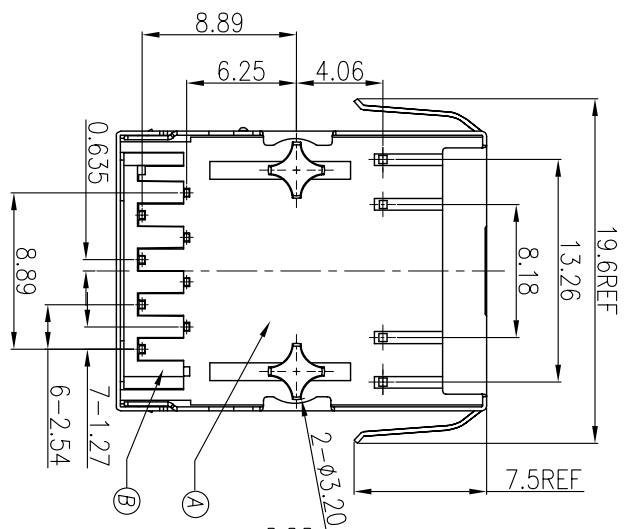
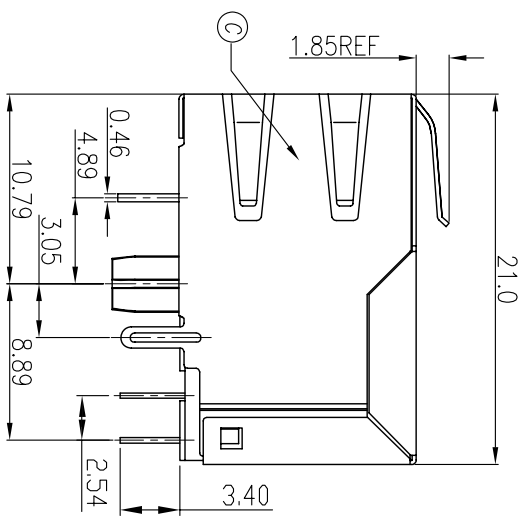
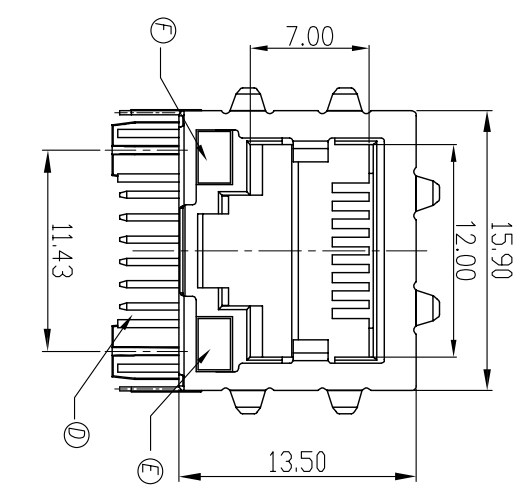


REV.	ECN NO OR DESCRIPTION	REVISED	DATE
A	INITIAL RELEASE	CHRIS	03/24/11
B	ECN:C120184 UPDATE DRAWING	ZW	2012.06.11

SPECIFICATIONS:

1. ELECTRICAL CHARACTERISTICS:
 - 1-1. VOLTAGE & CURRENT RATING: 150 VAC/1.5 AMPERES MAX.
 - 1-2. INSULATOR RESISTANCE: 500 Mohm Min.
 - 1-3. CONTACT RESISTANCE: 45 mohm Max.
 - 1-4. DIELECTRIC WITHSTANDING VOLTAGE: 500V RMS AFTER 1 MINUTE
2. DURABILITY TEST: 1500 CYCLES Min.
3. INSERTION FORCE: 0.30 OR MORE PER PIN.
4. OPERATING TEMPERATURE: -30~+70°.
5. HALOGEN PRODUCT IDENTIFICATION LABEL ON PACKAGING: **G.P. PASS**
6. PACKING: TRAY
7. PART NO: 2R12Y05-1 00 1 1 2 H

HOUSING MATERIAL
 1=PA46
 CONTACT AREA PLATED
 00=g/f
 LED TYPE
 1=W/ LED
 LEAD FREE CODE
 H = HALOGEN PRODUCT
 PACKAGE TYPE
 2=SOFT TRAY
 ON BOARD TYPE
 1=R/A



NO	DESCRIPTION	QTY	MATERIAL	PLATING & COLOR
F	LED 2	1	EXOP	GREEN
E	LED 1	1	EXOP	YELLOW
D	CONTACT	8	COPPER ALLOY	G/F PLATING AT CONTACT AREA, TIN PLATING ON TAIL.
C	SHELL	1	COPPER ALLOY	NI PLATED OVERALL
B	BACK COVER	1	THERMOPLASTIC	BLACK
A	HOUSING	1	THERMOPLASTIC	BLACK
NO	DESCRIPTION	QTY	MATERIAL	PLATING & COLOR

UNLESS OTHERWISE SPECIFIED TOLERANCES

DECIMALS:	ANGLES:	TITLE
X :±0.5	X :±2°	RJ45 CONNECTOR
X.X :±0.3	X.X :±1°	DWN ZW
X.XX :±0.2		CHKD KIM
		APVD SEAN

PART NO.	SCALE	UNIT	SHEET	REV.
2R12Y05-100112H	6:1	mm	10F1	B

CUSTOMER COPY