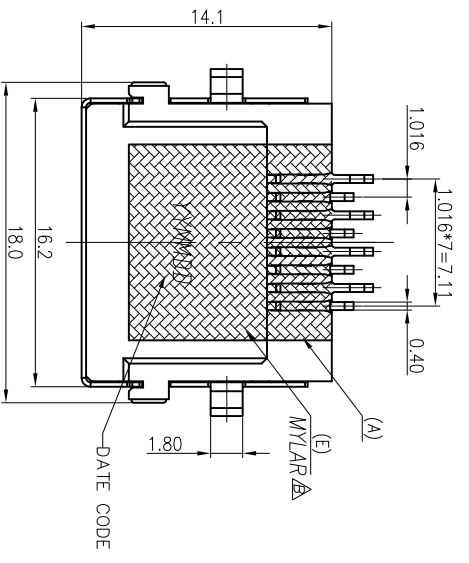
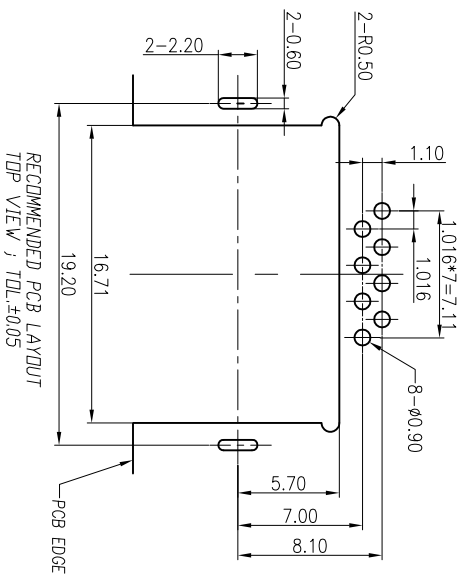
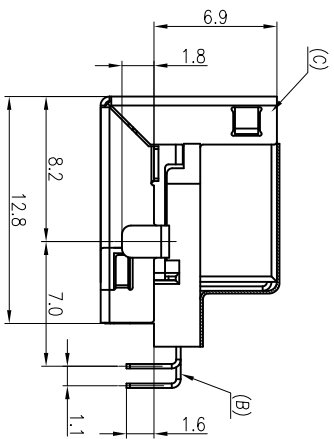
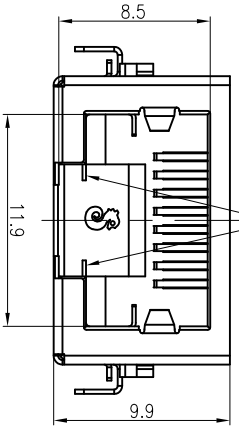


REV.	ECN NO	DR	DESCRIPTION	REVISED	DATE
A	PDR	ND	S101014-1A	DF	2011.01.09
B	ECN.S110416			JAMES	2011.04.14
C	ECN.S110809			Sam	2011.08.04

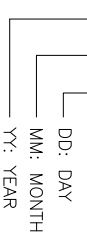


(D) (PREVENT RJ11 PLUG INTO MECHANISM)



SPECIFICATIONS:

- CURRENT RATING: 500mA.
- VOLTAGE WITHSTAND: 500V AC FOR ONE MINUTE.
- CONTACT RESISTANCE: 50mΩ MAX(INITIAL), 100mΩ MAX(AFTER LIFE TEST).
- INSULATION RESISTANCE: 100MΩ MIN. AT DC 100V.
- OPERATING TEMPERATURE: -50°C ~ +70°C.
- MARKING: MARK "S" ON THE CONNECTOR.
- PACKAGING: TAPE & REEL.
- TO CONFORM TO SINGATRON HAZARDOUS SUBSTANCE FREE SPEC.
- HALOGEN FREE PRODUCT IDENTIFICATION MARK ON PRODUCT: ○
- HALOGEN FREE PRODUCT IDENTIFICATION LOGO ON THE PACKAGING: ⊕
- FOR REFLOW SOLDERING LEAD-FREE PROCESS.
- ⊕ REPRESENT CRITICAL DIMENSION.
- PRINTED DATE CODE "YY MM DD" ON THE CONNECTOR.



NOTES:

- DIMENSION AND CHARACTERISTIC ARE COMPLIANT TO FCC 68.5 SUBPART F. MATCHING PLUG SHOULD FIT FCC 68.5 SUBPART F AS WELL.
- PRODUCT WITH RJ11 MISMAKING FUNCTION.

E	MYLAR	1	T:0.06mm	
D	LOCK	2	SUS 0.2t	
C	SHIELDING	1	SUS 0.25t	
B	BP8C CONTACT	8	PHOSPHOR BRONZE 0.25t	COIL FINISH ON CONTACT PART. Sn 100% ON SOLDER TAIL. ALL OTHER IN 500W.
A	BODY	1	HIGH TEMP.THERMOPLASTIC	UL 94V-0 & BLACK
NO	DESCRIPTION		MATERIAL	PLATING & COLOR
UNLESS OTHERWISE SPECIFIED TOLERANCES				
DECIMALS:		ANGLES:		
X	:±0.5	X	:±2°	
X.X	:±0.25	X.X	:±1°	
X.XXX	:±0.15			
X.XXX	:±0.10			
Singapore Enterprise Co., Ltd. 信亨企業股份有限公司				
TITLE		RJ45 JACK		
DWN	Sam	PART NO.	2RJ3008-008211F	
CHKD	JAMES	SCALE:	UNIT: mm	
APVD	TONY	SIZE:	SHEET: 1 / 1	REV: C
CUSTOMER COPY				