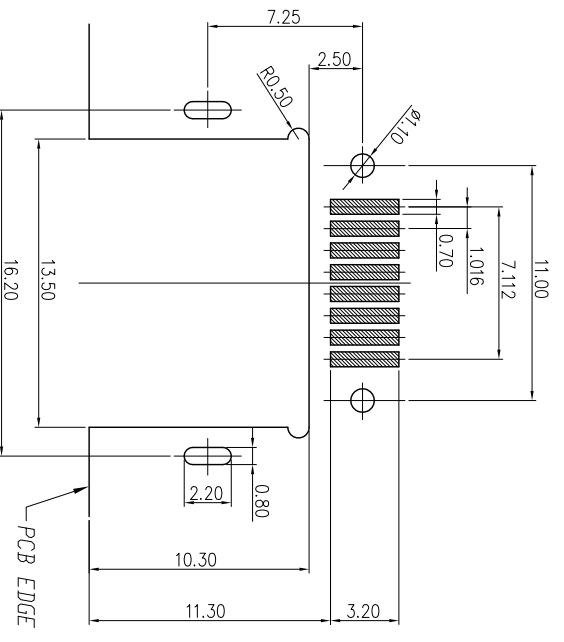
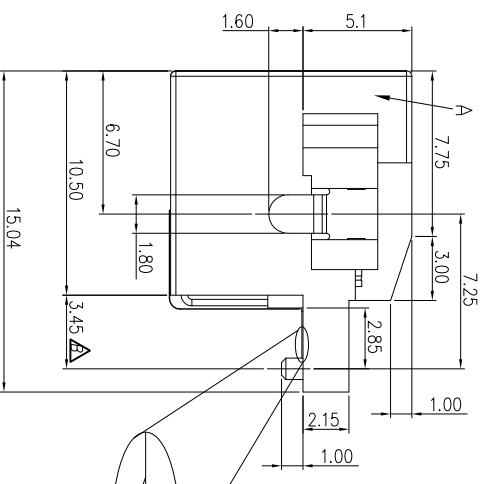
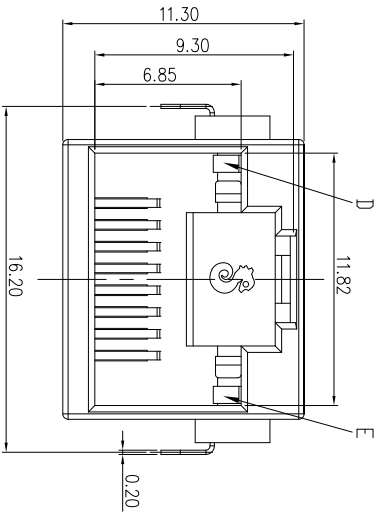
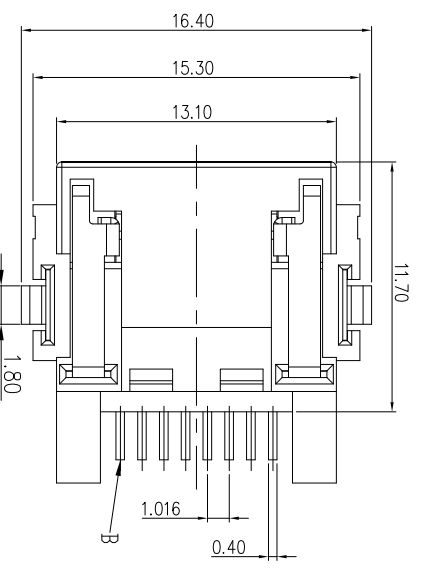


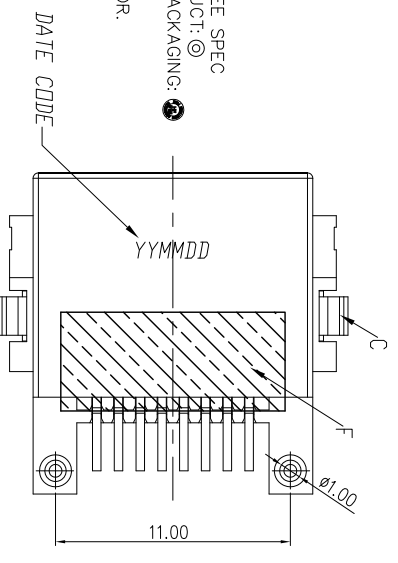
REV.	ECN NO.	DR.	DESCRIPTION	REVISED	DATE
A	PDR	ND/S101109-1A		DF	2011.01.10
B	ECN	ND/S110806		Sam	2011.08.22
C	ECR	ND/S121211		Solder	2013.01.17



0.10 MAX
ALL CONTACT SOLDER TAIL

RECOMMENDED PCB LAYOUT
TOP VIEW ; TOL:±0.05

- SPECIFICATIONS:
1. DIELECTRIC STRENGTH: AC 500V FOR ONE MINUTE
 2. INSULATION RESISTANCE: 100MΩ MIN. AT DC 100V.
 3. CONTACT RESISTANCE: 50mΩ MAX(INITIAL).
 4. CURRENT RATING: 500mA
 5. OPERATING TEMPERATURE:-30 ~ +85°C
 6. MARKING: MARK "S"
 7. PACKAGING : TAPE & REEL.
 8. TO CONFORM TO SINGATRON HAZARDOUS SUBSTANCE FREE SPEC
 9. HALOGEN FREE PRODUCT IDENTIFICATION MARK ON PRODUCT:Ⓢ
 10. HALOGEN FREE PRODUCT IDENTIFICATION LOGO ON THE PACKAGING:Ⓢ
 11. FOR LEAD-FREE PROCESS.
 12. PRINTED DATE CODE" YY MM DD " ON TOP OF CONNECTOR.



F	MYLAR	1		YELLOW
E	LOCK-R	1	SUS 0.3t	
D	LOCK-L	1	SUS 0.3t	
C	LATCH	2	COPPER ALLOY 0.2t	Sr 120° ON SOLDER TAIL, ALL OTHER IN 500.0mm
B	8P8C CONTACT	8	PHOSPHOR BRONZE 0.3t	200μ FLASH ON CONTACT AREA Sr 120° ON SOLDER TAIL
A	BODY	1	HIGH TEMP THERMOPLASTIC	UL 94V-0 & BLACK ALL OTHER IN 500.0mm
NO	DESCRIPTION	QTY	MATERIAL	PLATING & COLOR
UNLESS OTHERWISE SPECIFIED TOLERANCES				
DECIMALS: ANGLES:				
X	:±0.5	X	:±2°	
X.X	:±0.25	X.X	:±1°	
X.XX	:±0.15			
X.XXX	:±0.1			
TITLE: R045 JACK				
DWM: Soldier PART NO. 2RU3009-008211F				
CHKD: Boye SCALE: 4:1 UNIT: mm				
APVD: Boye SIZE: A3 SHEET: 1 / 1 REV: C				
CUSTOMER COPY				

Singatron Enterprise Co., Ltd.
信亨企業股份有限公司

