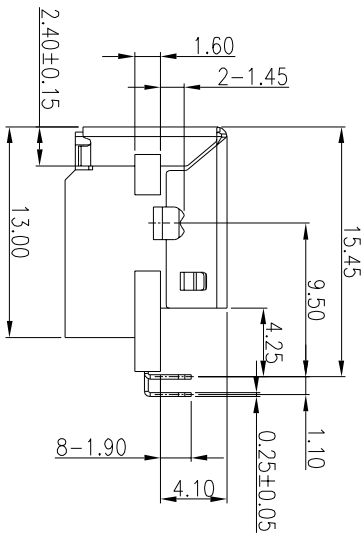
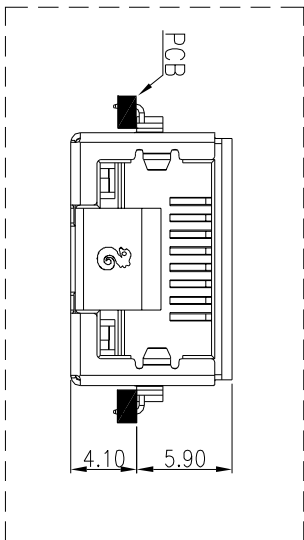
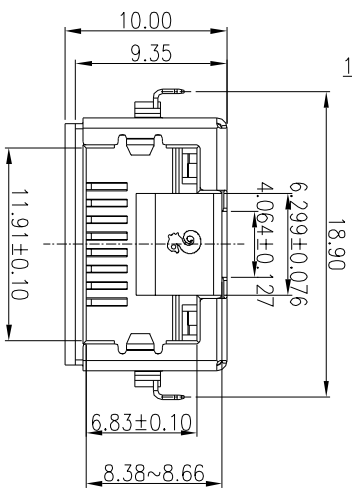
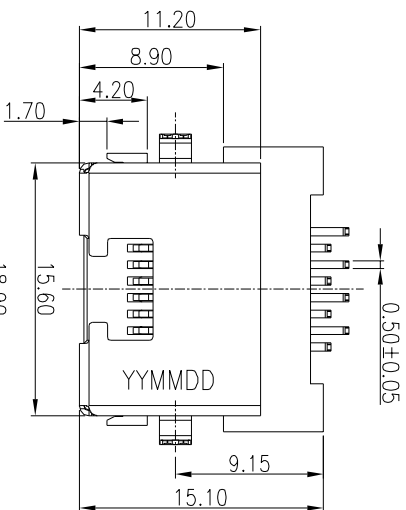
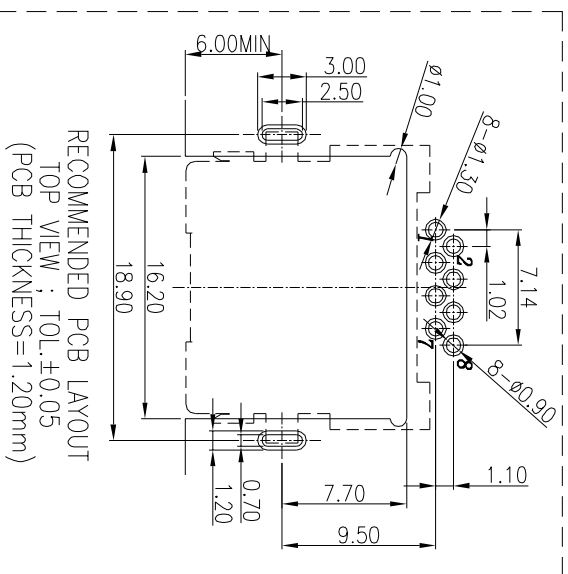
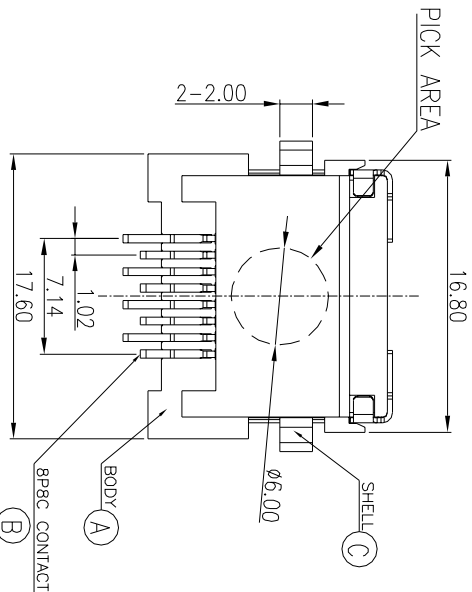


REV.	ECN NO OR DESCRIPTION	REVISED	DATE
A	PDR NO:S171101-1A	JAMES	2018.03.15



**SPECIFICATIONS:**

- ELECTRICAL CHARACTERISTICS:**
  - CURRENT RATING: 1.5A MAX.
  - VOLTAGE RATING: 150VAC MAX.
  - CONTACT RESISTANCE : 50mΩ MAX.(INITIAL), 100mΩ MAX.(AFTER LIFE TEST).
  - INSULATION RESISTANCE : 100MΩ MIN.
- MECHANICAL CHARACTERISTICS:**
  - DURABILITY: 5000 CYCLES.
  - INSERTION FORCE: 2.25kg MAX. WITH LATCH DEPRESSED.
  - WITHDRAWAL FORCE: 4.5kg MAX. WITH LATCH DEPRESSED.
  - OPERATING TEMPERATURE: -30c ~ +70c.
- MARKING: MARK "Ⓢ" INSIDE OF THE CONNECTOR.
- PACKAGING : TAPE & REEL.
- TO CONFORM TO SINGATRON HAZARDOUS SUBSTANCE FREE SPEC.
- HALOGEN FREE PRODUCT IDENTIFICATION
- HALOGEN FREE PRODUCT IDENTIFICATION LOGO ON THE PACKAGING:
- FOR REFLOW SOLDERING LEAD-FREE PROCESS.
- PRINTED DATE CODE "YY MM DD " ON TOP OF THE CONNECTOR.



NO	DESCRIPTION	QTY	MATERIAL	PLATING & COLOR
C	SHELL	1	STEEL T:0.30mm	NI PLATING ALL OVER
B	BRPC CONTACT	8	PHOSPHOR BRONZE 0.25T	50" Au ON CONTACT AREA: MoTe Sn 120" ON SOLDER TAIL: ALL OVER Ni 50"MIN.
A	BODY	1	HIGH TEMP.THERMOPLASTIC	UL 94V-0 & BLACK

UNLESS OTHERWISE SPECIFIED TOLERANCES

Singatron Enterprise Co., Ltd.  
信晋企业股份有限公司

DECIMALS:	ANGLES:	TITLE	PART NO.	UNIT:	SHEET:1 / 1	REV: A
X :±0.5	X :±2°	DWM	James	mm		
X.X :±0.3	X.X :±1°	CHKD				
X.XX :±0.2		APVD	Boye			

RJ45 JACK  
PART NO. 2RJ3020-028111F  
SCALE 4:1  
SIZE: A3  
CUSTOMER COPY