

RECOMMENDED PCB LAYOUT
TOP VIEW: TOL.±0.05
(PCB THICKNESS=1.20mm)

SPECIFICATIONS:

- ELECTRICAL CHARACTERISTICS:
 - CURRENT RATING: 1.5A MAX.
 - VOLTAGE RATING: 150V MAX.
 - CONTACT RESISTANCE: 50mΩ MAX.(INITIAL), 100mΩ MAX.(AFTER LIFE TEST).
 - INSULATION RESISTANCE: 100MΩ MIN.
- MECHANICAL CHARACTERISTICS:
 - DURABILITY: 5000 CYCLES.
 - INSERTION FORCE: 2.25kg MAX. WITH LATCH DEPRESSED.
 - WITHDRAWAL FORCE: 4.5kg MAX. WITH LATCH DEPRESSED.
 - OPERATING TEMPERATURE: -30°C ~ +70°C.
- MARKING: MARK "S" INSIDE OF THE CONNECTOR.
- PACKAGING: TAPE & REEL.
- TO CONFORM TO SINGATRON HAZARDOUS SUBSTANCE FREE SPEC.
- HALOGEN FREE PRODUCT IDENTIFICATION
- HALOGEN FREE PRODUCT IDENTIFICATION LOGO
- ON THE PACKAGING:
- FOR REFLOW SOLDERING LEAD-FREE PROCESS.
- PRINTED DATE CODE "YY MM DD" ON TOP OF THE CONNECTOR.

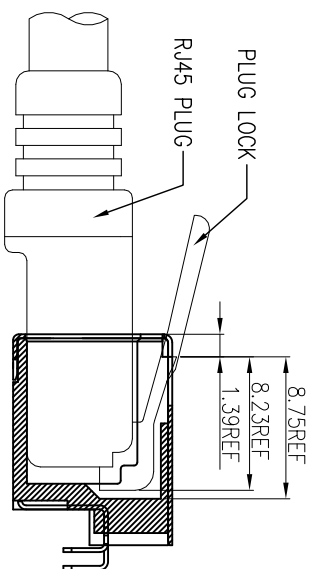


E	LOCK-L	1	Stainless Steel	
D	LOCK-R	1	Stainless Steel	
C	SHELL	1	Stainless Steel	
B	8P8C CONTACT	8	PHOSPHOR BRONZE 0.25t	50" Au ON CONTACT AREA; Watte Sn 120u" ON SOLDER TAIL; ALL OVER Ni 50u"MIN.
A	BODY	1	HIGH TEMP.THERMOPLASTIC	UL 94V-0 & BLACK
NO DESCRIPTION		QTY	MATERIAL	PLATING & COLOR
UNLESS OTHERWISE SPECIFIED TOLERANCES				
DECIMALS:		ANGLES:		
X	±0.5	X	±2°	
X.X	±0.3	X.X	±1°	
X.XX	±0.2			
TITLE		R445 JACK		
DWN	Solder	PART NO. 2R3028-008411F		
CHKD	Boye	SCALE 4:1 UNIT: mm		
APVD	Boye	SIZE: A3	SHEET: 1 / 2	REV: B
SINGATRON ENTERPRISE CO., LTD. 信晉企業股份有限公司				
CUSTOMER COPY				

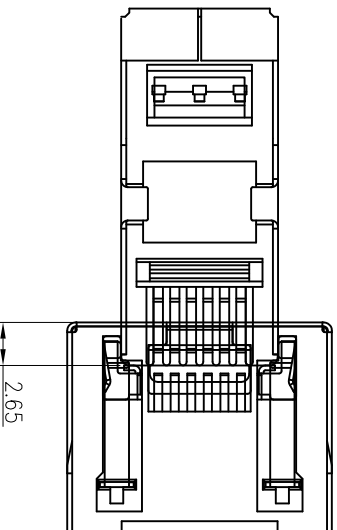
REV.	ECN NO. OR DESCRIPTION	REVISED	DATE
A	PDR NO: T120305-1A	Sam	2012.05.30
B	ECR NO: S121211	Solder	2013.01.17

REV.	ECN NO.	OR DESCRIPTION	REVISED	DATE
A	PDR NO: T120305-1A		Sam	2012.05.30
B	ECR NO: S121211		Soldier	2013.01.17

公母對插示意圖



RJ45 示意圖



NO	DESCRIPTION	QTY	MATERIAL	PLATING & COLOR
UNLESS OTHERWISE SPECIFIED TOLERANCES				
DECIMALS:		ANGLES:		
X : ±0.5		X : ±2°		
X.X : ±0.3		X.X : ±1°		
X.XX : ±0.2				
TITLE		RJ45 JACK		
DWN	Soldier	PART NO.	2RU3028-008411F	
CHKD	Boye	SCALE	4:1 UNIT: mm	
APVD	Boye	SIZE:	A3	SHEET: 2 / 2 REV: B
CUSTOMER COPY				

NO	DESCRIPTION	QTY	MATERIAL	PLATING & COLOR
UNLESS OTHERWISE SPECIFIED TOLERANCES				
DECIMALS:		ANGLES:		
X : ±0.5		X : ±2°		
X.X : ±0.3		X.X : ±1°		
X.XX : ±0.2				
TITLE		RJ45 JACK		
DWN	Soldier	PART NO.	2RU3028-008411F	
CHKD	Boye	SCALE	4:1 UNIT: mm	
APVD	Boye	SIZE:	A3	SHEET: 2 / 2 REV: B
CUSTOMER COPY				