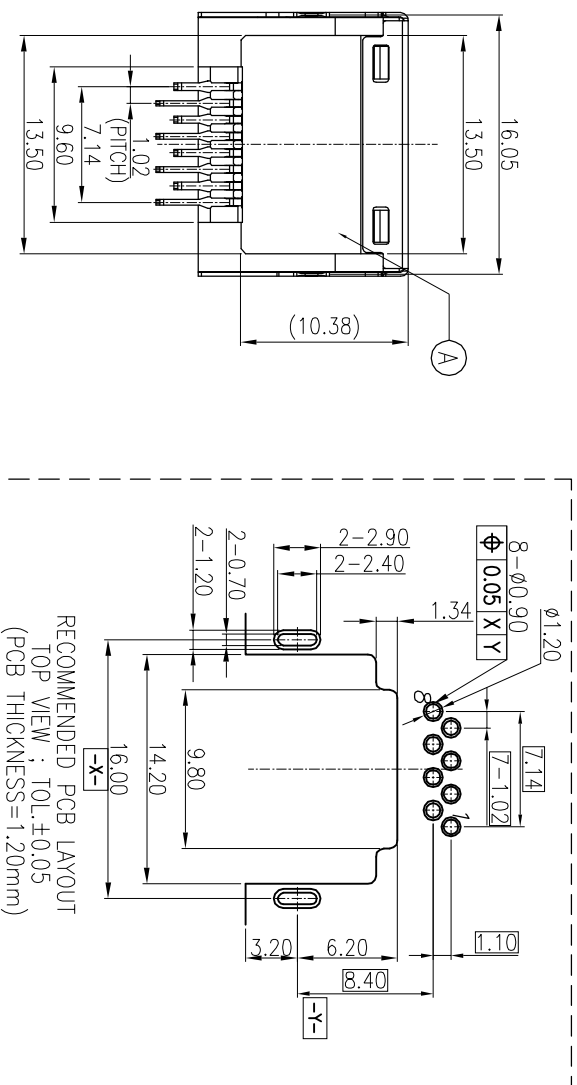
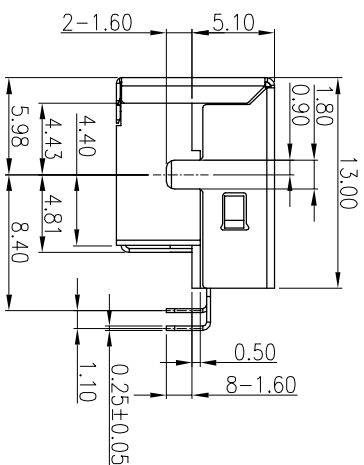
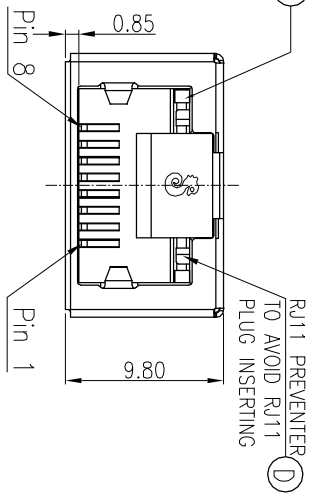
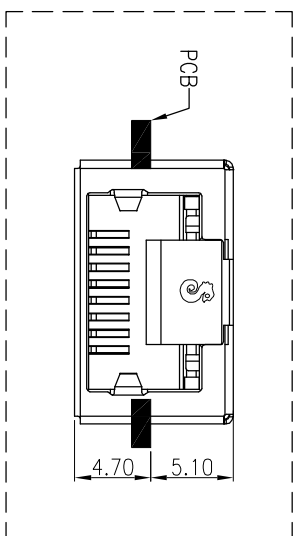
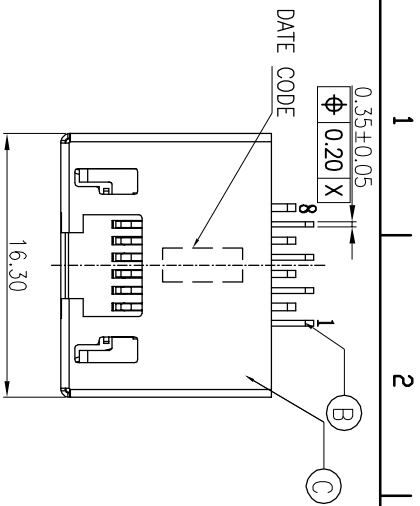


REV.	ECN NO.	OR DESCRIPTION	REVISED	DATE
A	PDR NO:	T181107-1A	PAN	219.05.28



RECOMMENDED PCB LAYOUT
TOP VIEW ; TOL.±0.05
(PCB THICKNESS=1.20mm)

SPECIFICATIONS:

- ELECTRICAL CHARACTERISTICS:
 - CURRENT RATING: 1.5A MAX.
 - VOLTAGE RATING: 150V MAX.
 - CONTACT RESISTANCE: 50mΩ MAX.(INITIAL), 100mΩ MAX.(AFTER LIFE TEST).
 - INSULATION RESISTANCE: 100MΩ MIN.
- MECHANICAL CHARACTERISTICS:
 - DURABILITY: 5000 CYCLES.
 - INSERTION FORCE: 2.25kg MAX. WITH LATCH DEPRESSED.
 - WITHDRAWAL FORCE: 4.5kg MAX. WITH LATCH DEPRESSED.
 - OPERATING TEMPERATURE: -30°C ~ +70°C.
- MARKING: MARK " " INSIDE OF THE CONNECTOR.
- PACKAGING: TAPE & REEL.
- TO CONFORM TO SINGATRON HAZARDOUS SUBSTANCE FREE SPEC.
- HALOGEN FREE PRODUCT IDENTIFICATION
- HALOGEN FREE PRODUCT IDENTIFICATION LOGO ON THE PACKAGING:
- FOR REFLOW SOLDERING LEAD-FREE PROCESS.
- PRINTED DATE CODE "YY MM DD" ON TOP OF THE CONNECTOR.



NO	DESCRIPTION	QTY	MATERIAL
E	LOCK-L	1	SUS304-1/2H
D	LOCK-R	1	SUS304-1/2H
C	SHELL	1	SUS301-1/2H
B	8P8C CONTACT	8	C6210-EH
A	BODY	1	LCP E130+30%GF

UNLESS OTHERWISE SPECIFIED TOLERANCES

DECIMALS:	ANGLES:
X : ±0.5	X : ±2°
X.X : ±0.3	X.X : ±1°
X.XX : ±0.2	

TITLE	R445 JACK
DWN	PAN
CHKD	JAMES
APVD	BOYE

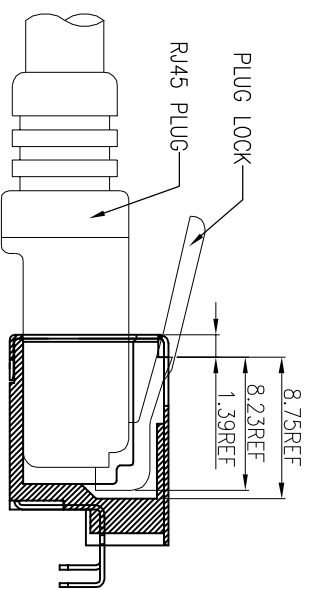
Singatron Enterprise Co., Ltd
信亨企業股份有限公司

PART NO. 2RJ3028-018211F
SCALE 4:1
UNIT: mm
SHEET: 1 / 2
REV: A

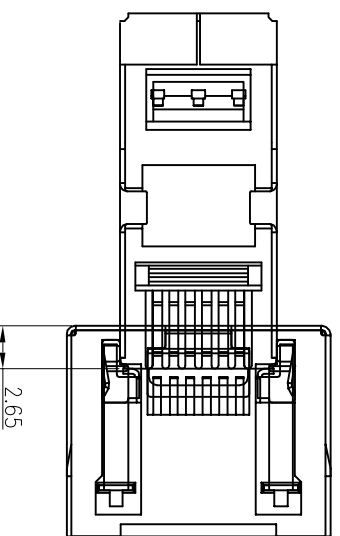
CUSTOMER COPY

REV.	ECN NO.	OR DESCRIPTION	REVISED	DATE
A	PDR NO:	T181107-1A	PAN	2019.05.28

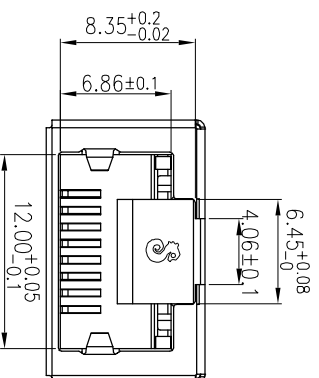
公母對插示意圖



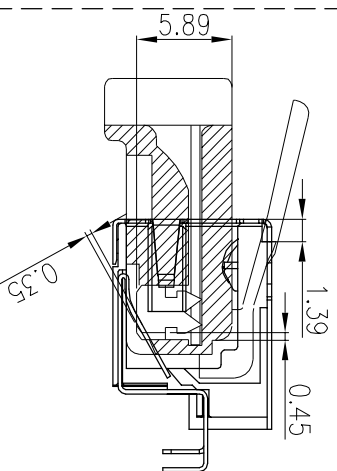
防R11示意圖



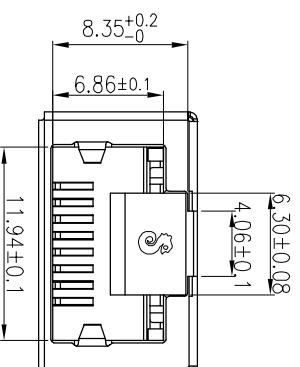
Before IR Reflow Dimensions Spec



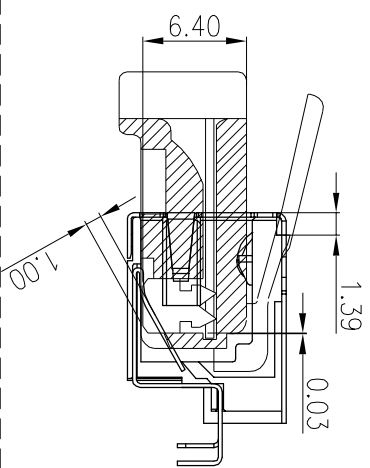
5.89 Plug Worst case 分析



After IR Reflow Dimensions Spec



6.40 Plug Worst case 分析



NO.	DESCRIPTION	QTY	MATERIAL	PLATING & COLOR
UNLESS OTHERWISE SPECIFIED TOLERANCES				
DECIMALS:	ANGLES:		Singapore Enterprise Co., Ltd 信晉企業股份有限公司	
X : ±0.5	X : ±2°		TITLE R45 JACK	
X.X : ±0.3	X.X : ±1°		DWM pan	PART NO. 2RJ3028-018211F
X.XX : ±0.2			CHKD James	SCALE 4:1 UNIT: mm
			APVD boye	SIZE: A3 SHEET: 2 / 2 REV: A
CUSTOMER COPY				