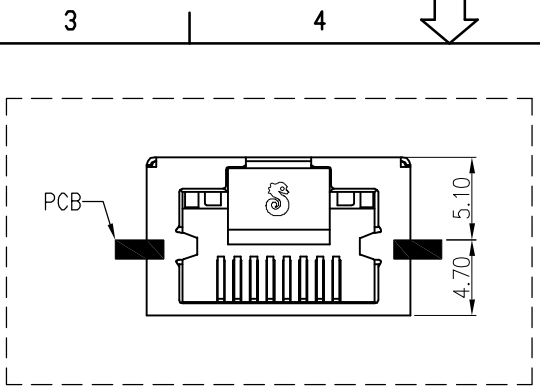
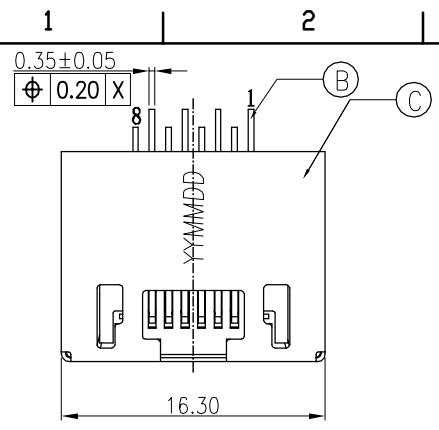


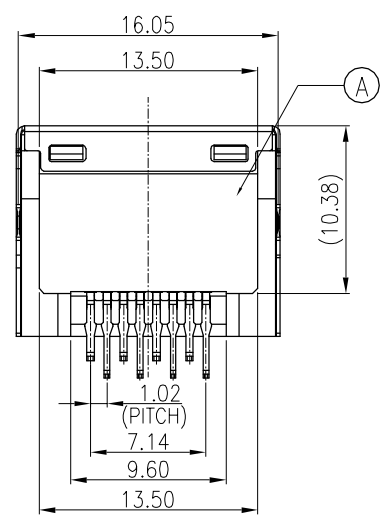
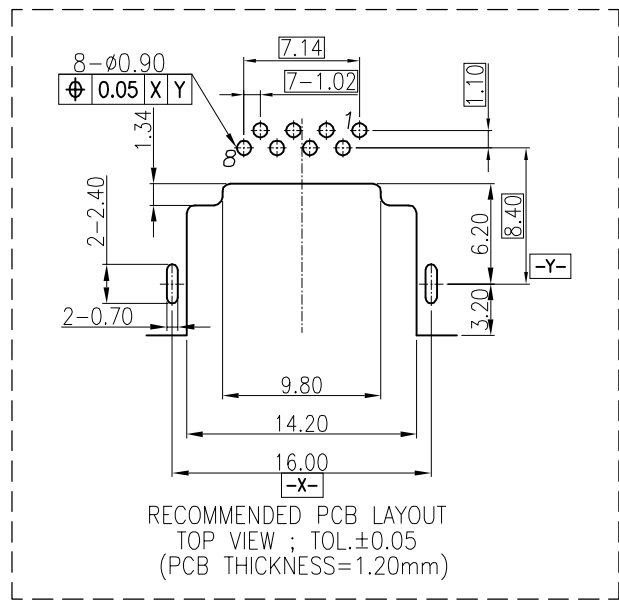
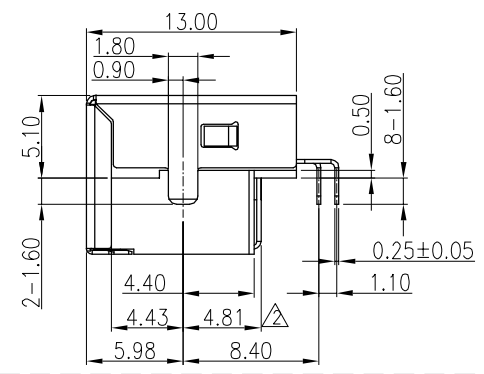
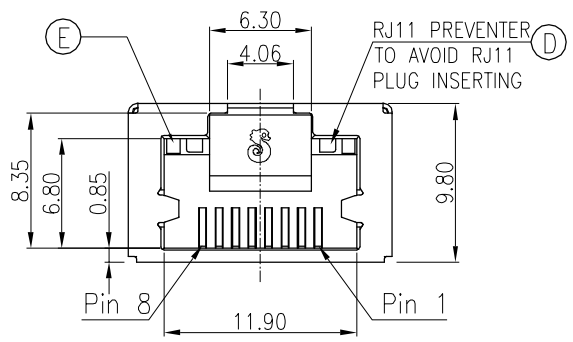
REV.	ECN NO OR DESCRIPTION	REVISED	DATE
A	PDR NO:T150813-1A	ALLEN	2016.04.13



SPECIFICATIONS:

- ELECTRICAL CHARACTERISTICS:
 - CURRENT RATING: 1.5A MAX.
 - VOLTAGE RATING: 150V MAX.
 - CONTACT RESISTANCE : 50mΩ MAX.(INITIAL).
100mΩ MAX.(AFTER LIFE TEST).
 - INSULATION RESISTANCE : 100MΩ MIN.
- MECHANICAL CHARACTERISTICS:
 - DURABILITY: 5000 CYCLES.
 - INSERTION FORCE: 2.25Kg MAX. WITH LATCH DEPRESSED.
 - WITHDRAWAL FORCE: 4.5Kg MAX. WITH LATCH DEPRESSED.
 - OPERATING TEMPERATURE: -30℃ ~ +70℃.
- MARKING: MARK "S" INSIDE OF THE CONNECTOR.
- PACKAGING : TAPE & REEL.
- TO CONFORM TO SINGATRON HAZARDOUS SUBSTANCE FREE SPEC.
- HALOGEN FREE PRODUCT IDENTIFICATION
MARK ON PRODUCT: ○
- HALOGEN FREE PRODUCT IDENTIFICATION LOGO
ON THE PACKAGING: ⊗
- FOR REFLOW SOLDERING LEAD-FREE PROCESS.
- PRINTED DATE CODE" YY MM DD " ON TOP OF THE CONNECTOR.

DD: DAY
MM: MONTH
YY: YEAR



E	LOCK-L	1	Stainless Steel	
D	LOCK-R	1	Stainless Steel	
C	SHELL	1	Stainless Steel	NI PLATING ALL OVER
B	8P8C CONTACT	8	PHOSPHOR BRONZE 0.25t	5U" Au ON CONTACT AREA; Matte Sn 120u" ON SOLDER TAIL; ALL OVER Ni 50u"MIN.
A	BODY	1	HIGH TEMP.THERMOPLASTIC	UL 94V-0 & BLACK
NO	DESCRIPTION	QTY	MATERIAL	PLATING & COLOR
UNLESS OTHERWISE SPECIFIED TOLERANCES			Singatron Enterprise Co., Ltd. 	
DECIMALS:		ANGLES:		TITLE
X	:±0.5	X	:±2°	RJ45 JACK
X.X	:±0.3	X.X	:±1°	DWN ALLEN PART NO. 2RJ3028-018411F
X.XX	:±0.2			CHKD JAMES SCALE 4:1 UNIT: mm
				APVD BOYE SIZE: A3 SHEET:1 / 2 REV: A
CUSTOMER COPY				

1

2

3

4

5

6

7

8

REV.	ECN NO OR DESCRIPTION	REVISED	DATE
A	PDR NO:T1150813-1A	ALLEN	2016.04.13

F

E

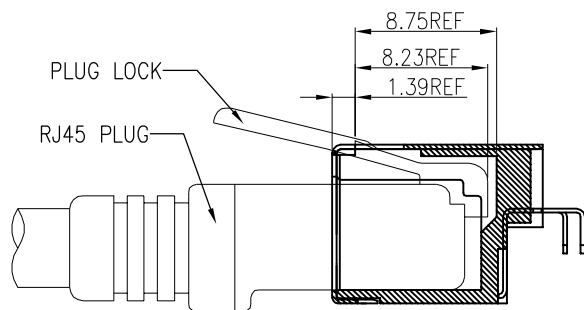
D

C

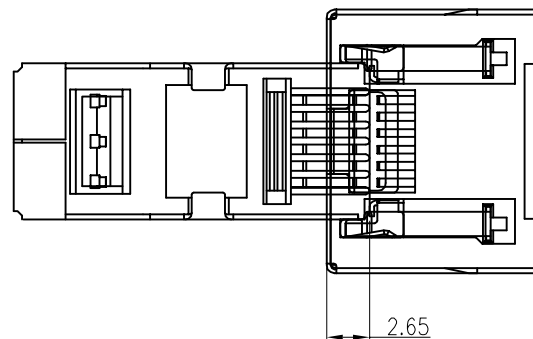
B


A

公母對插示意圖



防RJ11示意圖



NO	DESCRIPTION	QTY	MATERIAL	PLATING & COLOR
UNLESS OTHERWISE SPECIFIED TOLERANCES			 Singatron Enterprise Co., Ltd. 信音企業股份有限公司	
DECIMALS:		ANGLES:		TITLE
X	±0.5	X	±2°	RJ45 JACK
X.X	±0.3	X.X	±1°	DWN ALLEN PART NO. 2RJ3028-018411F
X.XX	±0.2	APVD BOYE		SCALE 4:1 UNIT: mm
				SHEET: 2 / 2 REV: A
CUSTOMER COPY				

1

2

3

4

5

6

7

8