

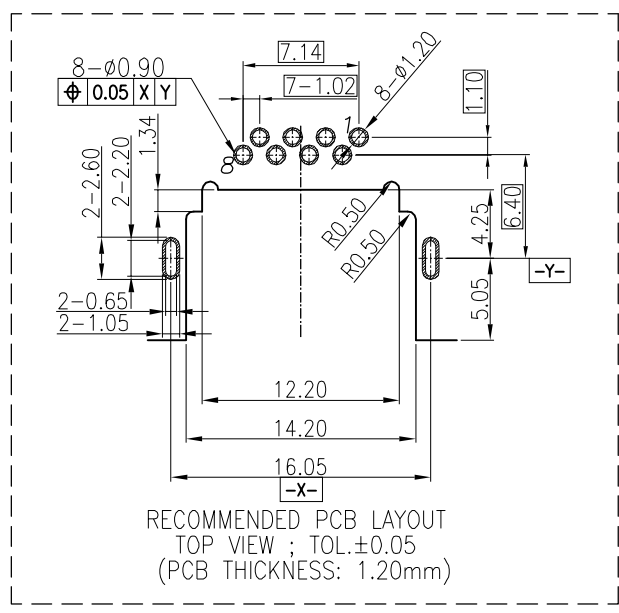
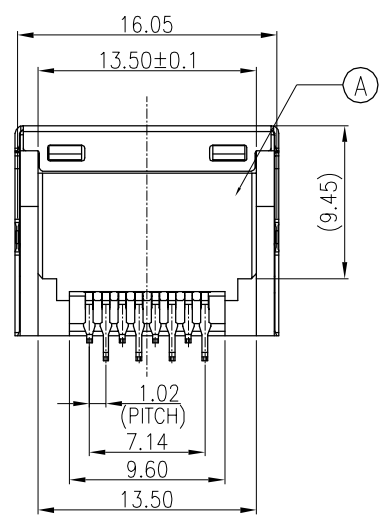
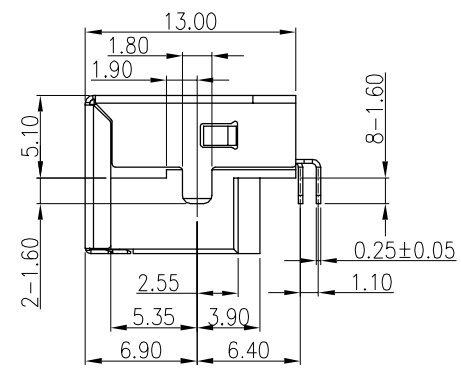
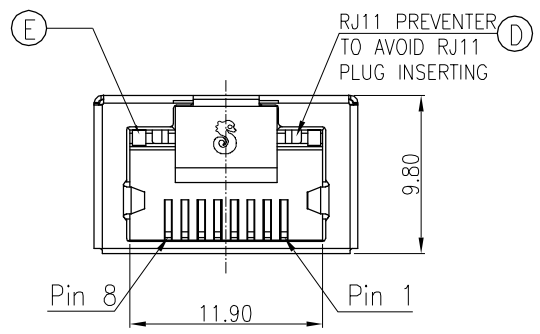
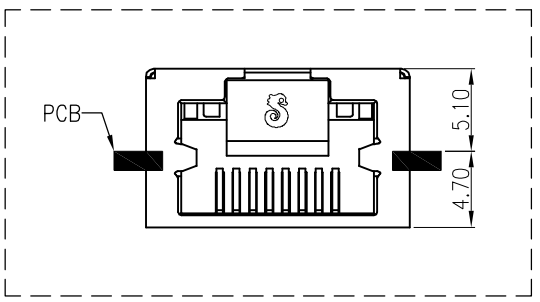
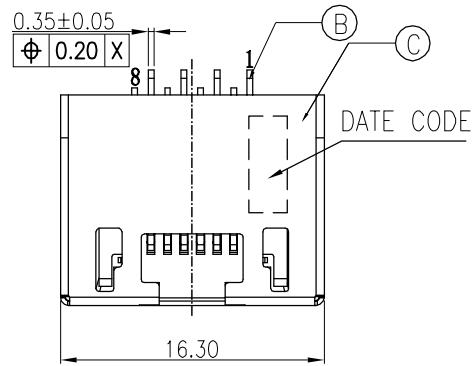


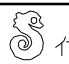

REV.	ECN NO OR DESCRIPTION	REVISED	DATE
C	ECN NO:S202101-C04	XIAO	2021.01.11
D	ECN NO:S202104-R22	XIAO	2021.07.07
E	ECN NO:S202107-R22	XIAO	2021.09.01

SPECIFICATIONS:

- ELECTRICAL CHARACTERISTICS:
 - CURRENT RATING: 1.5A Max.
 - VOLTAGE RATING: 150V Max.
 - CONTACT RESISTANCE: 50mΩ Max.(INITIAL).
100mΩ Max.(AFTER LIFE TEST).
 - INSULATION RESISTANCE: 100MΩ Min.
- MECHANICAL CHARACTERISTICS:
 - DURABILITY: 5000 CYCLES.
 - INSERTION FORCE: 2.25Kg Max. WITH LATCH DEPRESSED.
 - WITHDRAWAL FORCE: 4.5Kg Max. WITH LATCH DEPRESSED.
 - OPERATING TEMPERATURE: -30℃ ~ +70℃.
- MARKING: MARK "S" INSIDE OF THE CONNECTOR.
- PACKAGING: TAPE & REEL.
- TO CONFORM TO SINGATRON HAZARDOUS SUBSTANCE FREE SPEC.
- HALOGEN FREE PRODUCT IDENTIFICATION MARK ON PRODUCT: 
- HALOGEN FREE PRODUCT IDENTIFICATION LOGO ON THE PACKAGING: 
- FOR REFLOW SOLDERING LEAD-FREE PROCESS.
- PRINTED DATE CODE "YY MM DD" ON TOP OF THE CONNECTOR.

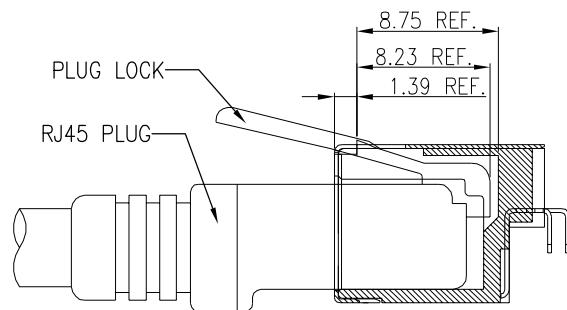
DD: DAY
MM: MONTH
YY: YEAR



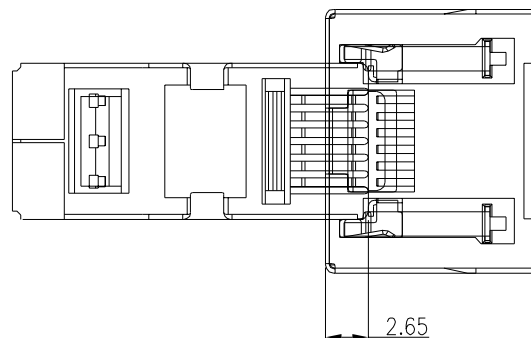
E	LOCK-L	1	Stainless Steel	N/A
D	LOCK-R	1	Stainless Steel	N/A
C	SHELL	1	Stainless Steel	60µin Min. Solderable Nickel plating.
B	8PBC Terminal	8	PHOSPHOR BRONZE 0.25T	5µin Min. Gold plating on contact area, 120µin Min. Matte Tin plating on solder tail area, and 50µin Min. Nickel under plating.
A	BODY	1	HIGH TEMP.THERMOPLASTIC UL 94V-0	BLACK
NO	DESCRIPTION	QTY	MATERIAL	PLATING & COLOR
UNLESS OTHERWISE SPECIFIED TOLERANCES			 Singatron Enterprise Co., Ltd.  信音企業股份有限公司	
DECIMALS:		ANGLES:		TITLE
X	:±0.5	X	:±2°	RJ45 JACK
X.X	:±0.3	X.X	:±1°	DWN XIAO PART NO. 2RJ3028-028411F
X.XX	:±0.2			CHKD ALLEN SCALE 4:1 UNIT: mm
		APVD	BOYE	SIZE: A3 SHEET:1 / 2 REV: E
CUSTOMER COPY				


REV.	ECN NO OR DESCRIPTION	REVISED	DATE
C	ECN NO:S202101-C04	XIAO	2021.01.11
D	ECN NO:S202104-R22	XIAO	2021.07.07
E	ECN NO:S202107-R22	XIAO	2021.09.01

公母對插示意圖



防R J11 示意圖



NO	DESCRIPTION	QTY	MATERIAL	PLATING & COLOR		
UNLESS OTHERWISE SPECIFIED TOLERANCES			 Singatron Enterprise Co., Ltd. 信音企業股份有限公司			
DECIMALS:		ANGLES:	TITLE	RJ45 JACK		
X	:±0.5	X	:±2°	DWN	XIAO	PART NO. 2RJ3028-028411F
X.X	:±0.3	X.X	:±1°	CHKD	ALLEN	SCALE 4:1 UNIT: mm
X.XX	:±0.2			APVD	BOYE	SIZE: A3 SHEET: 2 / 2 REV: E
CUSTOMER COPY						