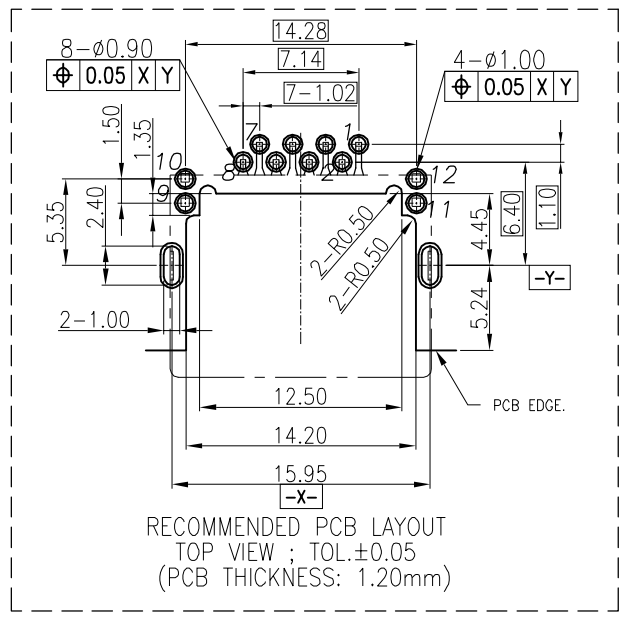
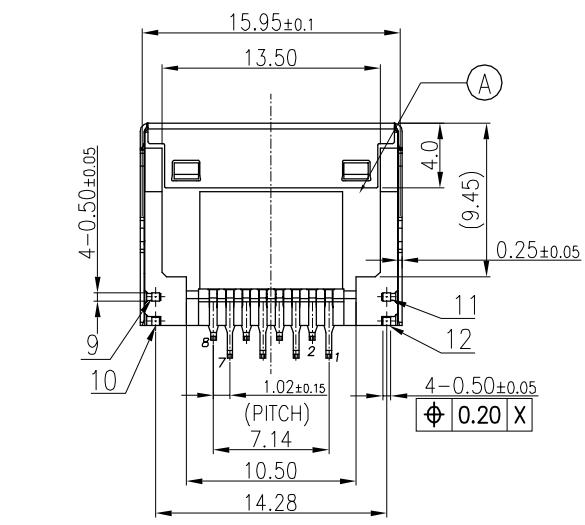
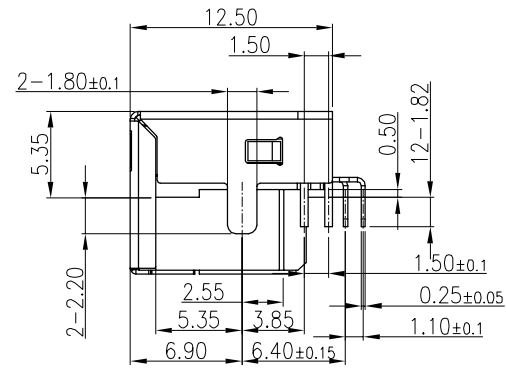
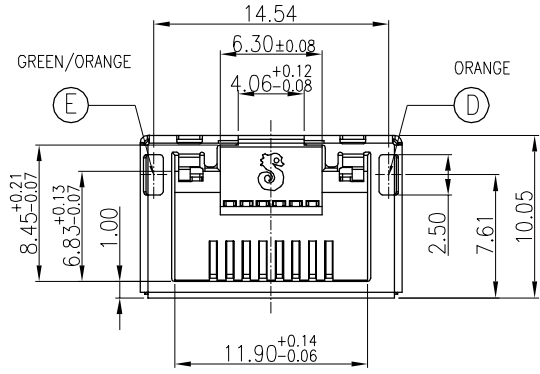
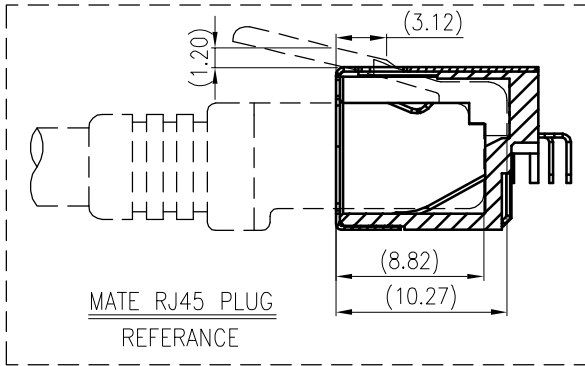
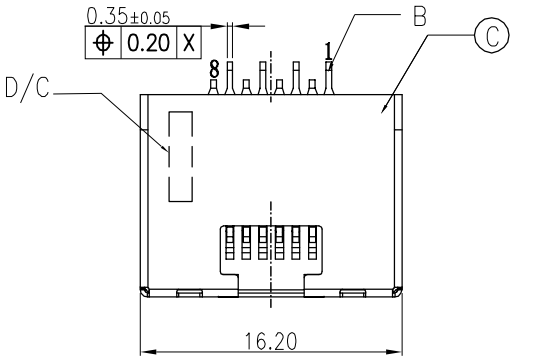


REV.	ECN NO OR DESCRIPTION	REVISED	DATE
A	PDR NO:T210809-2A/2B	XIAO	2021.12.02



SPECIFICATIONS:

- ELECTRICAL CHARACTERISTICS:
  - CURRENT RATING: 0.5A Max.
  - VOLTAGE RATING: 150V Max.
  - CONTACT RESISTANCE : 50mΩ Max.(INITIAL).  
100mΩ Max.(AFTER LIFE TEST).
  - INSULATION RESISTANCE : 100MΩ Min.
- MECHANICAL CHARACTERISTICS:
  - DURABILITY: 5000 CYCLES.
  - INSERTION FORCE: 2.25Kg Max. WITH LATCH DEPRESSED.
  - WITHDRAWAL FORCE: 4.5Kg Max. WITH LATCH DEPRESSED.
  - OPERATING TEMPERATURE: -30℃ ~ +70℃.
- MARKING: MARK "S" INSIDE OF THE CONNECTOR.
- PACKAGING: TAPE & REEL.
- TO CONFORM TO SINGATRON HAZARDOUS SUBSTANCE FREE SPEC.
- HALOGEN FREE PRODUCT IDENTIFICATION MARK ON PRODUCT:
- HALOGEN FREE PRODUCT IDENTIFICATION LOGO ON THE PACKAGING:
- Resistance to solder heat(IR reflow):260C, 5sec
- PRINTED DATE CODE" YY MM DD " ON TOP OF THE CONNECTOR.

DD: DAY  
MM: MONTH  
YY: YEAR

NODE	COLOR	Wavelength	Table
12(-) 11(+)	ORANGE	11-12 600~612 (nm)	2RJ3029-108X11F 1.30in Min. Gold plating on contact area. 2:G/F Plating on contact area.
10(-) 9(+)	GREEN	9-10 565~574 (nm)	
10(+)	ORANGE	10-9 600~612 (nm)	

NO	DESCRIPTION	QTY	MATERIAL	PLATING & COLOR
E	LED	1	GREEN	支架鍍Sn80u"Min.
D	LED	1	ORANGE	支架鍍Sn80u"Min.
C	SHELL	1	STEEL	NI PLATING ALL OVER
B	8PBC Terminal	8	PHOSPHOR BRONZE	See Table 120uin Min. Matte Tin plating on solder tail area, and 50uin Min. Nickel under plating.
A	BODY	1	HIGH TEMP.THERMOPLASTIC	BLACK UL 94V-0

UNLESS OTHERWISE SPECIFIED TOLERANCES

Singatron Enterprise Co., Ltd.  
信音企業股份有限公司

DECIMALS:	ANGLES:	TITLE	RJ45 JACK		
X : ±0.50	X : ±2°	DWN	xiao	PART NO.	2RJ3029-108X11F
X.X : ±0.30	X.X : ±1°	CHKD	allen	SCALE 4:1	UNIT: mm
X.XX : ±0.20		APVD	boye	SIZE: A3	SHEET: 1 / 1
					REV: A
					CUSTOMER COPY