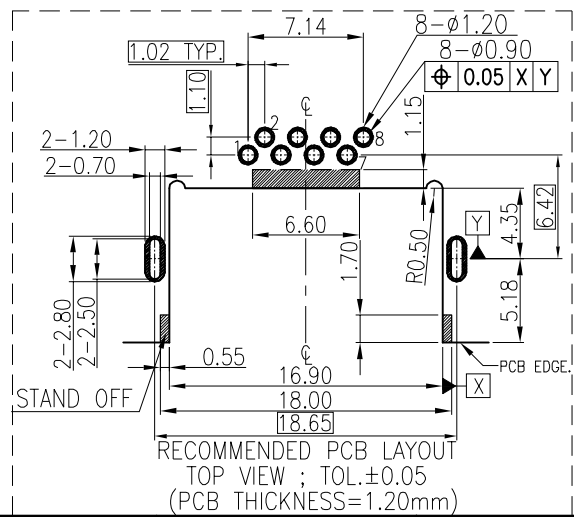
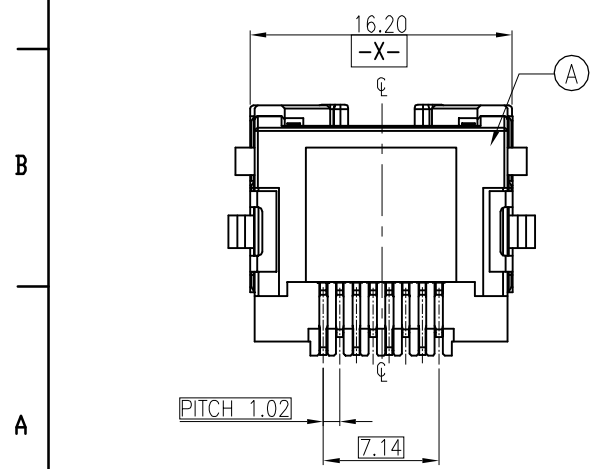
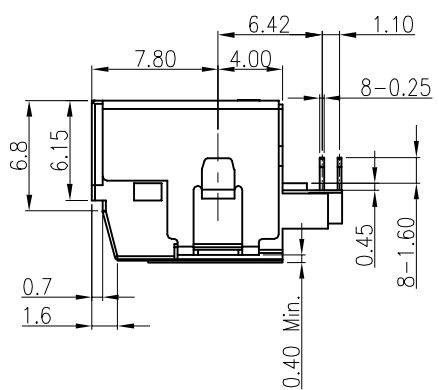
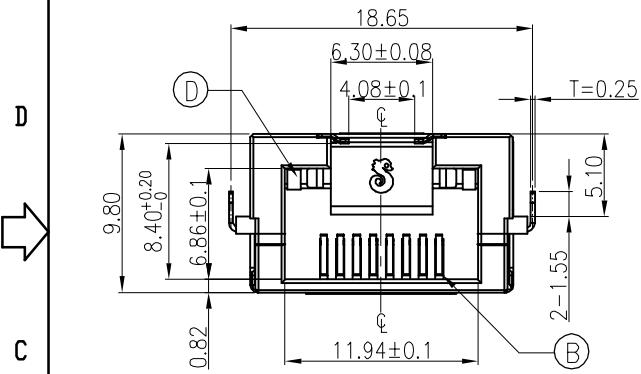
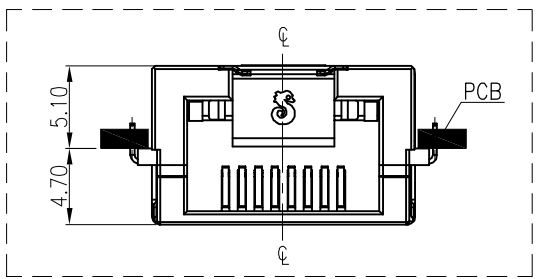
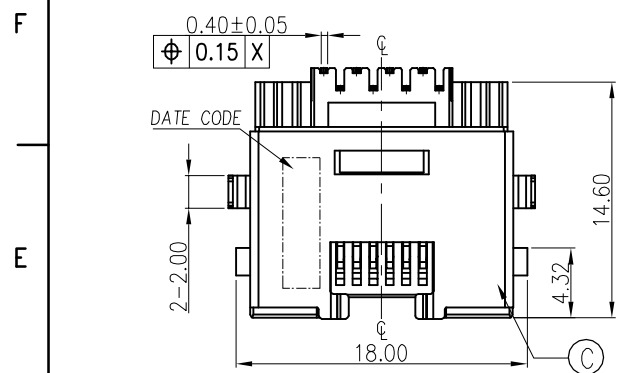


REV.	ECN NO OR DESCRIPTION	REVISED	DATE
A	PDR NO:S200827-1A	XIAO	2021.04.06



SPECIFICATIONS:

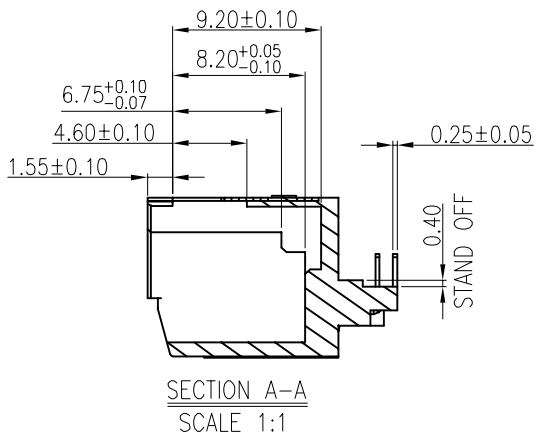
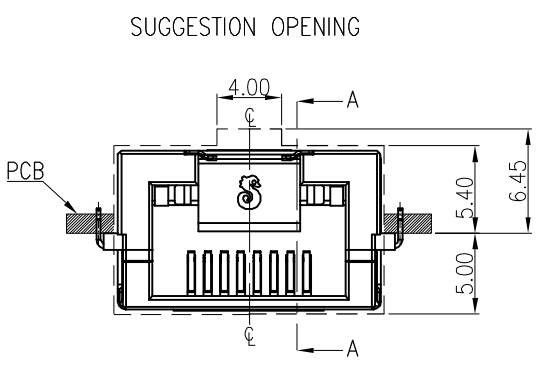
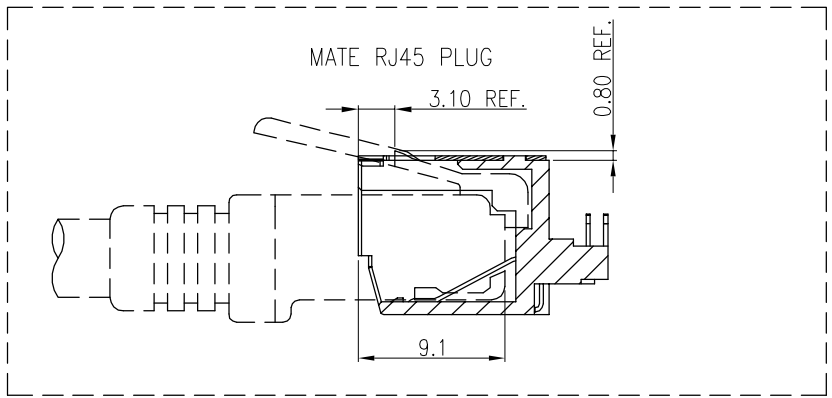
- ELECTRICAL CHARACTERISTICS:
 - CURRENT RATING: 1.5A Max.
 - VOLTAGE RATING: 150V Max.
 - CONTACT RESISTANCE: 50mΩ Max.(INITIAL). 100mΩ Max.(AFTER LIFE TEST).
 - INSULATION RESISTANCE: 100MΩ Min.
- MECHANICAL CHARACTERISTICS:
 - DURABILITY: 5000 CYCLES.
 - INSERTION FORCE: 2.25Kg Max. WITH LATCH DEPRESSED.
 - WITHDRAWAL FORCE: 4.5Kg Max. WITH LATCH DEPRESSED.
 - OPERATING TEMPERATURE: -30℃ ~ +70℃
- MARKING: MARK "S" INSIDE OF THE CONNECTOR.
- PACKAGING: TAPE & REEL.
- TO CONFORM TO SINGATRON HAZARDOUS SUBSTANCE FREE SPEC.
- HALOGEN FREE PRODUCT IDENTIFICATION
MARK ON PRODUCT:
- HALOGEN FREE PRODUCT IDENTIFICATION LOGO
ON THE PACKAGING:
- FOR REFLOW SOLDERING LEAD-FREE PROCESS.
- PRINTED DATE CODE "YY MM DD" ON TOP OF THE CONNECTOR.

DD:DAY
MM:MONTH
YY:YEAR

D	LOCK	2	COPPER ALLOY	清洗
C	SHELL	1	Stainless Steel	可焊 Ni 60uin Min.(48h Salt Spray)
B	8P8C CONTACT	8	PHOSPHOR BRONZE	G/F ON CONTACT AREA; Matte Sn 120uin ON SOLDER TAIL; ALL OVER Ni 50uin Min.
A	BODY	1	PA10T+30%GF	UL 94V-0 & BLACK
NO	DESCRIPTION	QTY	MATERIAL	PLATING & COLOR
UNLESS OTHERWISE SPECIFIED TOLERANCES			Singatron Enterprise Co., Ltd. 信音企業股份有限公司	
DECIMALS:		TITLE		
X	±0.5	X	RJ45 JACK	
X.X	±0.3	X.X	DWN	XIAO
X.XX	±0.2	X.XX	CHKD	ALLEN
		SCALE 4:1		UNIT: mm
		SIZE: A3		SHEET: 1 / 2
		APVD		BOYE
		REV: A		
CUSTOMER COPY				

1 2 3 4 5 6 7 8

REV.	ECN NO OR DESCRIPTION	REVISED	DATE
A	PDR NO:S200827-1A	XIAO	2021.04.06



NO	DESCRIPTION	QTY	MATERIAL	PLATING & COLOR
UNLESS OTHERWISE SPECIFIED TOLERANCES			Singatron Enterprise Co., Ltd. 信音企業股份有限公司	
DECIMALS:		ANGLES:	TITLE: RJ45 JACK	
X	:±0.5	X	:±2°	DWN XIAO PART NO. 2RJ3030-0P8211F
X.X	:±0.3	X.X	:±1°	CHKD ALLEN SCALE 4:1 UNIT: mm
X.XX	:±0.2			APVD BOYE SIZE: A3 SHEET: 2 / 2 REV:A
CUSTOMER COPY				

1 2 3 4 5 6 7 8