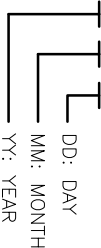


REV.	ECN NO. OR DESCRIPTION	REVISED	DATE
A	PDR NO.:120419-2A	Som	2012.12.15
B	EGR NO.:S151014-E	ALLEN	2015.10.19

SPECIFICATIONS:

- ELECTRICAL CHARACTERISTICS:
 - CURRENT RATING: 1.5A MAX.
 - VOLTAGE RATING: 150V MAX.
 - CONTACT RESISTANCE: 50mΩ MAX.(INITIAL), 100mΩ MAX.(AFTER LIFE TEST).
 - INSULATION RESISTANCE: 100MΩ MIN.
- MECHANICAL CHARACTERISTICS:
 - DURABILITY: 5000 CYCLES.
 - INSERTION FORCE: 2.25kg MAX. WITH LATCH DEPRESSED.
 - WITHDRAWAL FORCE: 4.5kg MAX. WITH LATCH DEPRESSED.
 - OPERATING TEMPERATURE: -30°C ~ +70°C.
- MARKING: MARK "S" INSIDE OF THE CONNECTOR.
- PACKAGING: TAPE & REEL.
- TO CONFORM TO SINGATRON HAZARDOUS SUBSTANCE FREE SPEC.
- HALOGEN FREE PRODUCT IDENTIFICATION
- HALOGEN FREE PRODUCT IDENTIFICATION LOGO
- ON THE PACKAGING:
 - FOR REFLOW SOLDERING: LEAD-FREE PROCESS.
 - PRINTED DATE CODE "YY MM DD" ON TOP OF THE CONNECTOR.



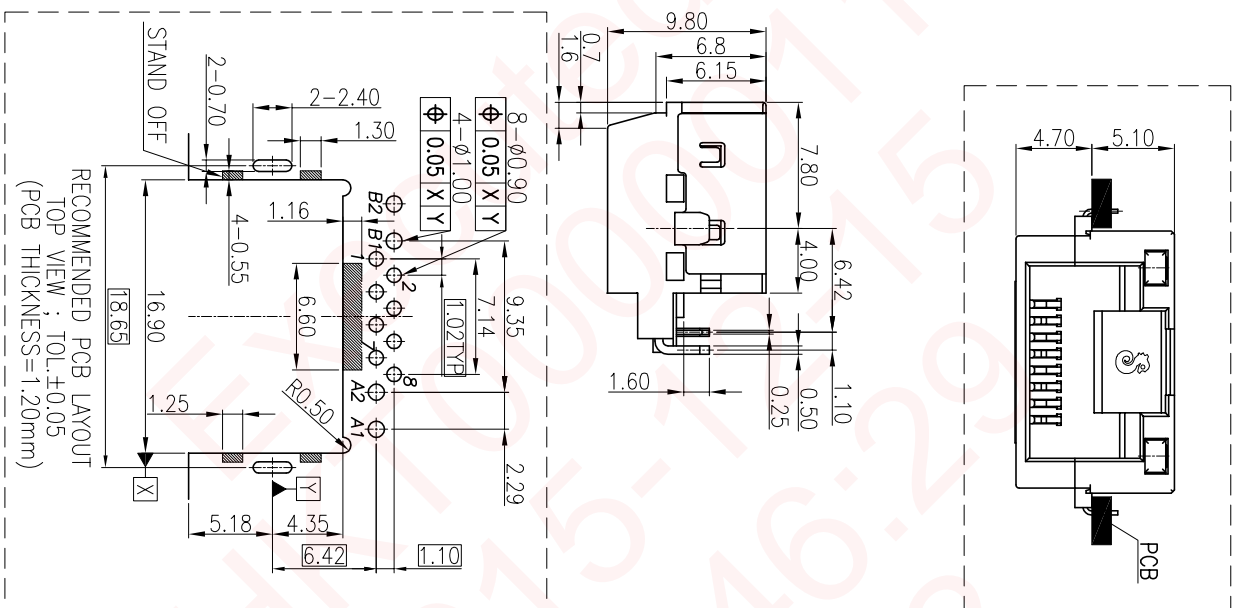
DD: DAY
MM: MONTH
YY: YEAR

NODE	COLOR	Wavelength
A1(+)	AZ(-)	YELLOW
B1(+)	B2(-)	GREEN

F	Mylar	1	W9.00mm*16.00mm
E	LED	1	GREEN
D	LED	1	YELLOW
C	SHELL	1	NI PLATING ALL OVER
B	8P8C CONTACT	8	C/F ON CONTACT AREA: Motte Sn 120u" ON SOLDER TAIL; ALL OVER NI 50u"MIN.
A	BODY	1	UL 94V-0 & BLACK

MATERIAL
SINGATRON ENTERPRISE CO., LTD.
信亨企業股份有限公司

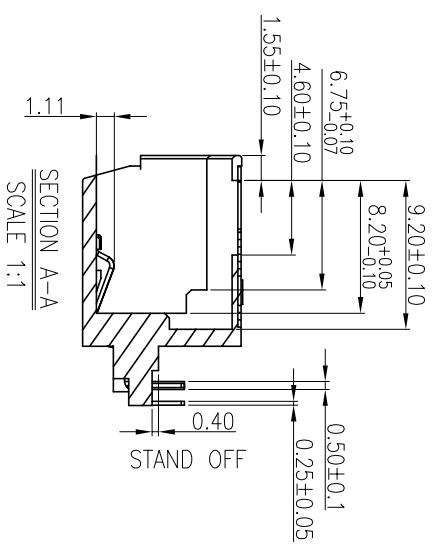
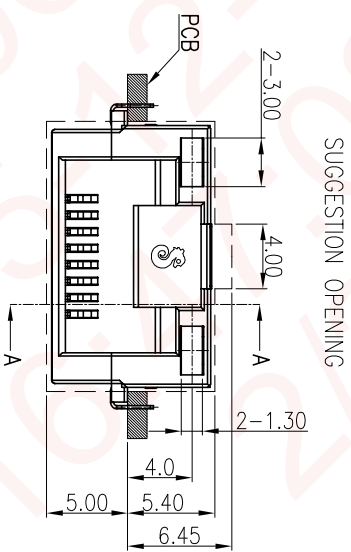
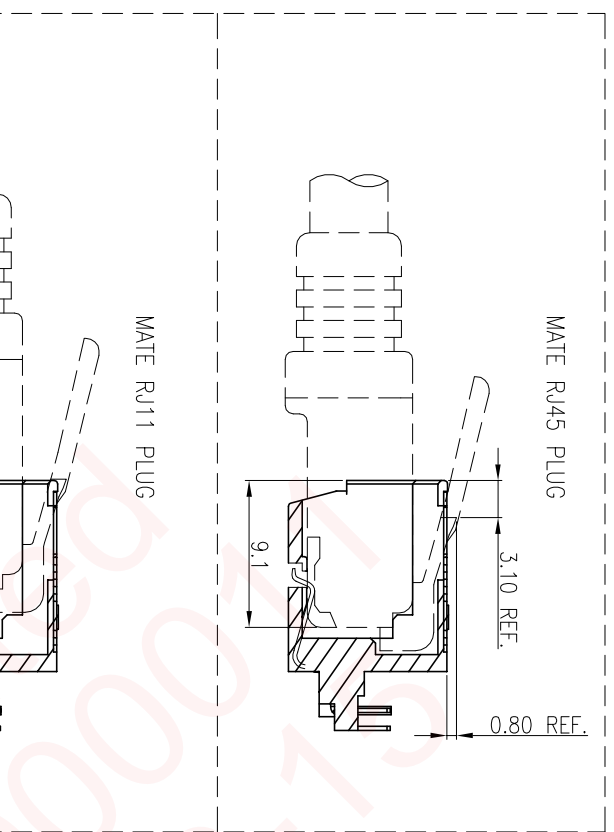
NO.	DESCRIPTION	QTY	MATERIAL
F	Mylar	1	W9.00mm*16.00mm
E	LED	1	GREEN
D	LED	1	YELLOW
C	SHELL	1	NI PLATING ALL OVER
B	8P8C CONTACT	8	C/F ON CONTACT AREA: Motte Sn 120u" ON SOLDER TAIL; ALL OVER NI 50u"MIN.
A	BODY	1	UL 94V-0 & BLACK



UNLESS OTHERWISE SPECIFIED TOLERANCES	DECIMALS:	ANGLES:
	±0.5	±2°
	±0.3	±1°
	±0.2	

TITLE	RJ45 JACK
DWN	ALLEN
CHKD	JAMES
APVD	BOYE

REV.	ECN NO. OR DESCRIPTION	REVISED	DATE
A	PDR NO.:120419-2A	Sam	2012.12.15
B	EGR NO.:S151014-E	ALLEN	2015.10.19



NO.	DESCRIPTION	QTY	MATERIAL	PLATING & COLOR
F	Mylar	1		W9.00mm*16.00mm
E	LED	1		GREEN
D	LED	1		YELLOW
C	SHELL	1	Stainless Steel	NI PLATING ALL OVER
B	8P8C CONTACT	8	PHOSPHOR BRONZE	C/F ON CONTACT AREA: Mate Sn 120u" ON SOLDER TAIL: ALL OVER NI 50u"MIN.
A	BODY	1	PA10T	UL 94V-0 & BLACK

UNLESS OTHERWISE SPECIFIED TOLERANCES

DECIMALS:	ANGLES:
X : ±0.5	X : ±2°
X.X : ±0.3	X.X : ±1°
X.XX : ±0.2	

TITLE	PART NO.	UNIT	SHEET	REV.
ALLEN	2RJ3030-108211F	mm	2	B
James	SCALE 4:1	mm		
BOYE	SIZE: A3			

Singatron Enterprise Co., Ltd.
信睿企业股份有限公司

RJ45 JACK

CUSTOMER COPY

