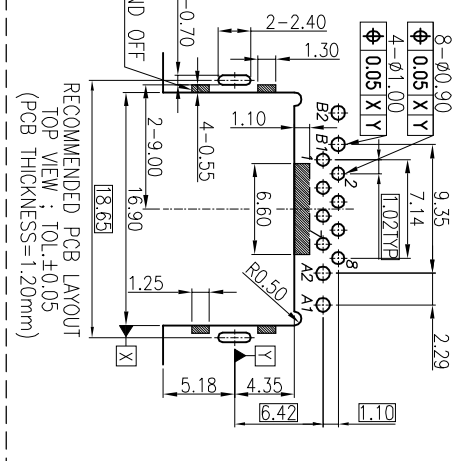
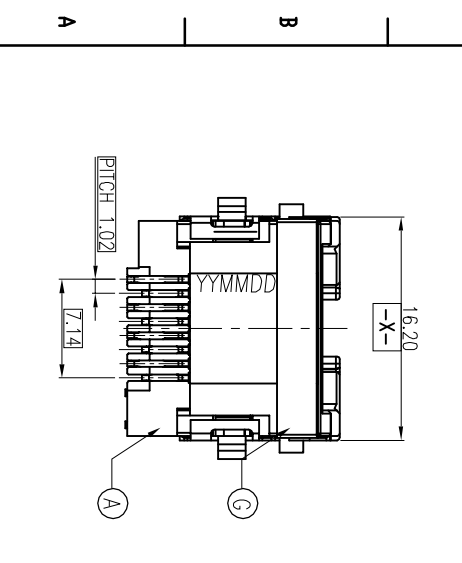
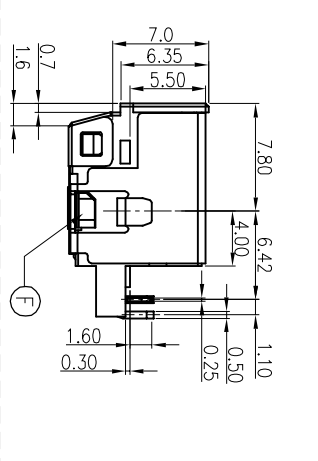
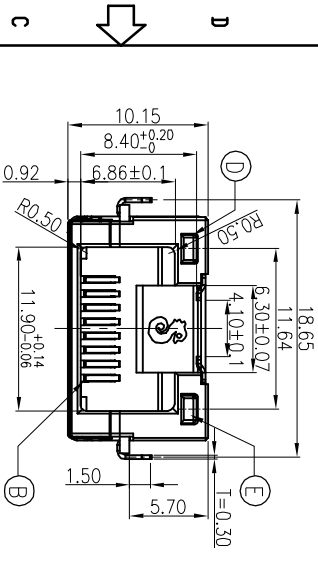
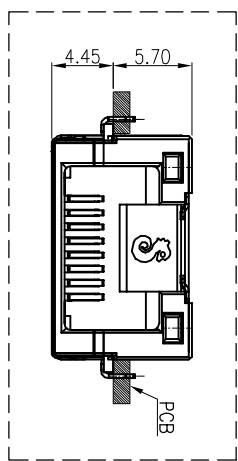
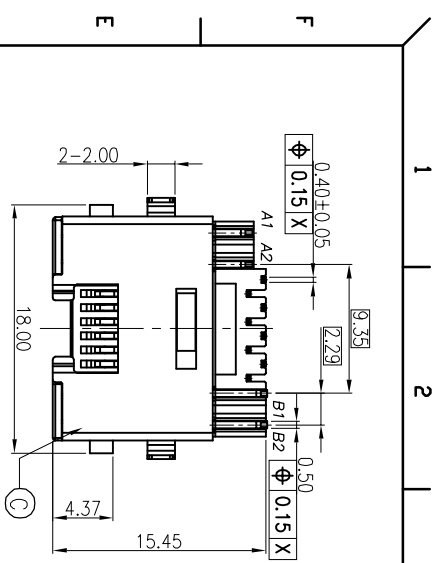


REV.	ECON NO OR DESCRIPTION	REVISED	DATE
A	PDR NO:160314-2A	ALLEN	2017.03.15



NODE	COLOR	Wavelength
A1(+)	A2(-)	YELLOW A1-+A2 585-597(Nd)
B1(+)	B2(-)	GREEN B1-+B2 564.5-576.5(Nd)
G	SHELL	2 Stainless Steel T=0.10
F	STOP	2 PAIOT UL 94V-0 & BLACK
E	LED	1 GREEN
D	LED	1 YELLOW
C	SHELL	1 Stainless Steel BLACK IN PLATING ALL OVER
B	8P8C CONTACT	8 PHOSPHOR BRONZE C/F ON CONTACT AREA: Matte Sn 120u" ON SOLDER TAIL: ALL OVER IN 50u"MIN.
A	BODY	1 LCP UL 94V-0 & BLACK
NO	DESCRIPTION	QTY
UNLESS OTHERWISE SPECIFIED TOLERANCES		
DECIMAL S: ANGLES:		
X	:±0.5	X :±2°
X.X	:±0.3	X.X :±1°
X.XX	:±0.2	
TITLE R445 JACK		
DWN	ALLEN	PART NO. 2RJ3030-1H8211F
CHKD	JAMES	SCALE 4:1 UNIT: mm
APVD	BOYE	SIZE: A3 SHEET: 1 / 2 REV: A

- SPECIFICATIONS:
- ELECTRICAL CHARACTERISTICS:
    - CURRENT RATING: 1.5A MAX.
    - VOLTAGE RATING: 150V MAX.
    - CONTACT RESISTANCE: 50mΩ MAX.(INITIAL), 100mΩ MAX.(AFTER LIFE TEST).
    - INSULATION RESISTANCE: 100MΩ MIN.
  - MECHANICAL CHARACTERISTICS:
    - DURABILITY: 5000 CYCLES.
    - INSERTION FORCE: 2.25KG MAX. WITH LATCH DEPRESSED.
    - WITHDRAWAL FORCE: 4.5KG MAX. WITH LATCH DEPRESSED.
    - OPERATING TEMPERATURE: -30°C ~ +70°C.
  - MARKING: MARK "S" INSIDE OF THE CONNECTOR.
  - PACKAGING: TAPE & REEL.
  - TO CONFORM TO SINGATRON HAZARDOUS SUBSTANCE FREE SPEC.
  - HALOGEN FREE PRODUCT IDENTIFICATION
  - MARK ON PRODUCT: ○
  - HALOGEN FREE PRODUCT IDENTIFICATION LOGO ON THE PACKAGING: ●
  - FOR REFLOW SOLDERING LEAD-FREE PROCESS.
  - PRINTED DATE CODE "YY MM DD" ON TOP OF THE CONNECTOR.



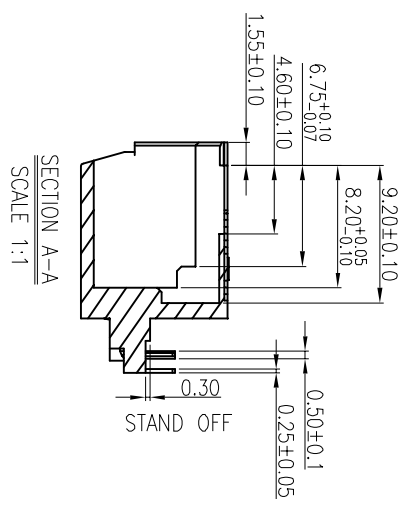
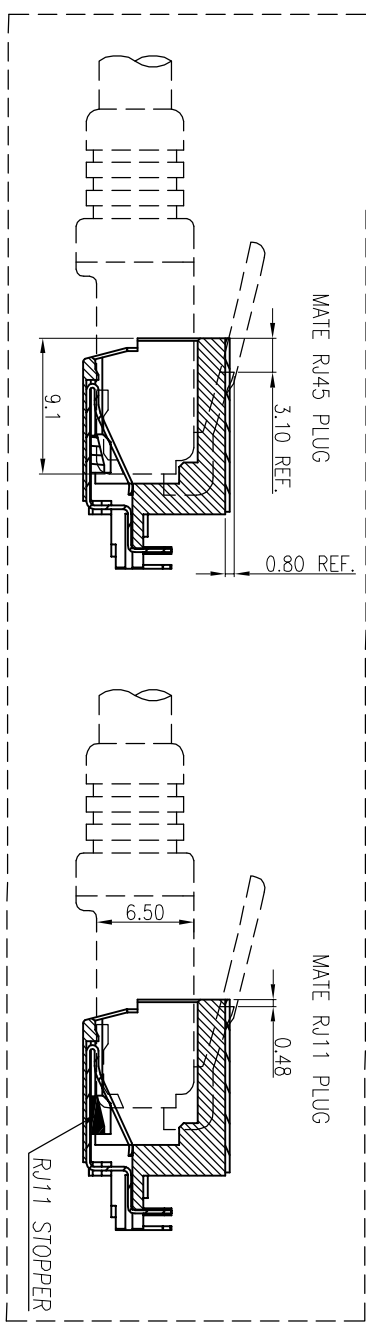
1 2 3 4 5 6 7 8

CUSTOMER COPY



Singatron Enterprise Co., Ltd  
信登企業股份有限公司

REV.	ECN NO.	OR DESCRIPTION	REVISED	DATE
A	PDR NO:160314-2A		ALLEN	2017.03.15



SECTION A-A  
SCALE 1:1

NO.	DESCRIPTION	QTY	MATERIAL	PLATING & COLOR
	UNLESS OTHERWISE SPECIFIED TOLERANCES:			
	DECIMALS:			
X	:±0.5	X	:±2°	
X.X	:±0.3	X.X	:±1°	
X.XX	:±0.2			
TITLE: RJ45 JACK				
DWN	ALLEN	PART NO.	2RJ3030-1H8211F	
CHKD	JAMES	SCALE	4:1	UNIT: mm
APVD	BOYE	SIZE	A3	SHEET: 2 / 2
CUSTOMER COPY				

Singatron Enterprise Co., Ltd.  
信音企業股份有限公司