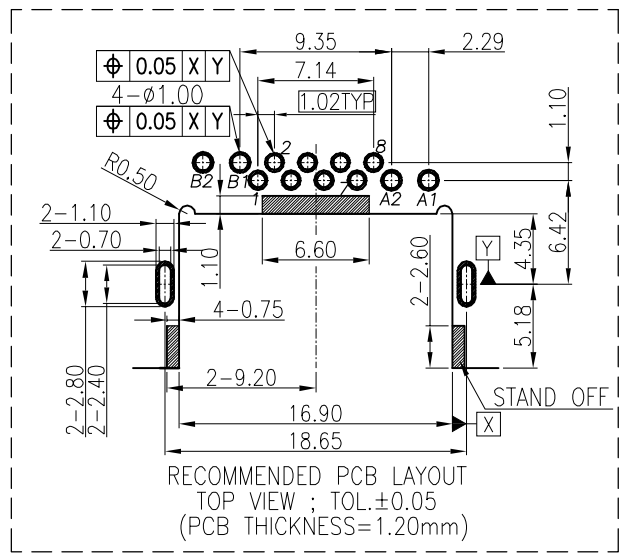
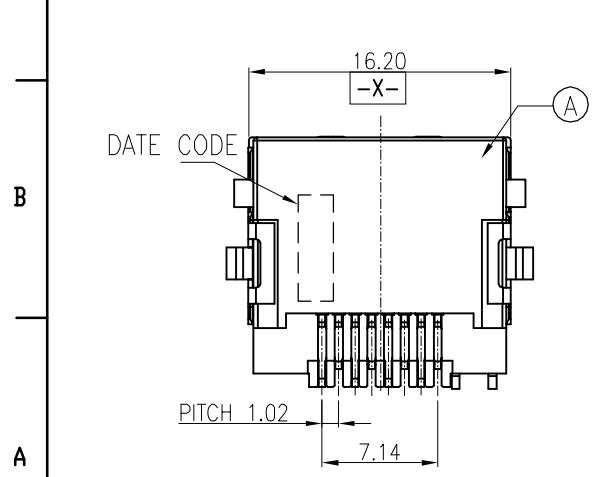
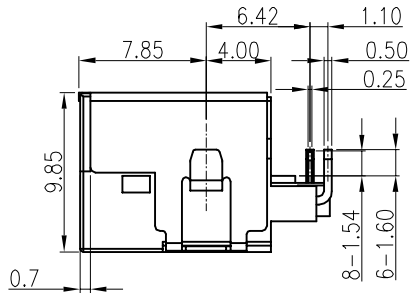
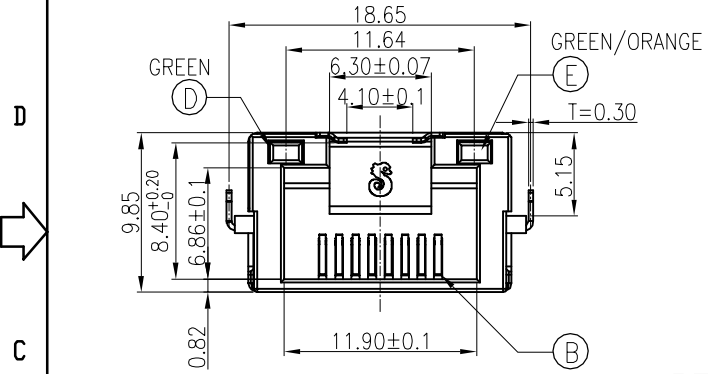
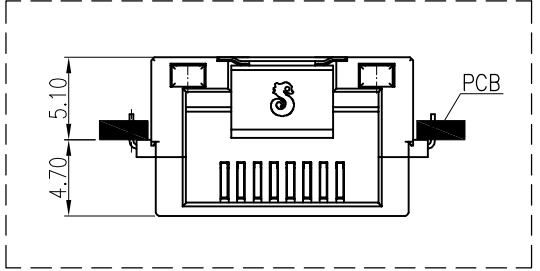
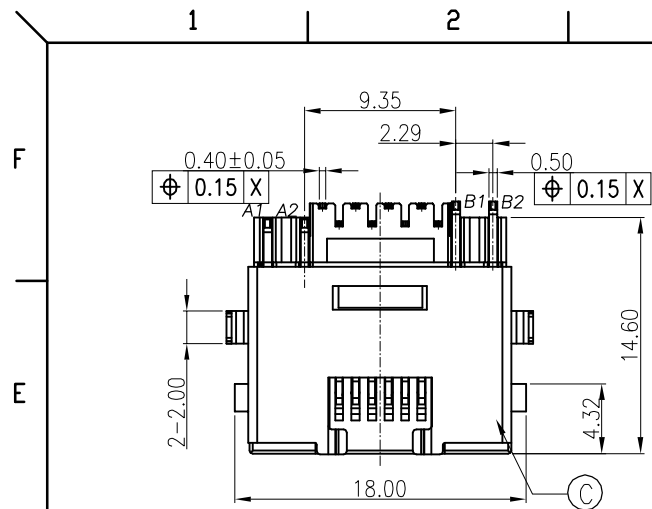


REV.	ECN NO OR DESCRIPTION	REVISED	DATE
A	PDR NO:T191017-3A	PAN	2019.12.16



SPECIFICATIONS:

- ELECTRICAL CHARACTERISTICS:
 - CURRENT RATING: 1.5A MAX.
 - VOLTAGE RATING: 150V MAX.
 - CONTACT RESISTANCE : 50mΩ MAX.(INITIAL), 100mΩ MAX.(AFTER LIFE TEST).
 - INSULATION RESISTANCE : 100MΩ MIN.
- MECHANICAL CHARACTERISTICS:
 - DURABILITY: 5000 CYCLES.
 - INSERTION FORCE: 2.25Kg MAX. WITH LATCH DEPRESSED.
 - WITHDRAWAL FORCE: 4.5Kg MAX. WITH LATCH DEPRESSED.
 - OPERATING TEMPERATURE: -30°C ~ +70°C.
- MARKING: MARK "S" INSIDE OF THE CONNECTOR.
- PACKAGING : TAPE & REEL.
- TO CONFORM TO SINGATRON HAZARDOUS SUBSTANCE FREE SPEC.
- HALOGEN FREE PRODUCT IDENTIFICATION
MARK ON PRODUCT:
- HALOGEN FREE PRODUCT IDENTIFICATION LOGO
ON THE PACKAGING:
- FOR REFLOW SOLDERING LEAD-FREE PROCESS.
- PRINTED DATE CODE "YY MM DD" ON TOP OF THE CONNECTOR.

DD: DAY
MM: MONTH
YY: YEAR

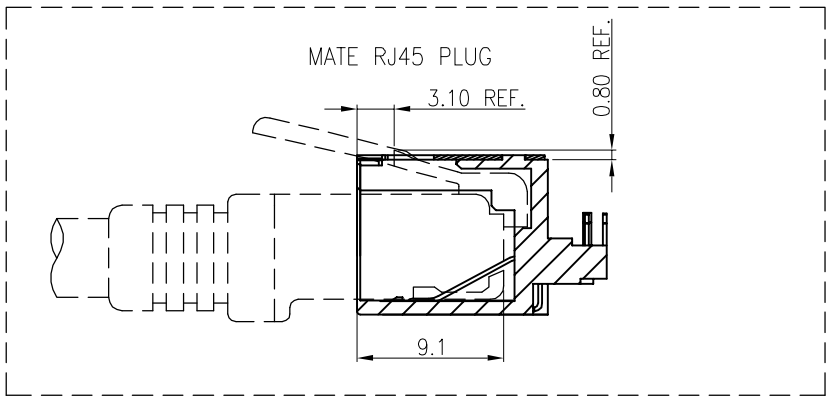
NODE	COLOR	Wavelength	DC Forward Current	Forward Voltage
A1(+) A2(-)	GREEN	λd 565~574	20mA	1.7~2.7V
B2(+) B1(-)	GREEN	λd 565~574	20mA	1.7~2.7V
B2(-) B1(+)	ORANGE	λd 600~612	20mA	1.7~2.7V

E	LED	1		GREEN/ORANGE
D	LED	1		GREEN
C	SHELL	1	Stainless Steel	NI PLATING ALL OVER
B	8P8C CONTACT	8	PHOSPHOR BRONZE	15u" AU ON CONTACT AREA; Matte Sn 120u" ON SOLDER TAIL; ALL OVER Ni 50u"MIN.
A	BODY	1	PA10T	UL 94V-0 & BLACK
NO	DESCRIPTION	QTY	MATERIAL	PLATING & COLOR

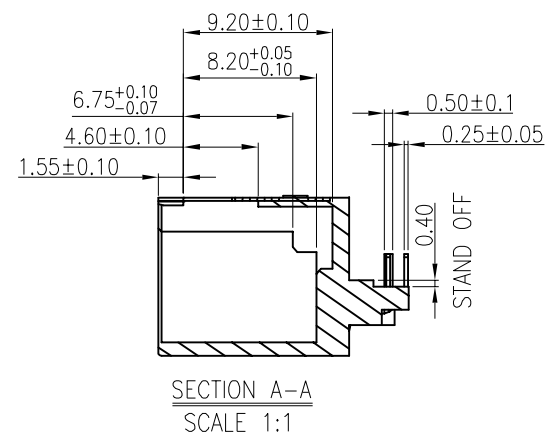
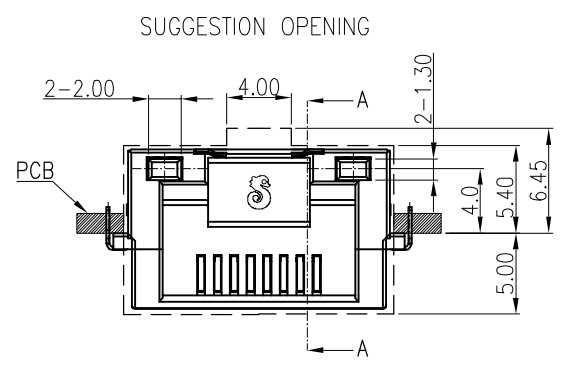
UNLESS OTHERWISE SPECIFIED TOLERANCES		Singatron Enterprise Co., Ltd. 		
DECIMALS:	ANGLES:	TITLE	RJ45 JACK	
X : ±0.5	X : ±2°	DWN	PAN	PART NO. 2RJ3030-1N8211F
X.X : ±0.3	X.X : ±1°	CHKD	ALLEN	SCALE 4:1 UNIT: mm
X.XX : ±0.2		APVD	BOYE	SIZE: A3 SHEET: 1 / 2 REV: A
CUSTOMER COPY				

1 2 3 4 5 6 7 8

REV.	ECN NO OR DESCRIPTION	REVISED	DATE
A	PDR NO:T191017-3A	PAN	2019.12.16



PIN 1	TX0+
PIN 2	TX0-
PIN 3	RX1+
PIN 4	TX2+
PIN 5	TX2-
PIN 6	RX1-
PIN 7	TX3+
PIN 8	TX3-



NO	DESCRIPTION	QTY	MATERIAL	PLATING & COLOR
UNLESS OTHERWISE SPECIFIED TOLERANCES			Singatron Enterprise Co., Ltd. 信音企業股份有限公司	
DECIMALS: X ±0.5		ANGLES: X ±2°		TITLE
X.X ±0.3		X.X ±1°		RJ45 JACK
X.XX ±0.2				DWN PAN PART NO. 2RJ3030-1N8211F
		CHKD ALLEN SCALE 4:1 UNIT: mm		
		APVD BOYE SIZE: A3 SHEET: 2 / 2		REV:A
CUSTOMER COPY				

1 2 3 4 5 6 7 8