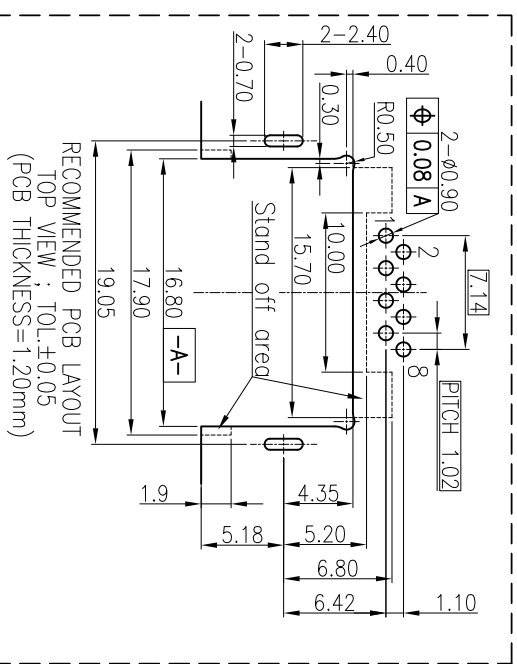
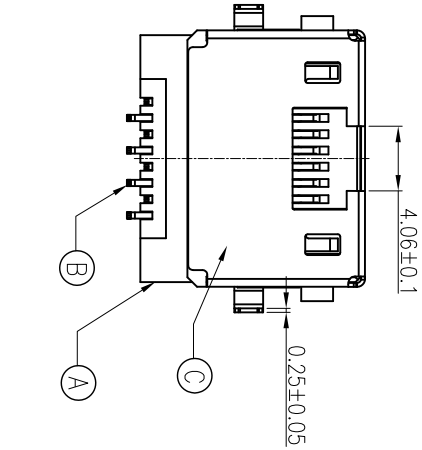
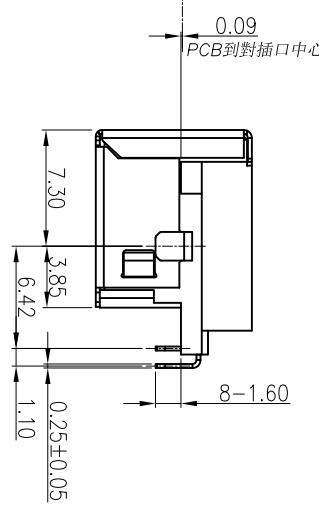
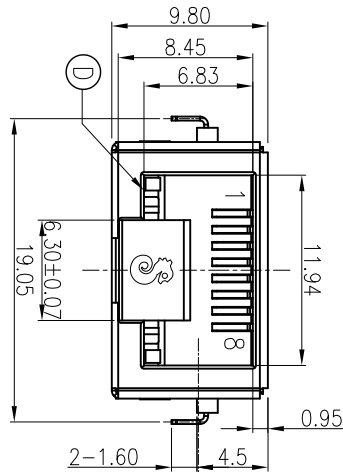
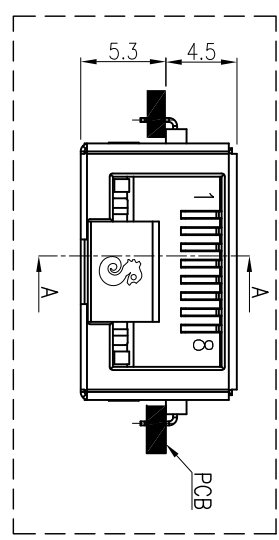
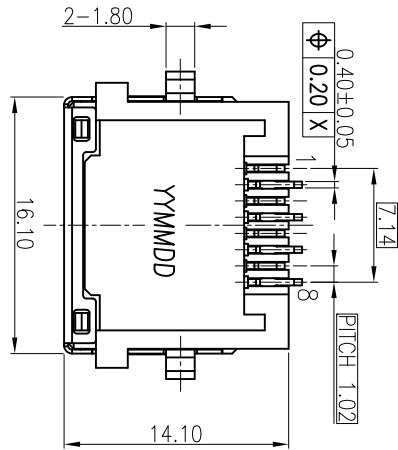


REV	ECN NO. OR DESCRIPTION	REVISED	DATE
A	PDR NO:1131017-11A	JAMES	2014.03.03



SPECIFICATIONS:

- ELECTRICAL CHARACTERISTICS:
  - CURRENT RATING: 0.5A MAX.
  - VOLTAGE RATING: 150V MAX.
  - CONTACT RESISTANCE: 50mΩ MAX.(INITIAL), 100mΩ MAX.(AFTER LIFE TEST).
  - INSULATION RESISTANCE: 100MΩ MIN.
- MECHANICAL CHARACTERISTICS:
  - DURABILITY: 5000 CYCLES.
  - INSERTION FORCE: 2.25kg MAX. WITH LATCH DEPRESSED.
  - WITHDRAWAL FORCE: 4.5kg MAX. WITH LATCH DEPRESSED.
  - OPERATING TEMPERATURE: -30°C ~ +70°C.
- MARKING: MARK "8" INSIDE OF THE CONNECTOR.
- PACKAGING : TAPE & REEL.
- TO CONFORM TO SINGATRON HAZARDOUS SUBSTANCE FREE SPEC.
- HALOGEN FREE PRODUCT IDENTIFICATION
- HALOGEN FREE PRODUCT IDENTIFICATION LOGO ON THE PACKAGING:
- FOR REFLOW SOLDERING LEAD-FREE PROCESS.
- PRINTED DATE CODE "YY MM DD" ON TOP OF THE CONNECTOR.



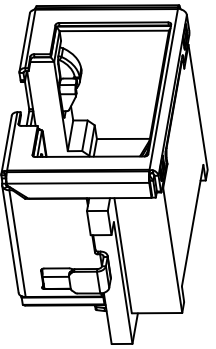
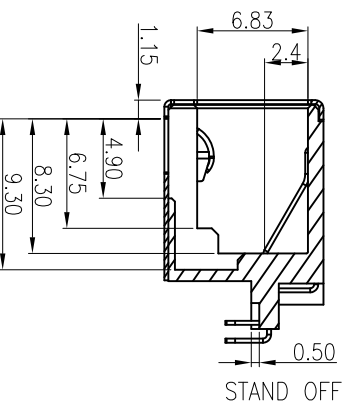
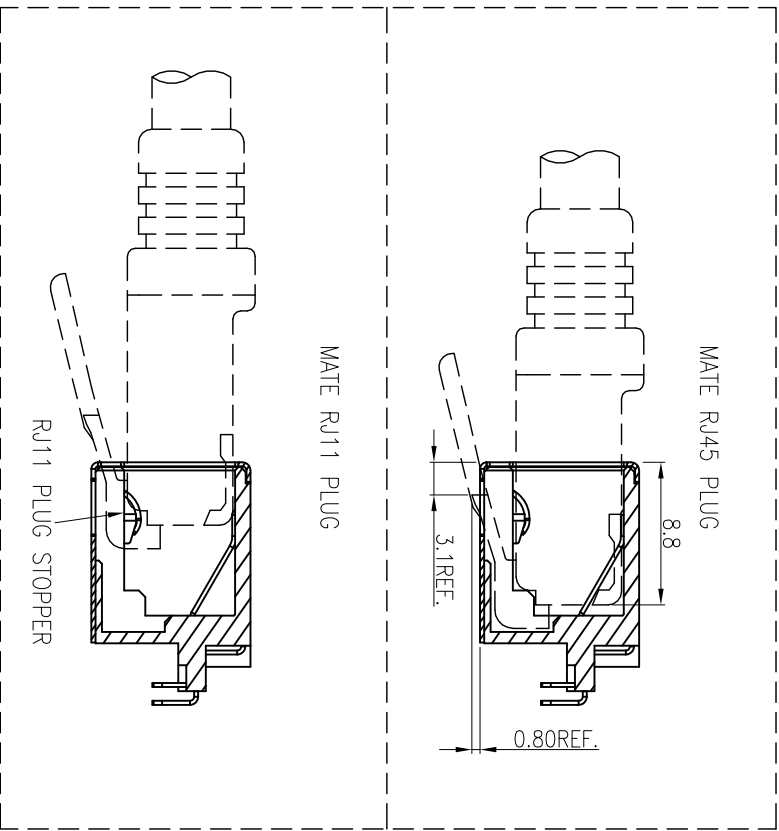
D	LOOK	2	STAINLESS STEEL	NI PLATING ALL OVER
C	SHELL	1	STAINLESS STEEL	
B	8P8C CONTACT	8	PHOSPHOR BRONZE	G/F ON CONTACT AREA, Matte Sn 120U" ON SOLDER TAIL; ALL OVER NI 50U"MIN.
A	BODY	1	HIGH TEMP.THERMOPLASTIC	UL 94V-0 & BLACK
NO	DESCRIPTION	QTY	MATERIAL	PLATING & COLOR

UNLESS OTHERWISE SPECIFIED TOLERANCES


DECIMALS:	ANGLES:
X ±0.5	X ±2°
XX ±0.3	XX ±1°
XXX ±0.2	

Singapore Enterprise Co., Ltd. 信音企業股份有限公司	
TITLE	R445 JACK
DWN	James
CHKD	
APVD	Tony
PART NO.	2R3J031-018211F
SCALE	4:1
UNIT	mm
SIZE	A3
SHEET	1 / 2
REV	A
CUSTOMER COPY	

REV.	ECN NO. OR DESCRIPTION	REVISED	DATE
A	PDR NO:1131017-11A	JAMES	2014.03.03



SECTION A-A  
SCALE 1:1

D	LOCK	2	STAINLESS STEEL		
C	SHELL	1	STAINLESS STEEL		
B	8P8C CONTACT	8	PHOSPHOR BRONZE	g/f ON CONTACT AREA; Mate Sn 120u" ON SOLDER TAIL; ALL OVER Ni 50u"MIN.	
A	BODY	1	HIGH TEMP.THERMOPLASTIC	UL 94V-0 & BLACK	
NO	DESCRIPTION	QTY	MATERIAL	PLATING & COLOR	
UNLESS OTHERWISE SPECIFIED TOLERANCES					
DECIMALS:		ANGLES:			
X	:±0.5	X	:±2°		
X.X	:±0.3	XX	:±1°		
X.XX	:±0.2				
 Singatron Enterprise Co., Ltd. 信音企業股份有限公司					
TITLE		RJ45 JACK			
DWN	James	PART NO.	2RJ3031-018211F		
CHKD		SCALE	4:1	UNIT:	mm
APVD	Tony	SIZE:	A3	SHEET:	2 / 2
		REV:	A		
CUSTOMER COPY					

