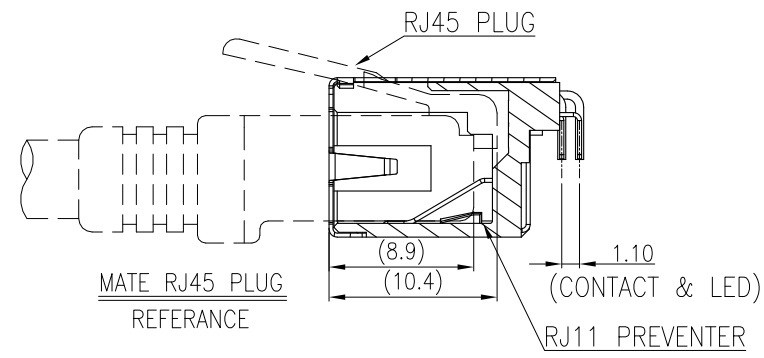
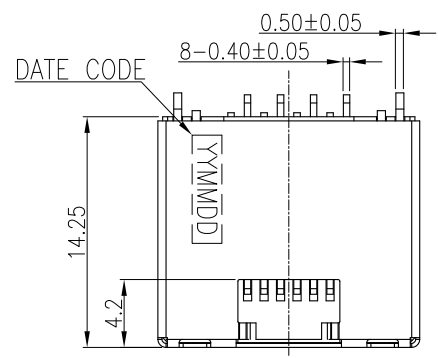


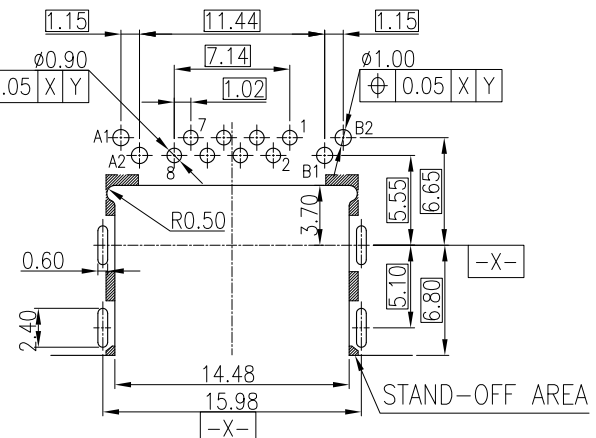
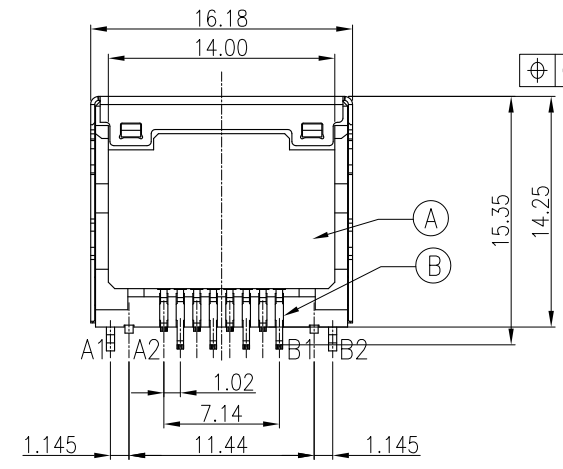
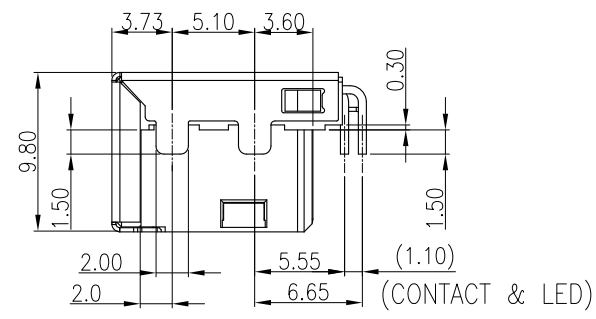
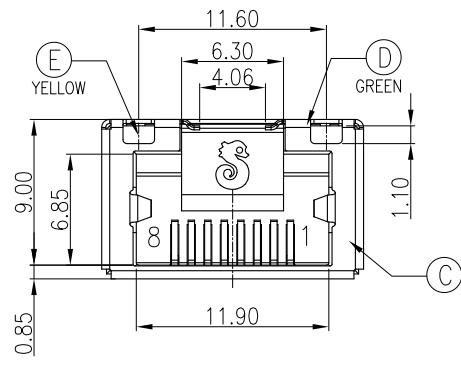
REV.	ECN NO OR DESCRIPTION	REVISED	DATE
A	PDR NO:T120711-1A	ALLEN	2013.04.11
B	ECN NO:S140604	JAMES	2014.09.15



SPECIFICATIONS:

- ELECTRICAL CHARACTERISTICS:
 - CURRENT RATING: 0.5A MAX.
 - VOLTAGE RATING: 150V MAX.
 - CONTACT RESISTANCE : 50mΩ MAX.(INITIAL).
100mΩ MAX.(AFTER LIFE TEST).
 - INSULATION RESISTANCE : 100MΩ MIN.
- MECHANICAL CHARACTERISTICS:
 - DURABILITY: 5000 CYCLES.
 - INSERTION FORCE: 2.25Kg MAX. WITH LATCH DEPRESSED.
 - WITHDRAWAL FORCE: 4.5Kg MAX. WITH LATCH DEPRESSED.
 - OPERATING TEMPERATURE: -30℃ ~ +70℃.
- MARKING: MARK "S" INSIDE OF THE CONNECTOR.
- PACKAGING : TAPE & REEL.
- TO CONFORM TO SINGATRON HAZARDOUS SUBSTANCE FREE SPEC.
- HALOGEN FREE PRODUCT IDENTIFICATION
MARK ON PRODUCT: (S)
- HALOGEN FREE PRODUCT IDENTIFICATION LOGO
ON THE PACKAGING: (S)
- FOR REFLOW SOLDERING LEAD-FREE PROCESS.
- PRINTED DATE CODE "YY MM DD" ON TOP OF THE CONNECTOR.

DD: DAY
MM: MONTH
YY: YEAR



RECOMMENDED PCB LAYOUT
TOP VIEW ; TOL.±0.05
(PCB THICKNESS=1.20mm)

NODE	COLOR	
A1(+)	A2(-)	YELLOW A1↔A2
B1(+)	B2(-)	GREEN B1↔B2

F	MYLAR	1	L:15.2* W7.0*0.06T	YELLOW (A)
E	LED	1		YELLOW
D	LED	1		GREEN
C	SHELL	1	STAINLESS STEEL T:0.25mm	NI PLATING ALL OVER
B	8P8C CONTACT	8	PHOSPHOR BRONZE T:0.25mm	5u" Au ON CONTACT AREA; Matte Sn 120u" ON SOLDER TAIL; ALL OVER Ni 50u"MIN.
A	BODY	1	HIGH TEMP.THERMOPLASTIC	UL 94V-0 & BLACK
NO	DESCRIPTION	QTY	MATERIAL	PLATING & COLOR

UNLESS OTHERWISE SPECIFIED TOLERANCES

Singatron Enterprise Co., Ltd.
信音企業股份有限公司

DECIMALS:	ANGLES:	TITLE	RJ45 JACK		
X : ±0.5	X : ±2°	DWN	JAMES	PART NO. 2RJ3047-108411F	
X.X : ±0.3	X.X : ±1°	CHKD		SCALE 4:1	UNIT: mm
X.XX : ±0.2		APVD	BOYE	SIZE: A3	SHEET: 1 / 1
				REV: B	
				CUSTOMER COPY	