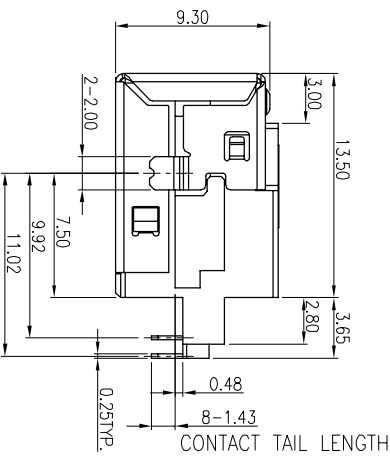
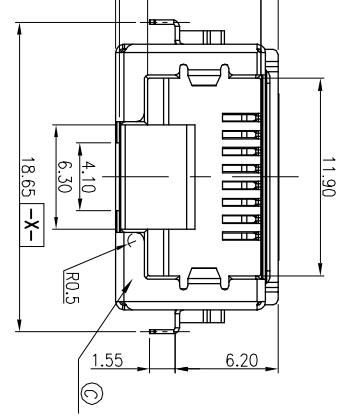
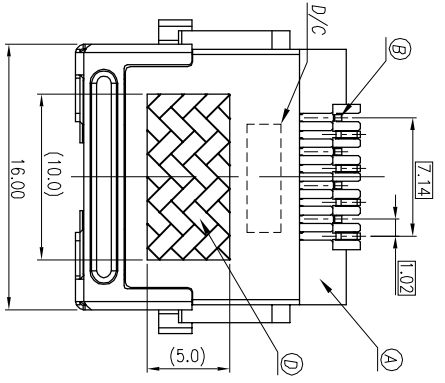
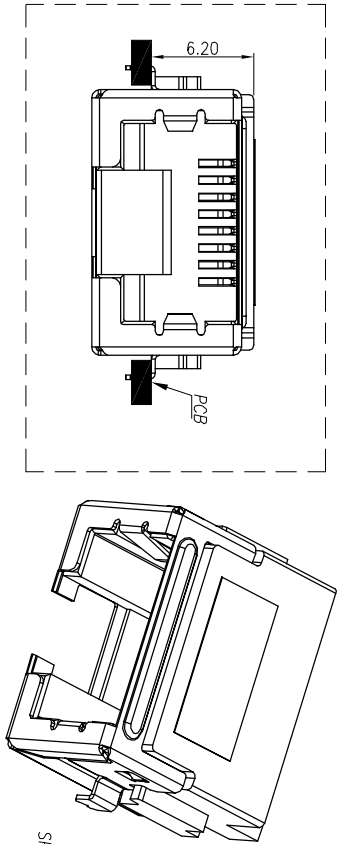
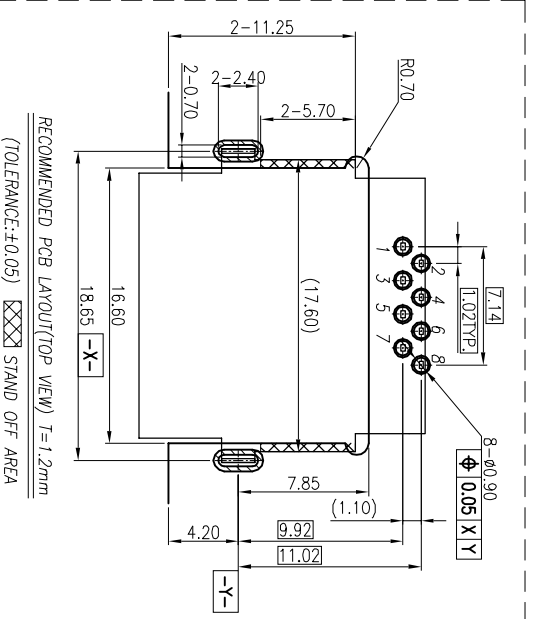
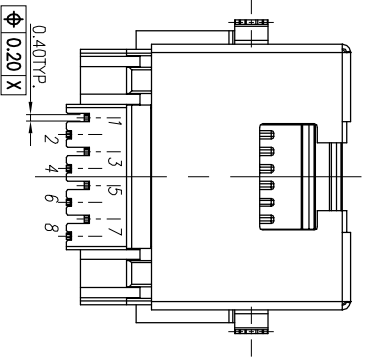


REV	ECN NO OR DESCRIPTION	REVISED	DATE
A	PDR NO:1781128-3A	PAN	2019.06.19

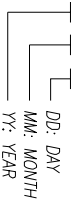


CONTACT TAIL LENGTH



SPECIFICATIONS:

- ELECTRICAL CHARACTERISTICS:
 - 1-1 CURRENT RATING: 1.5A MAX
 - 1-2 VOLTAGE RATING: 150V MAX
 - 1-3 CONTACT RESISTANCE: 50mΩ MAX(INITIAL), 100mΩ MAX(AFTER LIFE TEST).
 - 1-4 INSULATION RESISTANCE: 100MΩ MIN.
- MECHANICAL CHARACTERISTICS:
 - 2-1 DURABILITY: 5000 CYCLES.
 - 2-2 INSERTION FORCE: 2.25kg MAX. WITH LATCH DEPRESSED.
 - 2-3 WITHDRAWAL FORCE: 4.5kg MAX. WITH LATCH DEPRESSED.
 - 2-4 OPERATING TEMPERATURE: -30°C ~ +70°C.
- PACKAGING : TAPE & REEL.
- TO CONFORM TO SINGATRON HAZARDOUS SUBSTANCE FREE SPEC.
- HALOGEN FREE PRODUCT IDENTIFICATION
- HALOGEN FREE PRODUCT IDENTIFICATION LOGO
- FOR REFLOW SOLDERING LEAD-FREE PROCESS.
- PRINTED DATE CODE "yy mm dd" ON THE CONNECTOR.



D	MYLAR	1	KAPTON FILM	W10*L5
C	SHIELDING	1	STAINLESS STEEL TO.25	NI 40U" PLATING-ALL OVER
B	BP8C CONTACT	8	PHOSPHOR BRONZE T=0.25	G/F ON CONTACT AREA. Matte Sn 80U" ON SOLDER TAIL. ALL OVER NI 40U" MIN.
A	BODY	1	LCP E130+30%GF	UL 94V-0 & BLACK
NO	DESCRIPTION	QTY	MATERIAL	PLATING & COLOR

UNLESS OTHERWISE SPECIFIED TOLERANCES

Singatron Enterprise Co., Ltd.
信益企業股份有限公司

DECIMALS:	ANGLES:	TITLE	RJ45 JACK 6.2H ON PCB
X : ±0.5	X : ±2°	DWN	PAN
X.X : ±0.3	X.X : ±1°	CHKD	JAMES
X.XX : ±0.2		APVD	BOYE
			SCALE:4:1
			UNIT: mm
			SIZE: A3
			SHEET:1 OF 1
			REV: A

CUSTOMER COPY