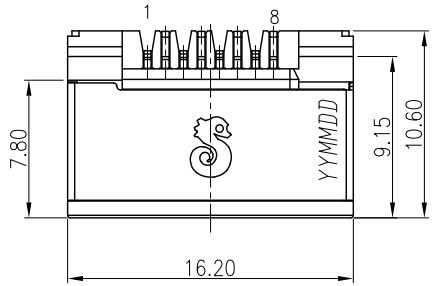
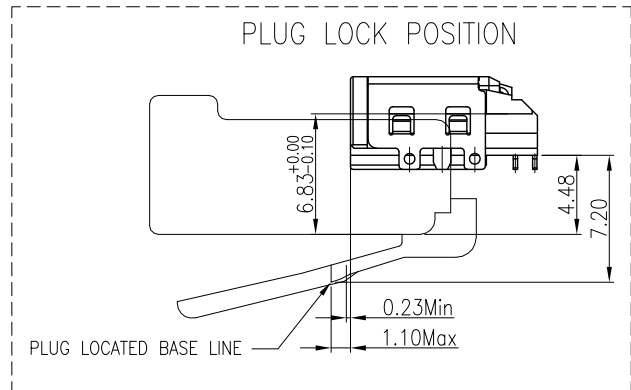
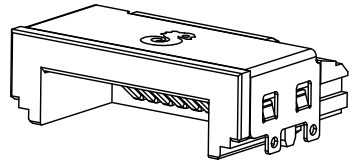


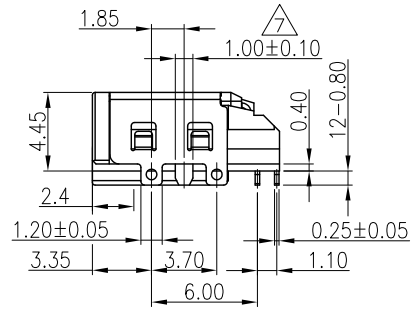
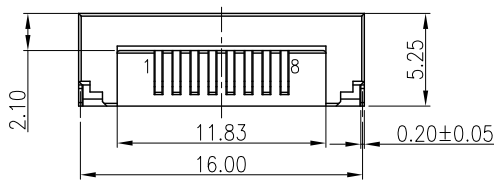
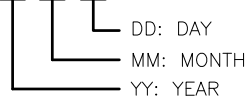
REV.	ECN NO OR DESCRIPTION	REVISED	DATE
A	PDR NO.T120830-6A	JAMES	2013.09.28

1 2 3 4 5 6 7 8

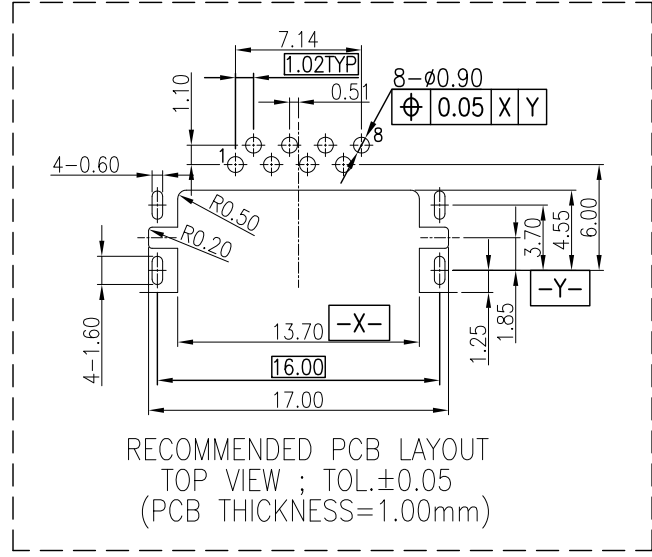
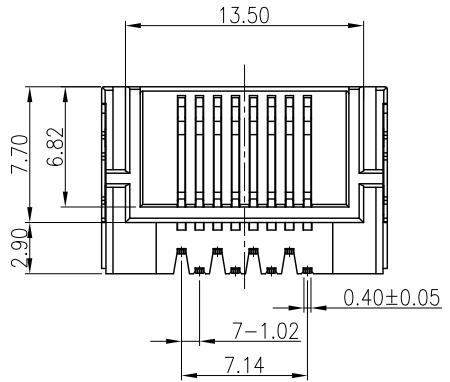


SPECIFICATIONS:

- ELECTRICAL CHARACTERISTICS:
 - CURRENT RATING: 0.5A MAX.
 - VOLTAGE RATING: 150VAC MAX.
 - CONTACT RESISTANCE : 50mΩ MAX.(INITIAL), 100mΩ MAX.(AFTER LIFE TEST).
 - INSULATION RESISTANCE : 100MΩ MIN.
- MECHANICAL CHARACTERISTICS:
 - DURABILITY: 5000 CYCLES.
 - INSERTION FORCE: 2.25Kg MAX. WITH LATCH DEPRESSED.
 - OPERATING TEMPERATURE: -30℃ ~ +70℃.
- MARKING: MARK "S" ON TOP OF THE CONNECTOR.
- PACKAGING : TAPE & REEL.
- TO CONFORM TO SINGATRON HAZARDOUS SUBSTANCE FREE SPEC.
- HALOGEN FREE PRODUCT IDENTIFICATION
MARK ON PRODUCT:
- HALOGEN FREE PRODUCT IDENTIFICATION LOGO
ON THE PACKAGING:
- FOR REFLOW SOLDERING LEAD-FREE PROCESS.
- PRINTED DATE CODE" YY MM DD " ON TOP OF THE CONNECTOR.



C



A

C	SHELL	1	STAINLESS STEEL	Ni 50u"MIN.
B	8P8C CONTACT	8	PHOSPHOR BRONZE	GOLD PLATING ON CONTACT AREA; MATTE Sn 120u" ON SOLDER TAIL; ALL OVER Ni 50u"MIN.
A	BODY	1	HIGH TEMP.THERMOPLASTIC	BLACK
NO	DESCRIPTION	QTY	MATERIAL	PLATING & COLOR
UNLESS OTHERWISE SPECIFIED TOLERANCES		Singatron Enterprise Co., Ltd. 信音企業股份有限公司		
DECIMALS: ANGLES:		TITLE: LAN JACK RJ45 DIP		
X	±0.50 X ±2°	DWN	James	PART NO. 2RJ3049-008211F
X.X	±0.30 X.X ±1°	CHKD		SCALE 4:1 UNIT: mm
X.XX	±0.20	APVD	James	SIZE: A3 SHEET:1 / 1 REV: A
CUSTOMER COPY				

1 2 3 4 5 6 7 8