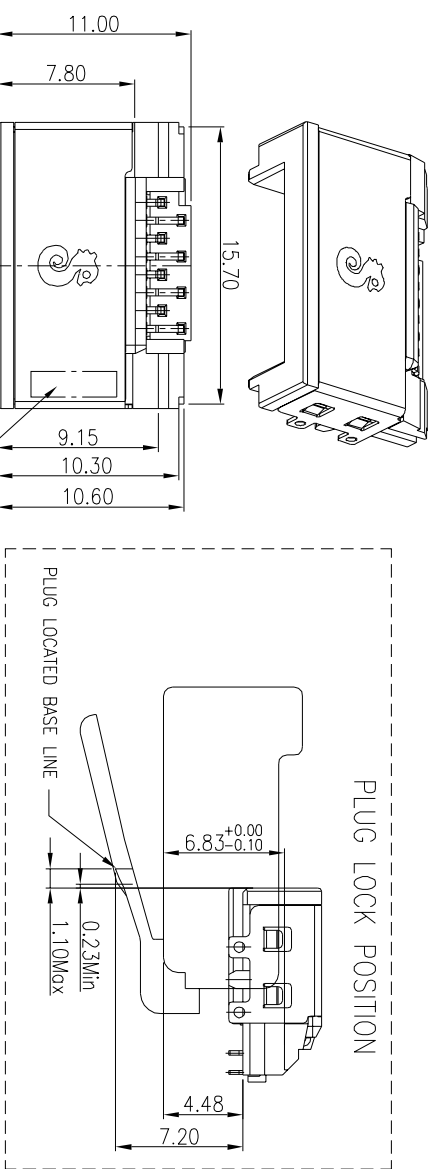
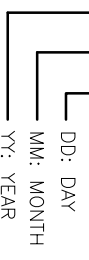


REV.	ECN NO OR DESCRIPTION	REVISED	DATE
A	PDR NO.T190508-10A	BING	2019.12.16



SPECIFICATIONS:

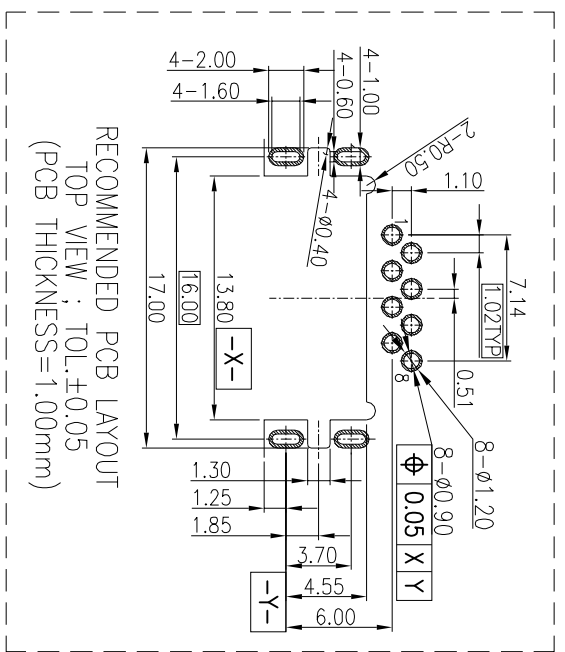
- 1. ELECTRICAL CHARACTERISTICS:**
- 1-1. CURRENT RATING: 0.5A MAX.
 - 1-2. VOLTAGE RATING: 150VAC MAX.
 - 1-3. CONTACT RESISTANCE : 50mΩ MAX.(INITIAL), 100mΩ MAX.(AFTER LIFE TEST).
 - 1-4. INSULATION RESISTANCE : 100MΩ MIN.
- 2. MECHANICAL CHARACTERISTICS:**
- 2-1. DURABILITY: 5000 CYCLES.
 - 2-2. INSERTION FORCE: 2.25kg MAX. WITH LATCH DEPRESSED.
 - 2-3. OPERATING TEMPERATURE: -30°C ~ +70°C.
- 3. MARKING: MARK "S" ON TOP OF THE CONNECTOR.**
- 4. PACKAGING : TAPE & REEL.**
- 5. TO CONFORM TO SINGATRON HAZARDOUS SUBSTANCE FREE SPEC.**
- 6. HALOGEN FREE PRODUCT IDENTIFICATION MARK ON PRODUCT: ○**
- 7. HALOGEN FREE PRODUCT IDENTIFICATION LOGO ON THE PACKAGING: ⊗**
- 8. FOR REFLOW SOLDERING LEAD-FREE PROCESS.**
- 9. PRINTED DATE CODE "YY MM DD" ON TOP OF THE CONNECTOR.**



NO	DESCRIPTION	QTY	MATERIAL	PLATING & COLOR
D	WAFER	1	HIGH TEMP.THERMOPLASTIC	BLACK
C	SHELL	1	STAINLESS STEEL	N: 50U "MIN.
B	8P8C CONTACT	8	PHOSPHOR BRONZE	GOLD PLATING ON CONTACT AREAS WASTE Sn 120u" ON SOLDER TAIL; ALL OVER N: 50U "MIN.
A	BODY	1	HIGH TEMP.THERMOPLASTIC	BLACK

UNLESS OTHERWISE SPECIFIED TOLERANCES

DECIMALS:	ANGLES:
X : ±0.50	X : ±2°
X.X : ±0.30	X.X : ±1°
X.XX : ±0.20	



RECOMMENDED PCB LAYOUT
TOP VIEW : TOL.±0.05
(PCB THICKNESS=1.00mm)