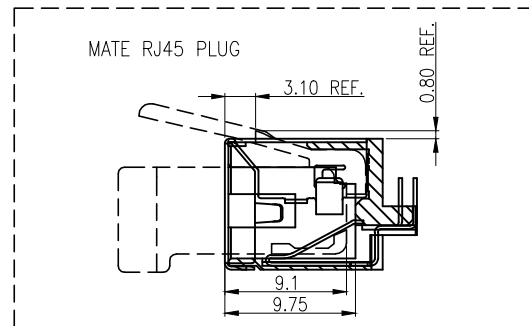
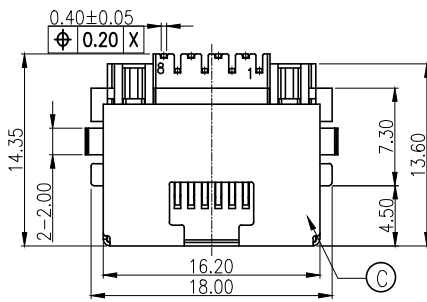


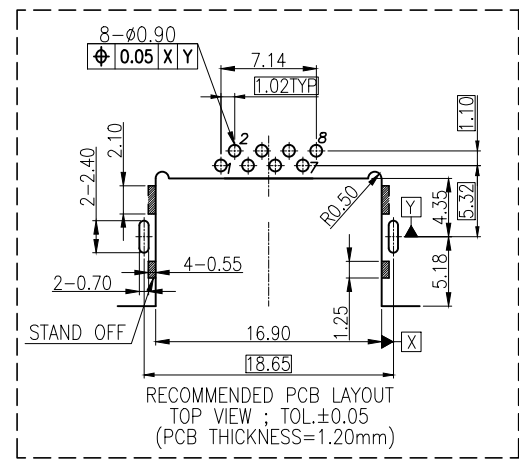
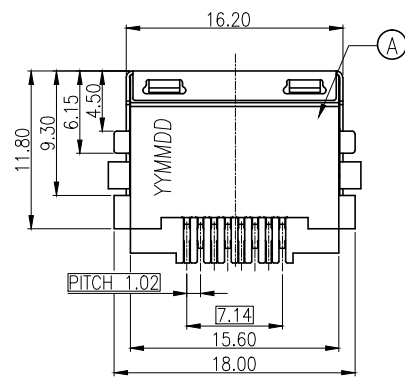
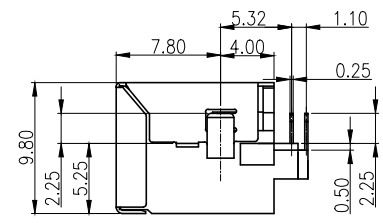
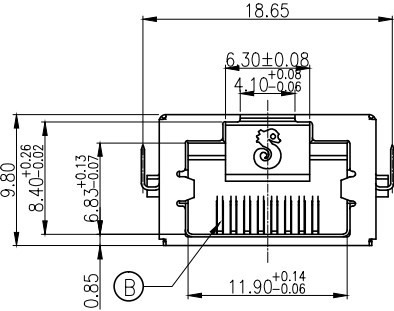
REV.	ECN NO OR DESCRIPTION	REVISED	DATE
A	PDR NO:T170613-9A	Allen	2017.10.09



SPECIFICATIONS:

- ELECTRICAL CHARACTERISTICS:
 - CURRENT RATING: 1.5A MAX.
 - VOLTAGE RATING: 150V MAX.
 - CONTACT RESISTANCE: 50mΩ MAX.(INITIAL), 100mΩ MAX.(AFTER LIFE TEST).
 - INSULATION RESISTANCE: 100MΩ MIN.
- MECHANICAL CHARACTERISTICS:
 - DURABILITY: 5000 CYCLES.
 - INSERTION FORCE: 2.25Kg MAX. WITH LATCH DEPRESSED.
 - WITHDRAWAL FORCE: 4.5Kg MAX. WITH LATCH DEPRESSED.
 - OPERATING TEMPERATURE: -30°C ~ +70°C.
- MARKING: MARK "S" INSIDE OF THE CONNECTOR.
- PACKAGING : TAPE & REEL.
- TO CONFORM TO SINGATRON HAZARDOUS SUBSTANCE FREE SPEC.
- HALOGEN FREE PRODUCT IDENTIFICATION
MARK ON PRODUCT: ○
- HALOGEN FREE PRODUCT IDENTIFICATION LOGO
ON THE PACKAGING: ⊗
- FOR REFLOW SOLDERING LEAD-FREE PROCESS.
- PRINTED DATE CODE" YY MM DD " ON TOP OF THE CONNECTOR.

DD: DAY
MM: MONTH
YY: YEAR



C	SHELL	1	SUS304-1/2H	NI PLATING ALL OVER
B	8P8C CONTACT	8	PHOSPHOR BRONZE	G/F ON CONTACT AREA; Matte Sn 120u" ON SOLDER TAIL; ALL OVER NI 50u"MIN.
A	BODY	1	LCP	UL 94V-0 & BLACK
NO	DESCRIPTION	QTY	MATERIAL	PLATING & COLOR

UNLESS OTHERWISE SPECIFIED TOLERANCES: Singatron Enterprise Co., Ltd. 信音企業股份有限公司

DECIMALS:	ANGLES:	TITLE	RJ45 JACK	
X ±0.5	X ±2°	DWN ALLEN	PART NO. 2RJ3054-0D8211F	
XX ±0.3	XX ±1°	CHKD James	SCALE 4:1	UNIT: mm
XX ±0.2		APVD Boye	SIZE: A3	SHEET: 1 / 1
			REV: A	
			CUSTOMER COPY	