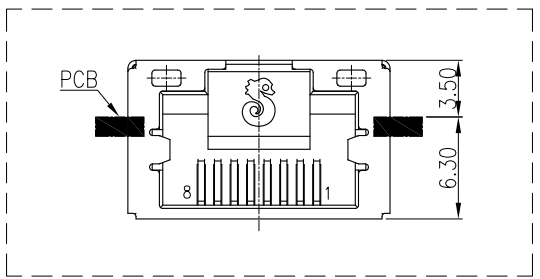
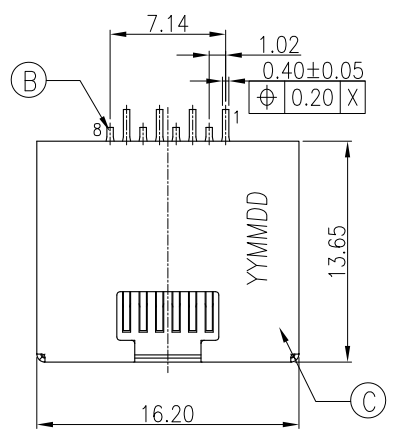
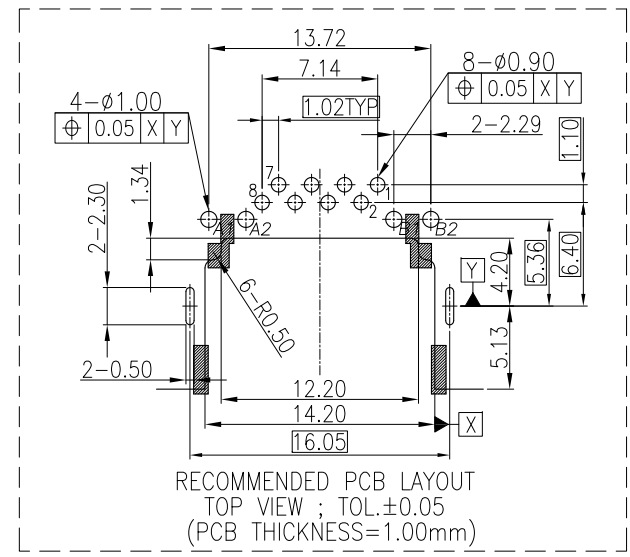
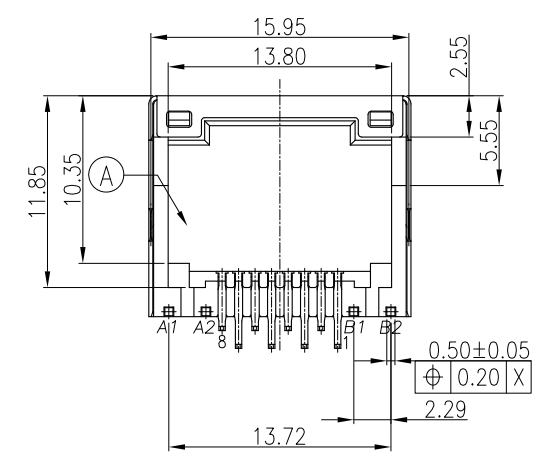
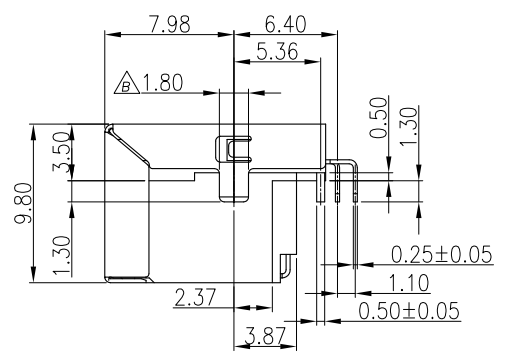
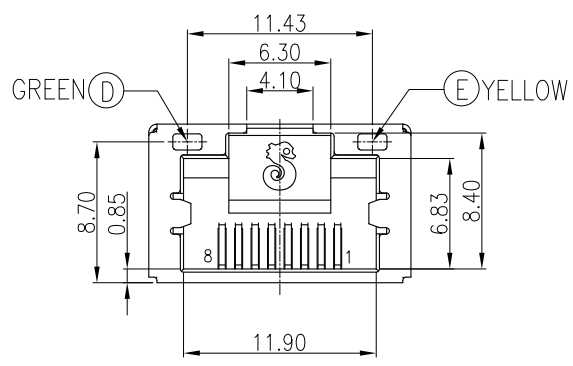


REV.	ECN NO OR DESCRIPTION	REVISED	DATE
A	PDR NO:T120917-5A	Sam	2013.04.08
B	ECN NO:S140725	James	2014.09.15



SPECIFICATIONS:

- ELECTRICAL CHARACTERISTICS:
 - 1-1. CURRENT RATING: 1.5A MAX.
 - 1-2. VOLTAGE RATING: 150V MAX.
 - 1-3. CONTACT RESISTANCE : 50mΩ MAX.(INITIAL). 100mΩ MAX.(AFTER LIFE TEST).
 - 1-4. INSULATION RESISTANCE : 100MΩ MIN.
- MECHANICAL CHARACTERISTICS:
 - 2-1. DURABILITY: 5000 CYCLES.
 - 2-2. INSERTION FORCE: 2.25Kg MAX. WITH LATCH DEPRESSED.
 - 2-3. WITHDRAWAL FORCE: 4.5Kg MAX. WITH LATCH DEPRESSED.
 - 2-4. OPERATING TEMPERATURE: -30℃ ~ +70℃.
- MARKING: MARK "S" INSIDE OF THE CONNECTOR.
- PACKAGING : TAPE & REEL.
- TO CONFORM TO SINGATRON HAZARDOUS SUBSTANCE FREE SPEC.
- HALOGEN FREE PRODUCT IDENTIFICATION
MARK ON PRODUCT:
- HALOGEN FREE PRODUCT IDENTIFICATION LOGO
ON THE PACKAGING:
- FOR REFLOW SOLDERING LEAD-FREE PROCESS.
- PRINTED DATE CODE" YY MM DD " ON TOP OF THE CONNECTOR.
 - DD: DAY
 - MM: MONTH
 - YY: YEAR



NODE	COLOR	
A1(-) A2(+)	GREEN	A1 ↔ A2
B1(-) B2(+)	YELLOW	B1 ↔ B2

F	MYLAR	△	1	15.2*7.0*0.06mm	YELLOW
E	LED		1		YELLOW
D	LED		1		GREEN
C	SHELL		1	COPPER ALLOY	NI PLATING ALL OVER
B	8P8C CONTACT		8	PHOSPHOR BRONZE	G/F ON CONTACT AREA; Matte Sn 120u" ON SOLDER TAIL; ALL OVER Ni 50u"MIN.
A	BODY		1	LCP	UL 94V-0 & BLACK
NO	DESCRIPTION	QTY	MATERIAL	PLATING & COLOR	

UNLESS OTHERWISE SPECIFIED TOLERANCES		Singatron Enterprise Co., Ltd. 信音企業股份有限公司	
DECIMALS:	ANGLES:	TITLE	RJ45 JACK
X : ±0.5	X : ±2°	DWN	James
X.X : ±0.3	X.X : ±1°	CHKD	
X.XX : ±0.2		APVD	Boye
		PART NO.	2RJ3055-108211F
		SCALE	4:1
		UNIT	mm
		SHEET	1 / 1
		REV	B
CUSTOMER COPY			