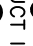

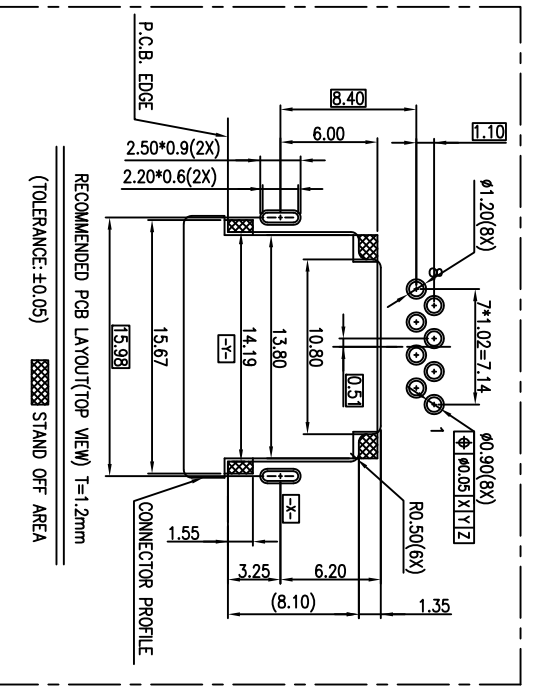
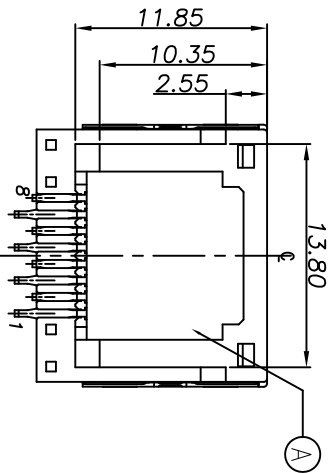
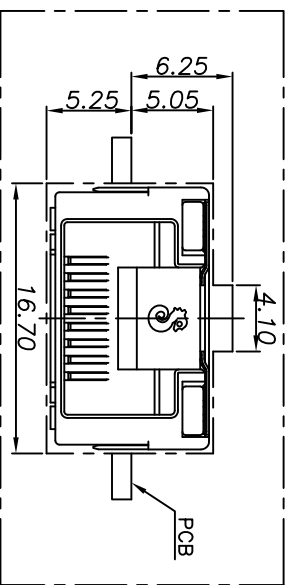
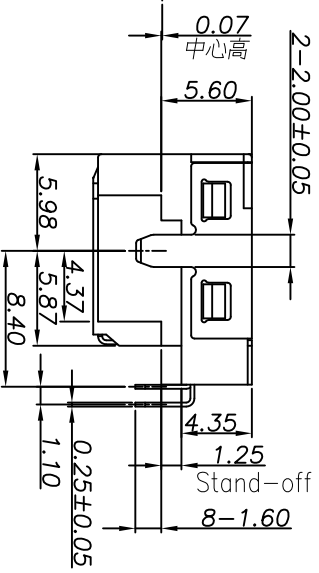
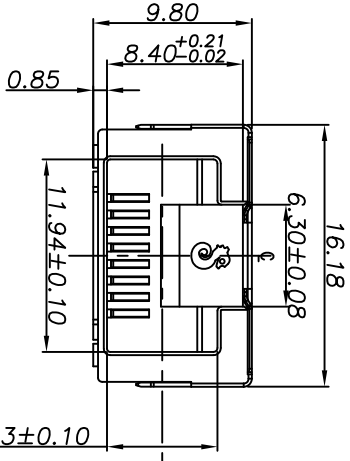
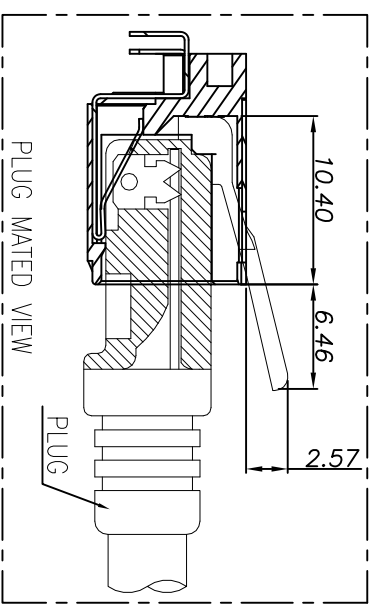
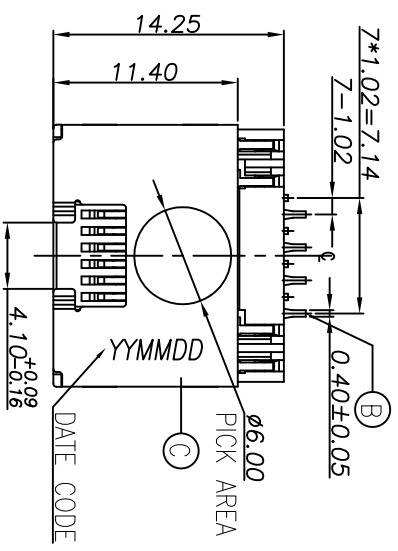


REV.	ECN NO. OR DESCRIPTION	REVISED	DATE
A	PDR NO.:T31112-6A	JAMES	2014.02.20

- SPECIFICATIONS:**
- ELECTRICAL CHARACTERISTICS:**
    - CURRENT RATING: 0.5A MAX.
    - VOLTAGE RATING: 150V MAX.
    - CONTACT RESISTANCE: 50mΩ MAX.(INITIAL), 100mΩ MAX.(AFTER LIFE TEST).
    - INSULATION RESISTANCE: 100MΩ MIN.
  - MECHANICAL CHARACTERISTICS:**
    - DURABILITY: 5000 CYCLES.
    - INSERTION FORCE: 2.25kg MAX. WITH LATCH DEPRESSED.
    - WITHDRAWAL FORCE: 4.5kg MAX. WITH LATCH DEPRESSED.
    - OPERATING TEMPERATURE: -30°C ~ +70°C.
  - MARKING: MARK "S" INSIDE OF THE CONNECTOR.
  - PACKAGING: TAPE & REEL.
  - TO CONFORM TO SINGATRON HAZARDOUS SUBSTANCE FREE SPEC.
  - HALOGEN FREE PRODUCT IDENTIFICATION
  - MARK ON PRODUCT:  ON THE PACKAGING:  ON THE PACKAGING.
  - FOR REFLOW SOLDERING LEAD-FREE PROCESS.
  - PRINTED DATE CODE "YY MM DD" ON TOP OF THE CONNECTOR.



NO.	DESCRIPTION	QTY	MATERIAL	PLATING & COLOR
C	SHELL	1	COPPER ALLOY	NI PLATING ALL OVER
B	8P8C CONTACT	8	PHOSPHOR BRONZE 0.25t	G/F ON CONTACT AREA; Matte Sn 120u" ON SOLDER TAIL; ALL OVER Ni 50u"MIN.
A	BODY	1	LCP E130I	UL 94V-0 & BLACK

UNLESS OTHERWISE SPECIFIED TOLERANCES

Singatron Enterprise Co., Ltd.  
信亨企業股份有限公司

DECIMALS:	ANGLES:	TITLE
X : ±0.50	X : ±2°	DWN JAMES
X.X : ±0.30	X.X : ±1°	CHKD
X.XX : ±0.20		APVD TONY

PART NO. 2RJ3060-008211F  
SCALE 4:1  
UNIT: mm  
SHEET: 1 / 1  
REV: A

CUSTOMER COPY

