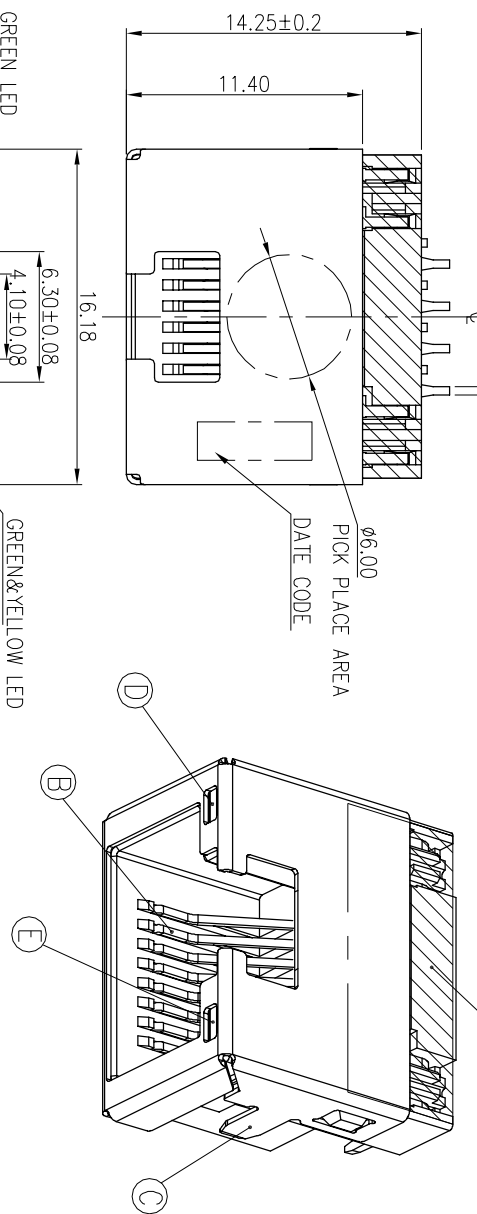
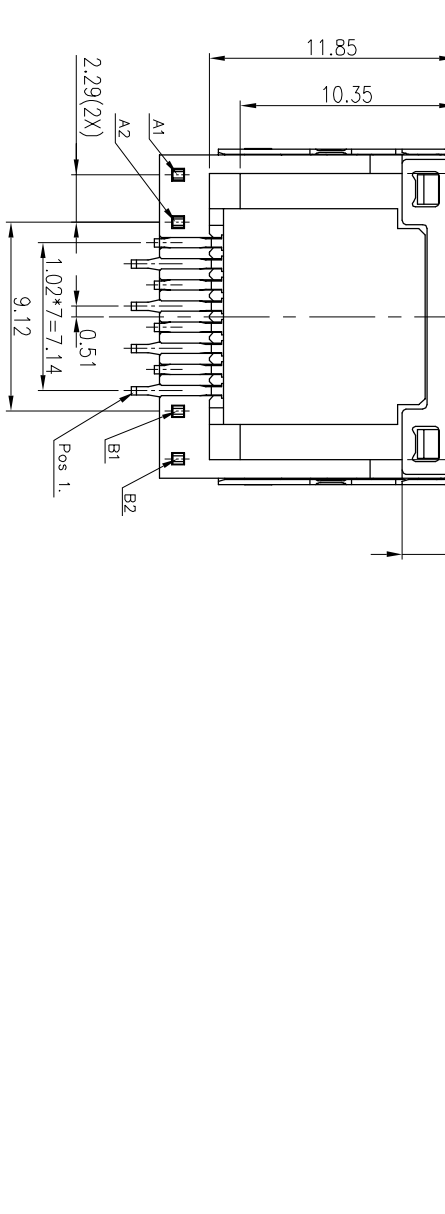
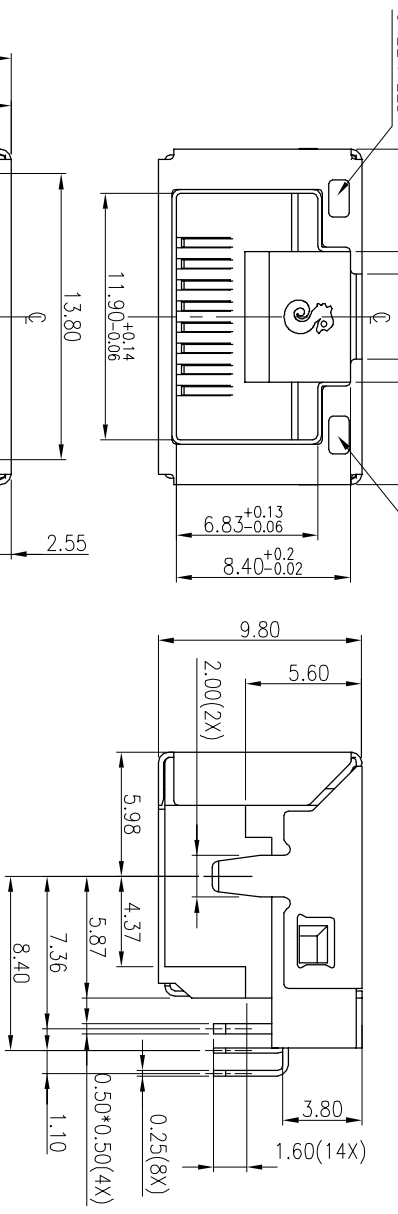


| REV | ECN NO | OR DESCRIPTION | REVISED | DATE |
|-----|--------------------|----------------|---------|------------|
| A | PDR NO. C180410-3A | PAN | | 2018.12.13 |



SPECIFICATIONS:

- ELECTRICAL CHARACTERISTICS:
 - CURRENT RATING: 1.5A MAX.
 - VOLTAGE RATING: 150V MAX.
 - CONTACT RESISTANCE : 50mΩ MAX.(INITIAL), 100mΩ MAX.(AFTER LIFE TEST).
 - INSULATION RESISTANCE : 100MΩ MIN.
- MECHANICAL CHARACTERISTICS:
 - DURABILITY: 5000 CYCLES.
 - INSERTION FORCE: 2.1kg MAX. WITH LATCH DEPRESSED.
 - WITHDRAWAL FORCE: 1) 0.98N(0.1 kgf) minimum without latch, 2) No extract 29.4N(3 kgf) minimum with latch.
 - OPERATING TEMPERATURE: -30℃ ~ +70℃
- MARKING: MARK "S" INSIDE OF THE CONNECTOR.
- PACKAGING : TAPE & REEL.
- TO CONFORM TO SINGATRON HAZARDOUS SUBSTANCE FREE SPEC.
- HALOGEN FREE PRODUCT IDENTIFICATION MARK ON PRODUCT:
- HALOGEN FREE PRODUCT IDENTIFICATION LOGO ON THE PACKAGING:
- FOR REFLOW SOLDERING LEAD-FREE PROCESS.
- PRINTED DATE CODE "YY MM DD " ON TOP OF THE CONNECTOR.



| NODE | COLOR | |
|-------|-------|--------|
| A1(+) | A2(-) | GREEN |
| B1(+) | B2(-) | GREEN |
| B1(-) | B2(+) | YELLOW |

UNLESS OTHERWISE SPECIFIED TOLERANCES

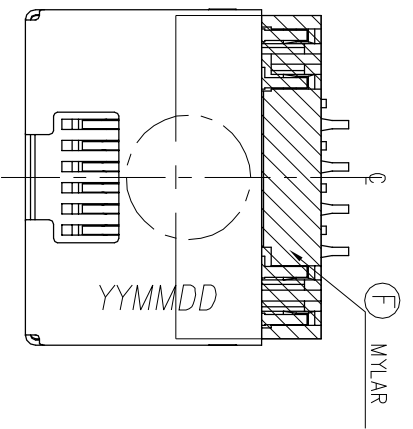
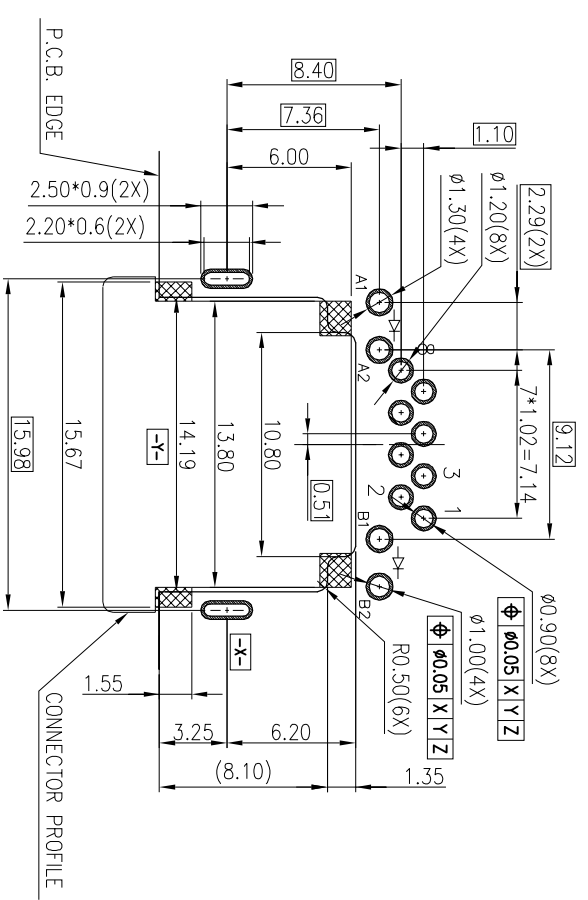
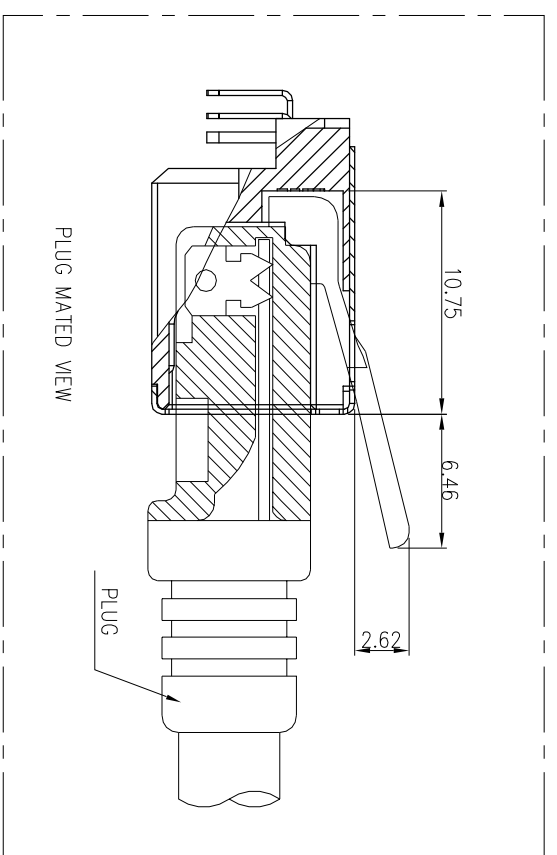
Singatron Enterprise Co., Ltd.
信晉企業股份有限公司

| DECIMALS: | ANGLES: | TITLE | PART NO. | SCALE | UNIT | SHEET | REV |
|------------|----------|-------|----------|-------|------|--------|-----|
| X :±0.5 | X :±2° | DWN | pon | 1:1 | mm | 1 OF 2 | A |
| X.X :±0.3 | X.X :±1° | CHKD | james | 1:1 | mm | | |
| X.XX :±0.2 | | APVD | boye | A3 | | | |

RJ45

CUSTOMER COPY

| REV | ECN NO OR DESCRIPTION | REVISED | DATE |
|-----|-----------------------|---------|------------|
| A | PDR NO:C180410-3A | PAN | 2018.12.13 |



| NO | DESCRIPTION | QTY | MATERIAL | PLATING & COLOR |
|----|--------------|-----|-----------------------------|---|
| F | MYLAR | 1 | 15.2*7.0*0.06 | YELLOW |
| E | LED | 1 | | GREEN YELLOW |
| D | LED | 1 | | GREEN |
| C | SHELL | 1 | STAINLESS STEEL, T=0.25mm | BLACK NI PLATING ALL OVER |
| B | 8P8C CONTACT | 8 | PHOSPHOR BRONZE T=0.25mm | 5 U" Au ON CONTACT AREA; Matte Sn ON SOLDER TAIL; ALL OVER NI |
| A | BODY | 1 | HIGH TEMP THERMOPLASTIC | UL 94V-0 & BLACK |
| NO | DESCRIPTION | QTY | MATERIAL | PLATING & COLOR |

UNLESS OTHERWISE SPECIFIED TOLERANCES

Singatron Enterprise Co., Ltd.
信晉企業股份有限公司

DECIMALS: ANGLES:

X :±0.5 X :±2'
X.X :±0.3 X.X :±1'
X.XX :±0.2

TITLE: R345

DWN pon PART NO.2R33080-168211F
CHKD james SCALE 1:1 UNIT: mm
APVD bove SIZE: A3 SHEET: 2 OF 2 REV: A

CUSTOMER COPY

