

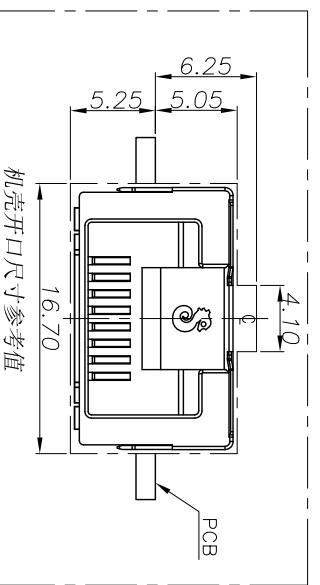
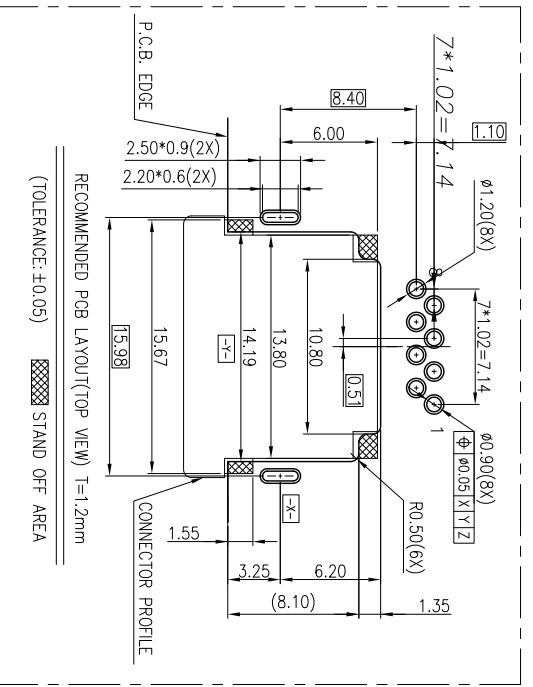
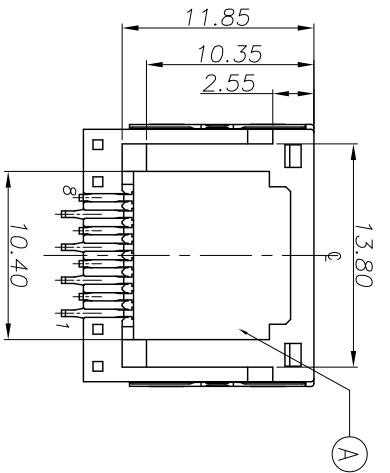
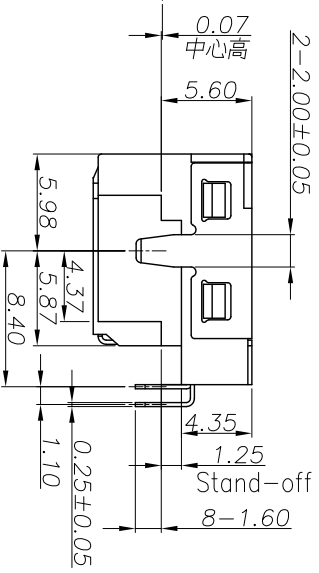
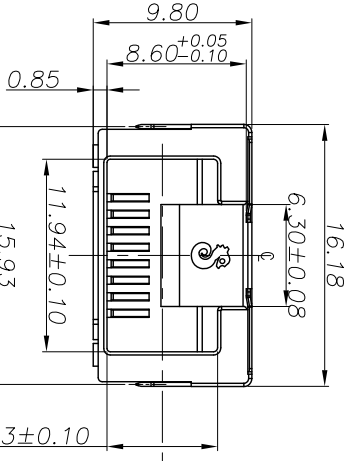
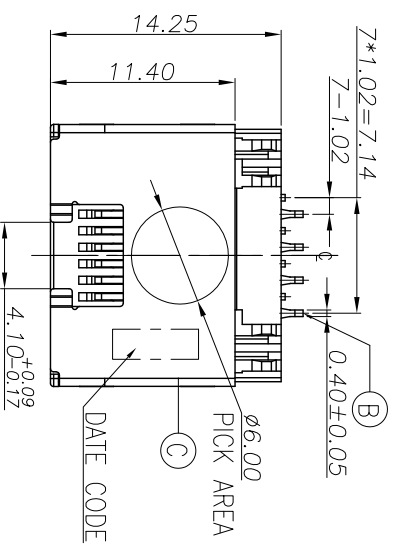
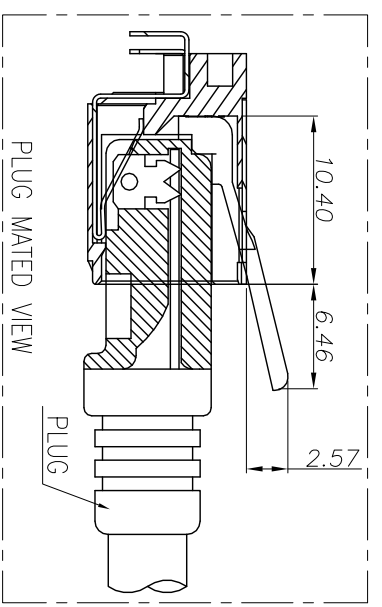

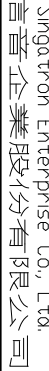


REV.	ECN NO. OR DESCRIPTION	REVISED	DATE
A	PDR NO:1230414-1A	LIRUI	2023.08.15

- SPECIFICATIONS:**
- ELECTRICAL CHARACTERISTICS:**
    - 1-1. CURRENT RATING: 0.5A MAX.
    - 1-2. VOLTAGE RATING: 150V MAX.
    - 1-3. CONTACT RESISTANCE : 50mΩ MAX.(INITIAL).  
100mΩ MAX.(AFTER LIFE TEST).
    - 1-4. INSULATION RESISTANCE: 100MΩ MIN.
  - MECHANICAL CHARACTERISTICS:**
    - 2-1. DURABILITY: 5000 CYCLES.
    - 2-2. INSERTION FORCE: 2.25kg MAX. WITH LATCH DEPRESSED.
    - 2-3. WITHDRAWAL FORCE: 4.5kg MAX. WITH LATCH DEPRESSED.
    - 2-4. OPERATING TEMPERATURE: -30℃ ~ +70℃.
  - MARKING: MARK "S" INSIDE OF THE CONNECTOR.
  - PACKAGING : TAPE & REEL.
  - TO CONFORM TO SINGATRON HAZARDOUS SUBSTANCE FREE SPEC.
  - HALOGEN FREE PRODUCT IDENTIFICATION
  - MARK ON PRODUCT:  ON THE PACKAGING;  
ON THE PACKAGING:  ON THE PACKAGING;
  - FOR REFLOW SOLDERING LEAD-FREE PROCESS.
  - PRINTED DATE CODE "YY MM DD" ON TOP OF THE CONNECTOR.



C	SHELL	1	COPPER ALLOY	NI PLATING ALL OVER
B	8P8C CONTACT	8	PHOSPHOR BRONZE 0.25t	C/F ON CONTACT AREA: Motte Sn 120u" ON SOLDER TAIL; ALL OVER Ni 50u"MIN.
A	BODY	1	LCP E130I	UL 94V-0 & BLACK
NO.	DESCRIPTION	QTY	MATERIAL	PLATING & COLOR
UNLESS OTHERWISE SPECIFIED TOLERANCES				
 Singatron Enterprise Co., Ltd. 				
DECIMALS: ANGLES:				
X	±0.50	X	±2°	
X.X	±0.30	X.X	±1°	
X.XX	±0.20			
TITLE R/45 JACK				
DWN	LIRUI	PART NO.	2RJ3060-178211F	
CHKD	ALLEN	SCALE	4:1	UNIT: mm
APVD	BOYE	SIZE:	A3	SHEET: 1 / 1
CUSTOMER COPY				