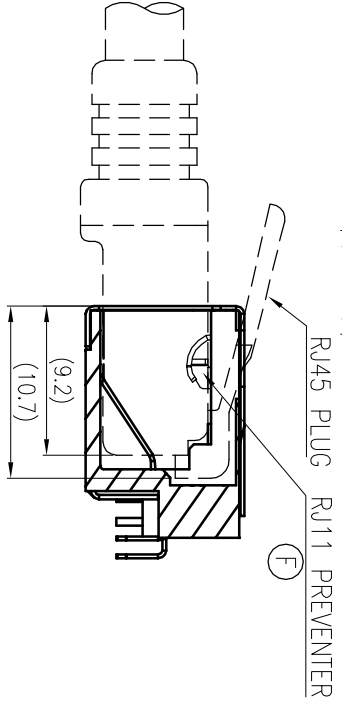
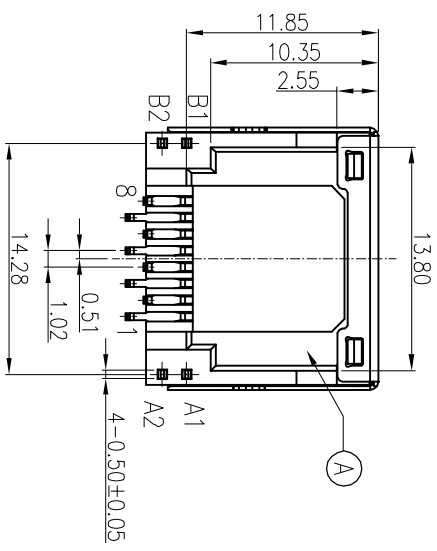
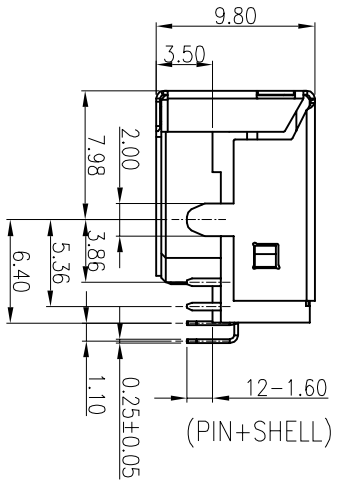
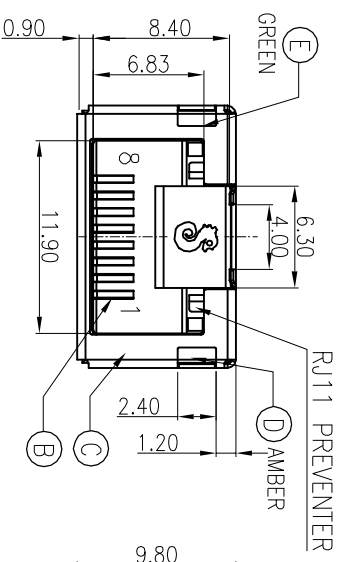


RECOMMENDED PCB LAYOUT
TOP VIEW : TOL.±0.05
(PCB THICKNESS=1.20mm)



MATE RJ45 PLUG
REFERENCE

SPECIFICATIONS:

- ELECTRICAL CHARACTERISTICS:
 - CURRENT RATING: 0.5A MAX.
 - VOLTAGE RATING: 150V MAX.
 - CONTACT RESISTANCE: 50mΩ MAX.(INITIAL), 100mΩ MAX.(AFTER LIFE TEST), 100mΩ MIN.
 - INSULATION RESISTANCE: 100MΩ MIN.
- MECHANICAL CHARACTERISTICS:
 - DURABILITY: 5000 CYCLES.
 - INSERTION FORCE: 2.25kg MAX. WITH LATCH DEPRESSED.
 - WITHDRAWAL FORCE: 4.5kg MAX. WITH LATCH DEPRESSED.
 - OPERATING TEMPERATURE: -30°C ~ +70°C.
- MARKING: MARK "S" INSIDE OF THE CONNECTOR.
- PACKAGING : TAPE & REEL.
- TO CONFORM TO SINGATRON HAZARDOUS SUBSTANCE FREE SPEC.
- HALOGEN FREE PRODUCT IDENTIFICATION MARK ON PRODUCT: ○
- HALOGEN FREE PRODUCT IDENTIFICATION LOGO ON THE PACKAGING: ⊕
- FOR REFLOW SOLDERING LEAD-FREE PROCESS.
- PRINTED DATE CODE" YY MM DD " ON TOP OF THE CONNECTOR.



MODE	COLOR
AZ(+)	AMBER
A1(-)	AMBER
B2(+)	B1(-)
B1(-)	GREEN
B2(+)	B1(-)

MODE	COLOR	PLATING
F	RJ11 PREVENTER	2
E	LED	1
D	LED	1
C	SHELL	1
B	8P8C CONTACT	8
A	BODY	1

NO.	DESCRIPTION	QTY	MATERIAL	PLATING & COLOR
C	SHELL	1	STAINLESS STEEL T:0.25mm	BLACK NI PLATING ALL OVER
B	8P8C CONTACT	8	PHOSPHOR BRONZE T:0.25mm	C/F ON CONTACT AREA: Matte Sn 120u" ON SOLDER TAIL: ALL OVER Ni 50u"MIN.
A	BODY	1	PA-10T 30%GF	UL 94V-0 & BLACK

Singatron Enterprise Co., Ltd.
信晉企業股份有限公司

DECIMALS:	ANGLES:
X :±0.5	X :±2°
X.X :±0.3	X.X :±1°
X.XX :±0.2	

TITLE	RJ45 JACK
DWN	Alien
CHKD	James
APVD	Boye

REV.	ECN NO OR DESCRIPTION	REVISED	DATE
A	PDR NO:T141217-3A	JAMES	2015.05.22
B	ECN NO:S150607-C	JAMES	2015.08.03
C	ECN NO:S160422-C	Alien	2016.05.16