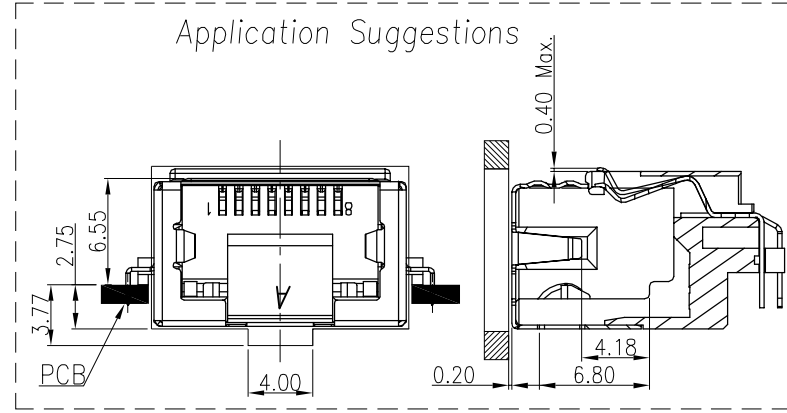
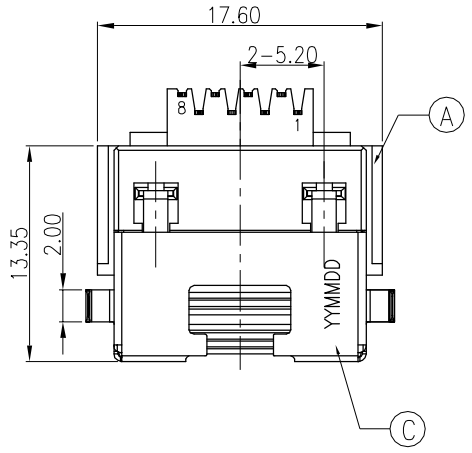


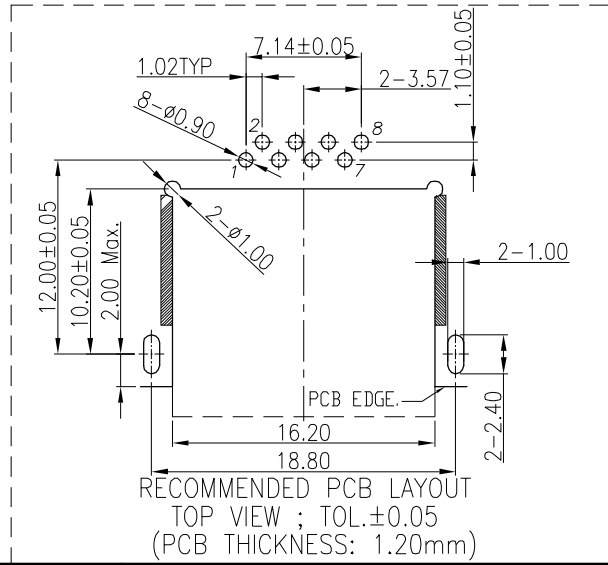
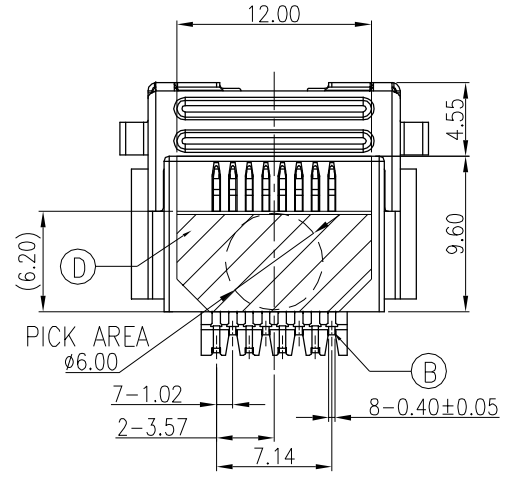
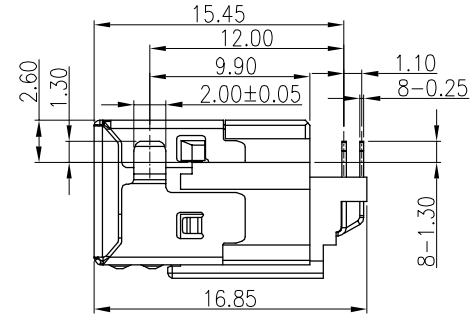
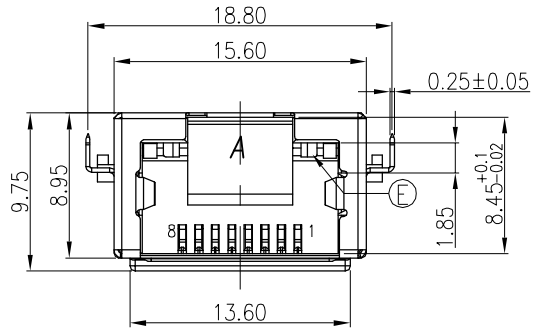
REV.	ECN NO OR DESCRIPTION	REVISED	DATE
D	ECN NO.S202105-R04	XIAO	2021.06.16
E	ECN NO.S202107-R29	XIAO	2021.09.01
F	ECN NO.S202112-E07	PAN	2022.04.07



SPECIFICATIONS:

- ELECTRICAL CHARACTERISTICS:
 - CURRENT RATING: 1.5A Max.
 - VOLTAGE RATING: 150VAC Max.
 - CONTACT RESISTANCE: 50mΩ Max.(INITIAL), 100mΩ Max.(AFTER LIFE TEST).
 - INSULATION RESISTANCE: 100MΩ Min.
- MECHANICAL CHARACTERISTICS:
 - DURABILITY: 5000 CYCLES.
 - INSERTION FORCE: 2.25Kg Max. WITH LATCH DEPRESSED.
 - WITHDRAWAL FORCE: 4.5Kg Max. WITH LATCH DEPRESSED.
 - OPERATING TEMPERATURE: -30°C ~ +70°C.
- PACKAGING: TAPE & REEL.
- TO CONFORM TO SINGATRON HAZARDOUS SUBSTANCE FREE SPEC.
- HALOGEN FREE PRODUCT IDENTIFICATION MARK ON PRODUCT:
- HALOGEN FREE PRODUCT IDENTIFICATION LOGO ON THE PACKAGING:
- FOR REFLOW SOLDERING LEAD-FREE PROCESS.
- PRINTED DATE CODE "YY MM DD" ON TOP OF THE CONNECTOR.

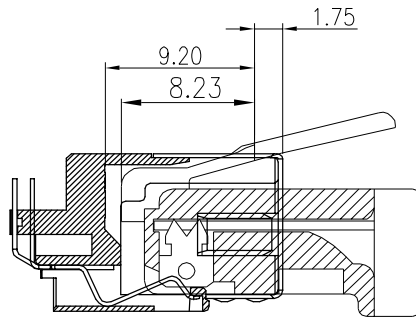
DD: DAY
MM: MONTH
YY: YEAR



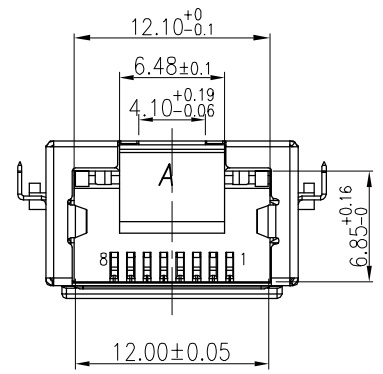
E	Stopper	2	Stainless Steel	N/A
D	Mylar	1	12.00*9.6	N/A
C	SHELL	1	Stainless Steel	60μm Min. Solderable nickel plating.
B	8PBC Terminal	8	PHOSPHOR BRONZE 0.25T	G/F plating on contact area, 120μm Min. Matte Tin plating on solder tail area, 50μm Min. Nickel under plating.
A	BODY	1	HIGH TEMP.THERMOPLASTIC UL 94V-0 (No Recycling Material)	BLACK
NO	DESCRIPTION	QTY	MATERIAL	PLATING & COLOR
UNLESS OTHERWISE SPECIFIED TOLERANCES			Singatron Enterprise Co., Ltd. 信音企業股份有限公司	
DECIMALS:		ANGLES:		TITLE
X	:±0.5	X	:±2°	RJ45 JACK
X.X	:±0.3	X.X	:±1°	DWN PAN PART NO. 2RJ3066-028211F
X.XX	:±0.2			CHKD allen SCALE 4:1 UNIT: mm
		APVD boye	SIZE: A3	SHEET: 1 / 2 REV: F
CUSTOMER COPY				

REV.	ECN NO OR DESCRIPTION	REVISED	DATE
D	ECN NO.S202105-R04	XIAO	2021.06.16
E	ECN NO.S202107-R29	XIAO	2021.09.01
F	ECN NO.S202112-E07	PAN	2022.04.07

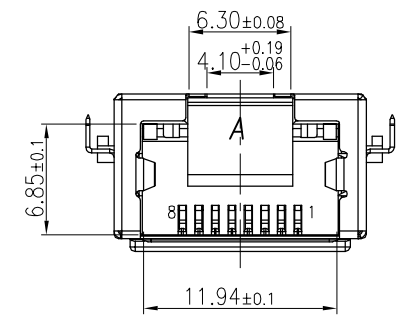
公母對插示意圖



Before Reflow Dimensions Spec



After Reflow Dimensions Spec



NO	DESCRIPTION	QTY	MATERIAL	PLATING & COLOR
UNLESS OTHERWISE SPECIFIED TOLERANCES			Singatron Enterprise Co., Ltd. 信音企業股份有限公司	
DECIMALS:	ANGLES:	TITLE	RJ45 JACK	
X :±0.5	X :±2°	DWN PAN	PART NO. 2RJ3066-028211F	
X.X :±0.3	X.X :±1°	CHKD allen	SCALE 4:1	UNIT: mm
X.XX :±0.2		APVD boye	SIZE: A3	SHEET: 2 / 2
CUSTOMER COPY				