

REV.	ECN NO OR DESCRIPTION	REVISED	DATE
A	PDR RELEASE	Even	2018.01.05
B	ECN S180626-C	PAN	2018.07.19
C	ECN NO:L202211-C04	EVEN	2022.12.13

SPECIFICATIONS:

- VOLTAGE RATING: 150 VAC MAX.
- CURRENT RATING: 1.5 AMP MAX.
- INSULATION RESISTANCE: 500M OHMS MIN. AT 500 VDC.
- DIELECTRIC WITHSTANDING VOLTAGE: 500 VAC 60Hz 1 MINUTE.
- DURABILITY: 5000 CYCLES .
- OPERATING TEMPERATURE: -30°C TO +70°C.
- TO CONFORM TO SINGATRON HAZARDOUS SUBSTANCE FREE SPEC.
- HALOGEN FREE PRODUCT IDENTIFICATION LABEL ON PACKAGING:
- PACKAGE: SEE "2RJ3068-008211F" PACKAGE.
- FOR REFLOW SOLDERING LEAD-FREE PROCESS.
- MATES WITH MODULAR PLUG CONFORMING TO FCC PART 68, SUBPART F.
- OTHER GENERAL SPEC. TO REFER "2RJ3068-008211F SPEC".



PART NO.  
2RJ3068-008211F

SUFFIX: HALOGEN FREE

PACKAGE

1: TAPE & REEL

HOUSING COLOR

1: BLACK

CONTACT AREA PLATING

2: 5u"Au+25u"Pd/Ni PLATING ON CONTACT AREA,  
50u" MIN.TIN PLATING ON SOLDER AREA.  
30u" MIN.NICKEL UNDERPLATED OVERALL.

F	PLASTIC	1	PA9T UL 94V-0	BLACK
E	CAP	1	LCP UL 94V-0	BLACK
D	LED	2	GREEN/GREEN,AMBER	TIN
C	SHIELD	1	SUS201	50u" NICKEL PLATED
B	CONTACT	8	C5210	SEE PART NO.
A	HOUSING	1	PA10T UL 94V-0	BLACK

NO	DESCRIPTION	QTY	MATERIAL	PLATING & COLOR
----	-------------	-----	----------	-----------------

UNLESS OTHERWISE SPECIFIED TOLERANCES

信音科技(香港)有限公司

DECIMALS: ANGLES:

X :±0.5 X :±2°

X.X :±0.3 X.X :±1°

X.XX :±0.2

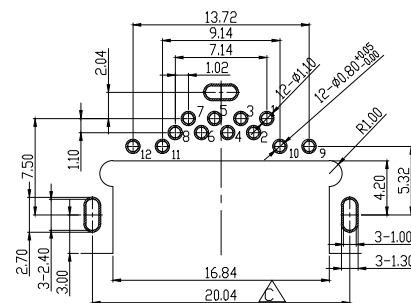
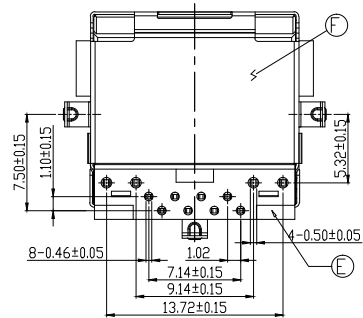
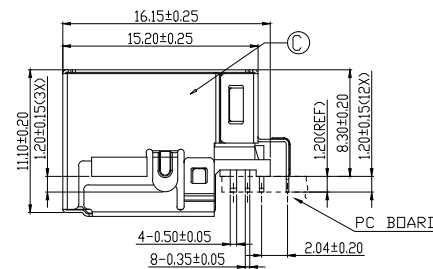
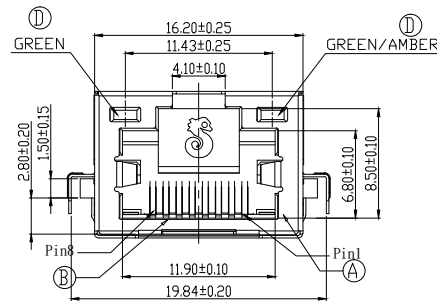
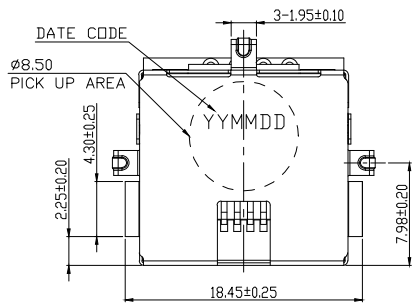
TITLE RJ45 JACK, R/A, W/LED, SINKING, DIP TYPE ,H=8.30mm

DWN EVEN 2022.12.13 PART NO. 2RJ3068-008211F

CHKD SCALE 3/1 UNIT: mm

APVD TERESA2022.12.13 SIZE: A3 SHEET:1 OF 1 REV:C

CUSTOMER COPY



RECOMMENDED PCB LAYOUT  
TOLERANCE:±0.05mm  
RECOMMENDED PCB THICKNESS:1.60±0.05

LED ELECTRICAL CHARACTERISTIC		
NODE	COLOR	Symbol
10(+)-9(-)	GREEN	10-9
10(-)-9(+)	AMBER	10-9
12(+)-11(-)	GREEN	12-11