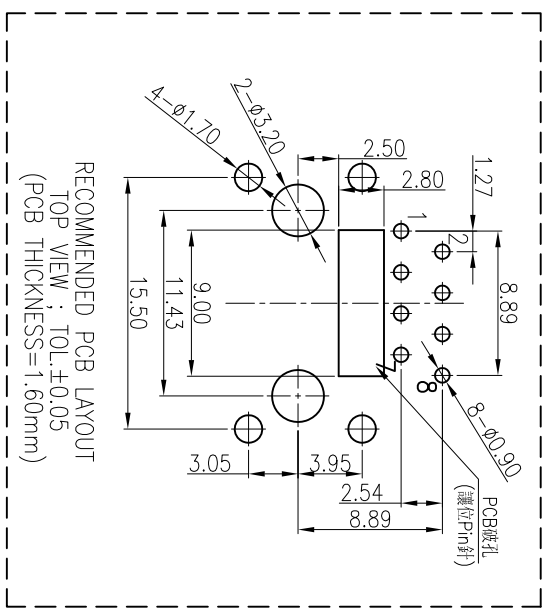
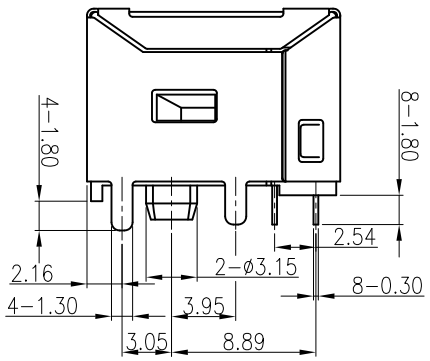
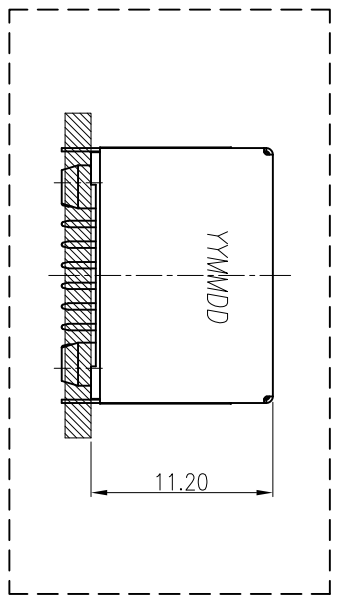
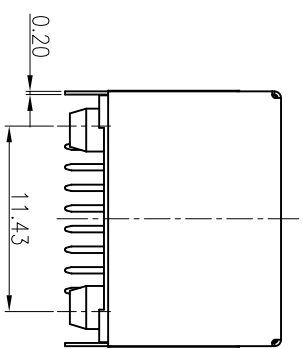
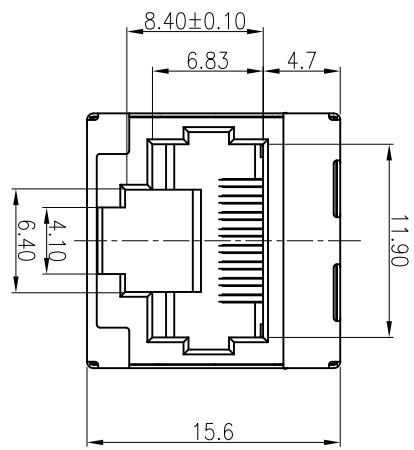
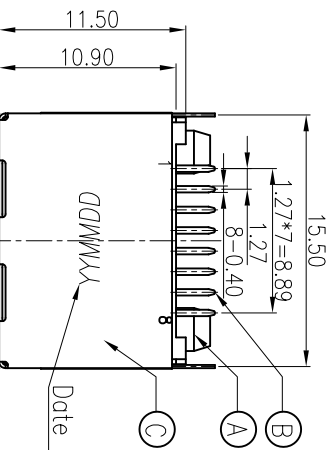


REV.	ECN NO. OR DESCRIPTION	REVISED	DATE
A	PDR NO: I130219-5A	Sam	2013.07.18
B	ECN NO: S141129	ALLEN	2015.01.26



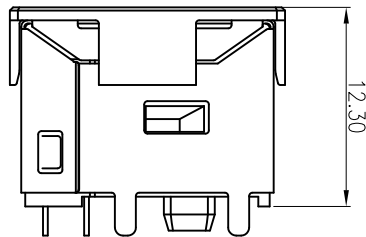
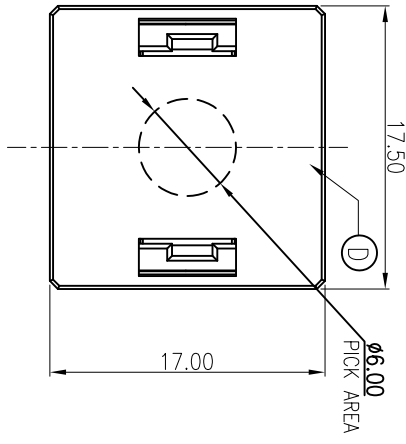
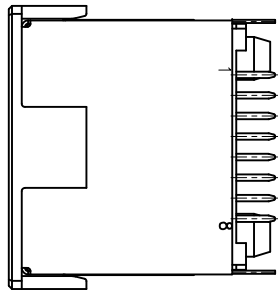
SPECIFICATIONS:

- ELECTRICAL CHARACTERISTICS:
 - CURRENT RATING: 1.5A MAX.
 - VOLTAGE RATING: 150V MAX.
 - CONTACT RESISTANCE: 50mΩ MAX.(INITIAL), 100mΩ MAX.(AFTER LIFE TEST).
 - INSULATION RESISTANCE: 100MΩ MIN.
- MECHANICAL CHARACTERISTICS:
 - DURABILITY: 10000 CYCLES.
 - INSERTION FORCE: 2.25kg MAX. WITH LATCH DEPRESSED.
 - WITHDRAWAL FORCE: 4.5kg MAX. WITH LATCH DEPRESSED.
 - OPERATING TEMPERATURE: -30°C ~ +70°C.
- MARKING: MARK "S" INSIDE OF THE CONNECTOR.
- PACKAGING : TAPE & REEL.
- TO CONFORM TO SINGATRON HAZARDOUS SUBSTANCE FREE SPEC.
- HALOGEN FREE PRODUCT IDENTIFICATION
- HALOGEN FREE PRODUCT IDENTIFICATION LOGO ON THE PACKAGING:
- FOR REFLOW SOLDERING LEAD-FREE PROCESS.
- PRINTED DATE CODE "YY MM DD" ON TOP OF THE CONNECTOR.
- DD: DAY
MM: MONTH
YY: YEAR
- Samsung Part Number: 3722-003787

NO	DESCRIPTION	QTY	MATERIAL	PLATING & COLOR
UNLESS OTHERWISE SPECIFIED TOLERANCES				
DECIMALS:	ANGLES:			
X : ±0.5	X : ±2°			
X.X : ±0.3	XX : ±1°			
X.XX : ±0.2				
TITLE	R445 JACK			
DWN	ALLEN	PART NO.	2R3073-008211F	
CHKD	James	SCALE	4:1	UNIT: mm
APVD	BOYE	SIZE:	A3	SHEET: 1 / 2
REV: B				
CUSTOMER COPY				


Singatron Enterprise Co., Ltd.
 信音企業股份有限公司

REV.	ECN NO. OR DESCRIPTION	REVISED	DATE
A	PDR NO: T130219-5A	Som	2013.07.18
B	ECN NO: S141129	ALLEN	2015.01.26



D	CAP	1	HIGH TEMP.THERMOPLASTIC	UL 94V-0 & BLACK
C	SHELL	1	COPPER ALLOY	NI PLATING ALL OVER
B	8P8C CONTACT	8	PHOSPHOR BRONZE	C/F ON CONTACT AREA: Mate Sn 120u" ON SOLDER TAIL: ALL OVER Ni 50u"MIN.
A	BODY	1	HIGH TEMP.THERMOPLASTIC	UL 94V-0 & BLACK
NO.	DESCRIPTION	QTY	MATERIAL	PLATING & COLOR

UNLESS OTHERWISE SPECIFIED TOLERANCES

 Singatron Enterprise Co., Ltd.
 信晉企業股份有限公司

TITLE	R/45 JACK			
DWN	ALLEN	PART NO.	2RJ3073-008211F	
CHKD	James	SCALE	4:1	UNIT: mm
APVD	BOYE	SIZE:	A3	SHEET: 2 / 2
				REV: B

CUSTOMER COPY

