

RECOMMENDED PCB LAYOUT
TOP VIEW ; TOL.±0.05
(PCB THICKNESS=1.00mm)

REV.	ECN NO OR DESCRIPTION	REVISED	DATE
A	PDR NO: T141117-5B	ALLEN	2015.03.23
B	ECN NO: S181237-R	PAN	2019.07.12
C	ECN NO: S202305-R04	PAN	2023.07.04

SPECIFICATIONS:

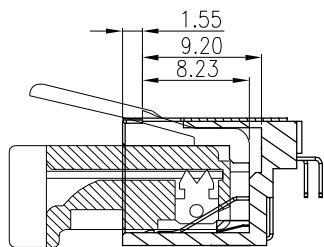
- ELECTRICAL CHARACTERISTICS:
 - CURRENT RATING: 1.5A MAX.
 - VOLTAGE RATING: 150V MAX.
 - CONTACT RESISTANCE : 50mΩ MAX.(INITIAL).
100mΩ MAX.(AFTER LIFE TEST).
 - INSULATION RESISTANCE : 100MΩ MIN.
 - Dielectric Withstanding Voltage : 500 V AC Max.
- MECHANICAL CHARACTERISTICS:
 - DURABILITY: 5000 CYCLES.
 - INSERTION FORCE: 2.25Kg MAX. WITH LATCH DEPRESSED.
 - WITHDRAWAL FORCE: 4.5Kg MAX. WITH LATCH DEPRESSED.
 - OPERATING TEMPERATURE: -30℃ ~ +70℃.
- MARKING: MARK "S" INSIDE OF THE CONNECTOR.
- PACKAGING : TAPE & REEL.
- TO CONFORM TO SINGATRON HAZARDOUS SUBSTANCE FREE SPEC.
- HALOGEN FREE PRODUCT IDENTIFICATION
MARK ON PRODUCT:
- HALOGEN FREE PRODUCT IDENTIFICATION LOGO
ON THE PACKAGING:
- FOR REFLOW SOLDERING LEAD-FREE PROCESS.
- PRINTED DATE CODE "YY MM DD" ON TOP OF THE CONNECTOR.

DD: DAY
MM: MONTH
YY: YEAR

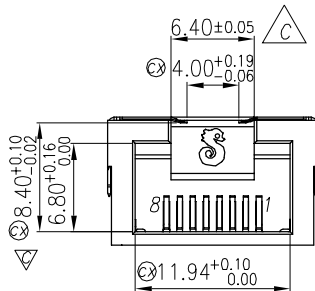
D	RJ11 STOPPER	2	HIGH TEMP.THERMOPLASTIC	UL 94V-0 & BLACK								
C	SHELL	1	COPPER ALLOY	NI PLATING ALL OVER								
B	TERMINAL	8	PHOSPHOR BRONZE	NI PLATING ALL OVER G/F ON CONTACT AREA; Matte Sn 120u" ON SOLDER TAIL; ALL OVER Ni 50u"MIN.								
A	HOUSING	1	HIGH TEMP.THERMOPLASTIC	UL 94V-0 & BLACK								
NO	DESCRIPTION	QTY	MATERIAL	PLATING & COLOR								
UNLESS OTHERWISE SPECIFIED TOLERANCES			Singatron Enterprise Co., Ltd. 信音企業股份有限公司									
DECIMALS: X :±0.5 X.X :±0.3 X.XX :±0.2		ANGLES: X :±2° X.X :±1°		<table border="1"> <thead> <tr> <th>TITLE</th> <th>TITLE</th> </tr> </thead> <tbody> <tr> <td>DWN</td> <td>PAN PART NO. 2RJ3075-038211F</td> </tr> <tr> <td>CHKD</td> <td>JAMES SCALE 1:1 UNIT: mm</td> </tr> <tr> <td>APVD</td> <td>BOYE SIZE: A3 SHEET: 10F2 REV: C</td> </tr> </tbody> </table>	TITLE	TITLE	DWN	PAN PART NO. 2RJ3075-038211F	CHKD	JAMES SCALE 1:1 UNIT: mm	APVD	BOYE SIZE: A3 SHEET: 10F2 REV: C
TITLE	TITLE											
DWN	PAN PART NO. 2RJ3075-038211F											
CHKD	JAMES SCALE 1:1 UNIT: mm											
APVD	BOYE SIZE: A3 SHEET: 10F2 REV: C											
CUSTOMER COPY												

REV.	ECN NO OR DESCRIPTION	REVISED	DATE
A	PDR NO: T141117-5B	ALLEN	2015.03.23
B	ECN NO: S181237-R	PAN	2019.07.12
C	ECN NO: S202305-R04	PAN	2023.07.04

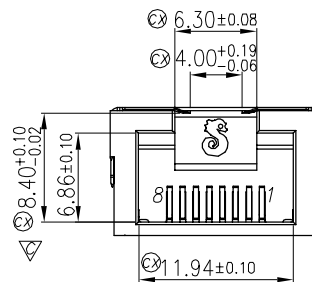
公母對插示意圖



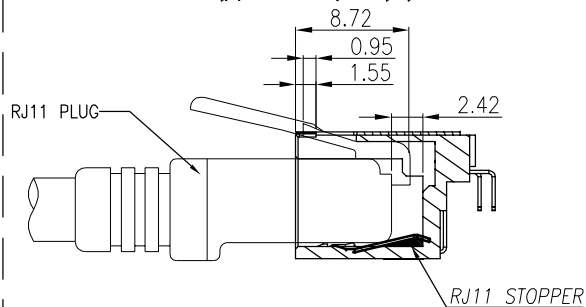
Before IR Reflow Dimensions Spec



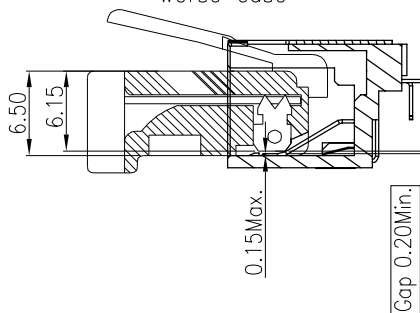
After IR Reflow Dimensions Spec



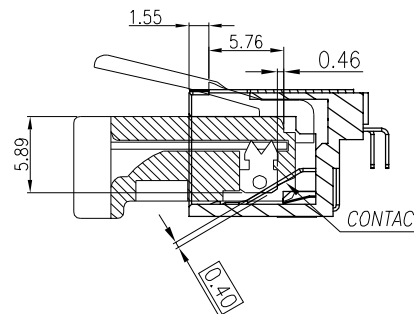
防RJ11示意圖



Contact Check worse case



Contact Check worse case



D	RJ11 STOPPER	2	HIGH TEMP.THERMOPLASTIC	UL 94V-0 & BLACK
C	SHELL	1	COPPER ALLOY	NI PLATING ALL OVER
B	TERMINAL	8	PHOSPHOR BRONZE	NI PLATING ALL OVER G/F ON CONTACT AREA; Matte Sn 120u" ON SOLDER TAIL; ALL OVER Ni: 50u"MIN.
A	HOUSING	1	HIGH TEMP.THERMOPLASTIC	UL 94V-0 & BLACK
NO	DESCRIPTION	QTY	MATERIAL	PLATING & COLOR

UNLESS OTHERWISE SPECIFIED TOLERANCES



Singatron Enterprise Co., Ltd.
信音企業股份有限公司

DECIMALS: ANGLES:
X :±0.5 X :±2°
X.X :±0.3 X.X :±1°
X.XX :±0.2

TITLE	TITLE			
DWN	PAN	PART NO. 2RJ3075-038211F		
CHKD	ALLEN	SCALE 1:1	UNIT: mm	
APVD	BOYE	SIZE: A3	SHEET: 20F2	REV: C

CUSTOMER COPY