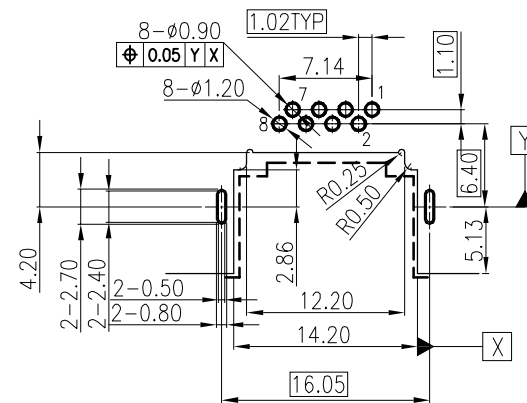
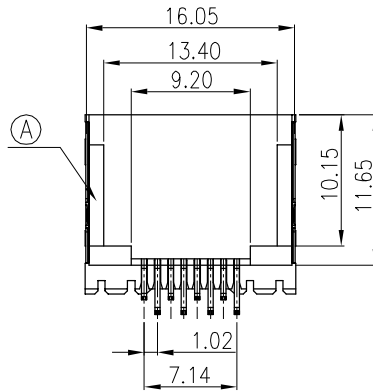
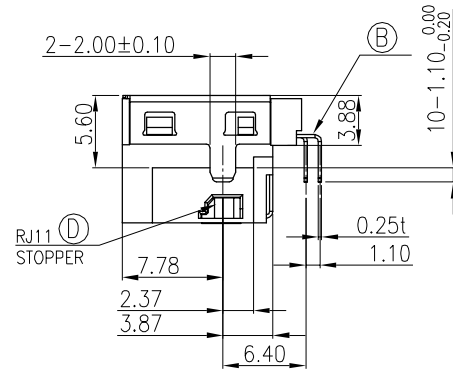
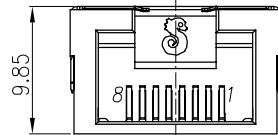
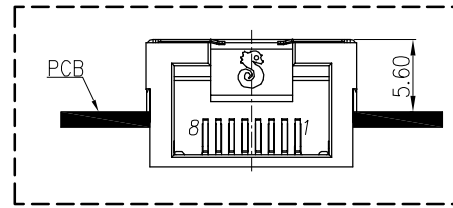
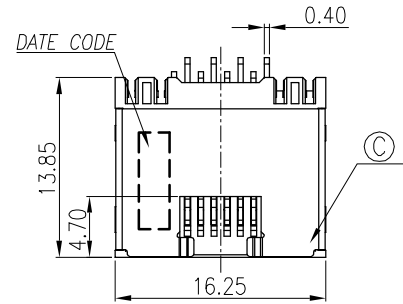


REV.	ECN NO OR DESCRIPTION	REVISED	DATE
A	PDR NO: T190827-6A	PAN	2020.05.06



RECOMMENDED PCB LAYOUT  
TOP VIEW ; TOL.±0.05  
(PCB THICKNESS=1.00mm)

SPECIFICATIONS:

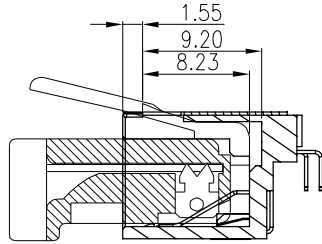
- ELECTRICAL CHARACTERISTICS:
  - CURRENT RATING: 1.5A MAX.
  - VOLTAGE RATING: 150V MAX.
  - CONTACT RESISTANCE : 50mΩ MAX.(INITIAL).  
100mΩ MAX.(AFTER LIFE TEST).
  - INSULATION RESISTANCE : 100MΩ MIN.
  - Dielectric Withstanding Voltage : 500 V AC Max.
- MECHANICAL CHARACTERISTICS:
  - DURABILITY: 5000 CYCLES.
  - INSERTION FORCE: 2.25Kg MAX. WITH LATCH DEPRESSED.
  - WITHDRAWAL FORCE: 4.5Kg MAX. WITH LATCH DEPRESSED.
  - OPERATING TEMPERATURE:-30℃ ~ +70℃
- MARKING: MARK "S" INSIDE OF THE CONNECTOR.
- PACKAGING : TAPE & REEL.
- TO CONFORM TO SINGATRON HAZARDOUS SUBSTANCE FREE SPEC.
- HALOGEN FREE PRODUCT IDENTIFICATION  
MARK ON PRODUCT:
- HALOGEN FREE PRODUCT IDENTIFICATION LOGO  
ON THE PACKAGING:
- FOR REFLOW SOLDERING LEAD-FREE PROCESS.
- PRINTED DATE CODE "YY MM DD " ON TOP OF THE CONNECTOR.

DD: DAY  
MM: MONTH  
YY: YEAR

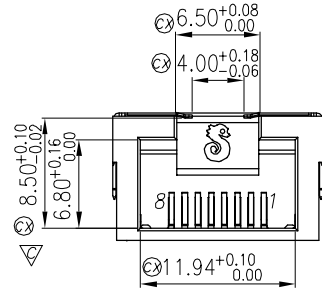
D	RJ11 STOPPER	2	LCP	UL 94V-0 & BLACK
C	SHELL	1	SUS301-1/2H T:0.25mm	NI PLATING ALL OVER
B	TERMINAL	8	C5210-EH	G/F ON CONTACT AREA; Motte Sn 120u" ON SOLDER TAIL; ALL OVER Ni 50u"MIN.
A	HOUSING	1	LCP	UL 94V-0 & BLACK
NO	DESCRIPTION	QTY	MATERIAL	PLATING & COLOR
UNLESS OTHERWISE SPECIFIED TOLERANCES		Singatron Enterprise Co., Ltd. <b>信音企業股份有限公司</b>		
DECIMALS: ANGLES:		TITLE: RJ45 JACK		
X	:±0.5	X	:±2°	DWN PAN PART NO. 2RJ3075-068211F
X.X	:±0.3	X.X	:±1°	CHKD ALLEN SCALE 4:1 UNIT: mm
X.XX	:±0.2	APVD	BOYE	SIZE: A3 SHEET:1 OF 2 REV: A
CUSTOMER COPY				

REV.	ECN NO OR DESCRIPTION	REVISED	DATE
A	PDR NO: T190827-6A	PAN	2020.05.06

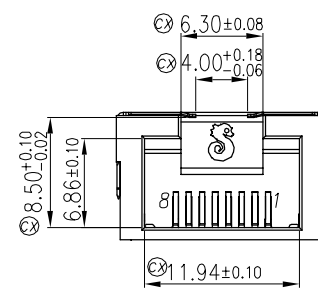
公母對插示意圖



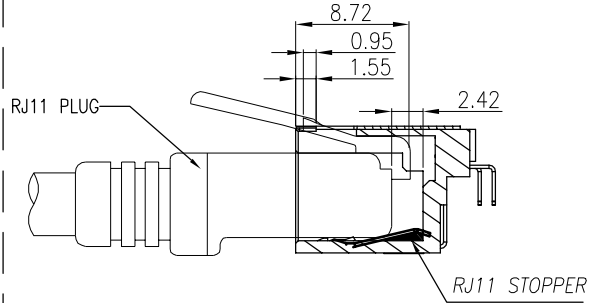
Before IR Reflow Dimensions Spec



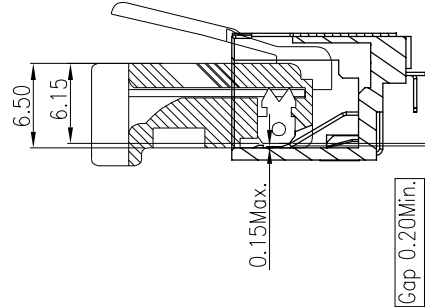
After IR Reflow Dimensions Spec



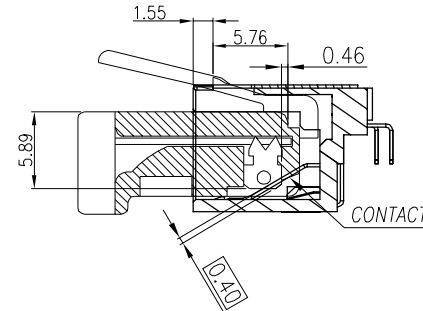
防RJ11示意圖



Contact Check worse case



Contact Check worse case



PIN 1	TX0+
PIN 2	TX0-
PIN 3	RX1+
PIN 4	TX2+
PIN 5	TX2-
PIN 6	RX1-
PIN 7	TX3+
PIN 8	TX3-

NO	DESCRIPTION	QTY	MATERIAL	PLATING & COLOR
UNLESS OTHERWISE SPECIFIED TOLERANCES		Singatron Enterprise Co., Ltd. 信音企業股份有限公司		
DECIMALS:	ANGLES:	TITLE	RJ45 JACK	
X :±0.5	X :±2°	DWN	PAN	PART NO. 2RJ3075-068211F
X.X :±0.3	X.X :±1°	CHKD	ALLEN	SCALE 4:1 UNIT: mm
X.XX :±0.2		APVD	BOYE	SIZE: A3 SHEET 2 OF 2 REV: A
CUSTOMER COPY				