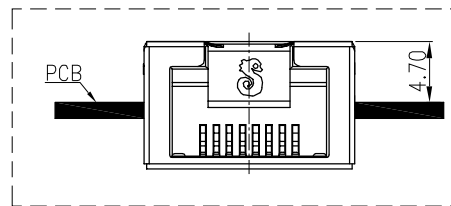
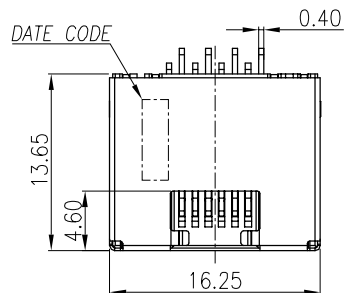


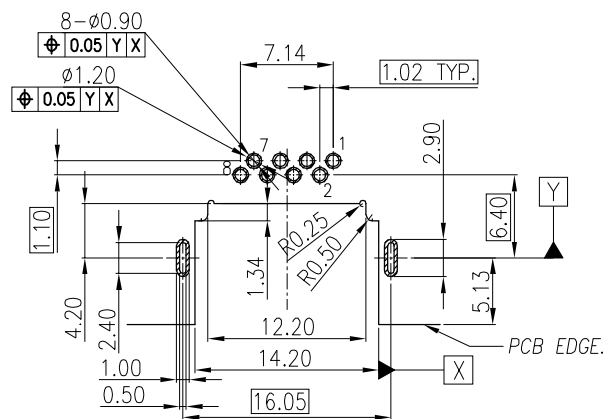
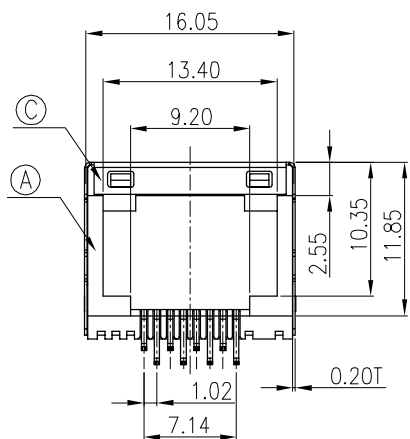
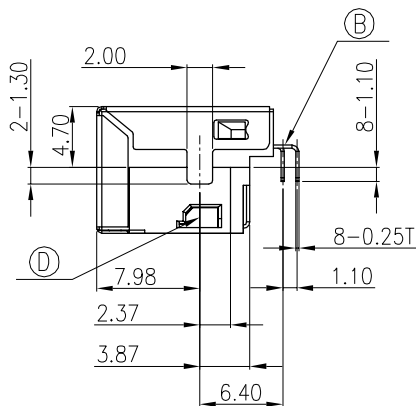
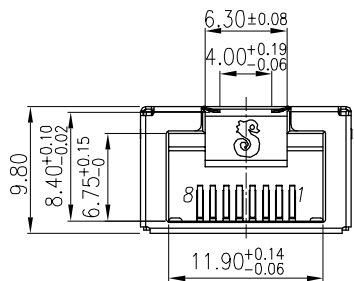
REV.	ECN NO OR DESCRIPTION	REVISED	DATE
A	PDR NO: T201214-3A	XIAO	2021.04.19



SPECIFICATIONS:

- ELECTRICAL CHARACTERISTICS:
 - CURRENT RATING: 1.5A Max.
 - VOLTAGE RATING: 150V Max.
 - CONTACT RESISTANCE : 50mΩ Max.(INITIAL),100mΩ Max.(AFTER LIFE TEST).
 - INSULATION RESISTANCE: 100MΩ Min.
 - Dielectric Withstanding Voltage: 500 VAC Max.
- MECHANICAL CHARACTERISTICS:
 - DURABILITY: 5000 CYCLES.
 - INSERTION FORCE: 2.25Kg Max. WITH LATCH DEPRESSED.
 - WITHDRAWAL FORCE: 4.5Kg Max. WITH LATCH DEPRESSED.
 - OPERATING TEMPERATURE: -30℃ ~ +70℃
- MARKING: MARK "S" "INSIDE OF THE CONNECTOR.
- PACKAGING: TAPE & REEL.
- TO CONFORM TO SINGATRON HAZARDOUS SUBSTANCE FREE SPEC.
- HALOGEN FREE PRODUCT IDENTIFICATION MARK ON PRODUCT:
- HALOGEN FREE PRODUCT IDENTIFICATION LOGO ON THE PACKAGING:
- FOR REFLOW SOLDERING LEAD-FREE PROCESS.
- PRINTED DATE CODE "YY MM DD " ON TOP OF THE CONNECTOR.

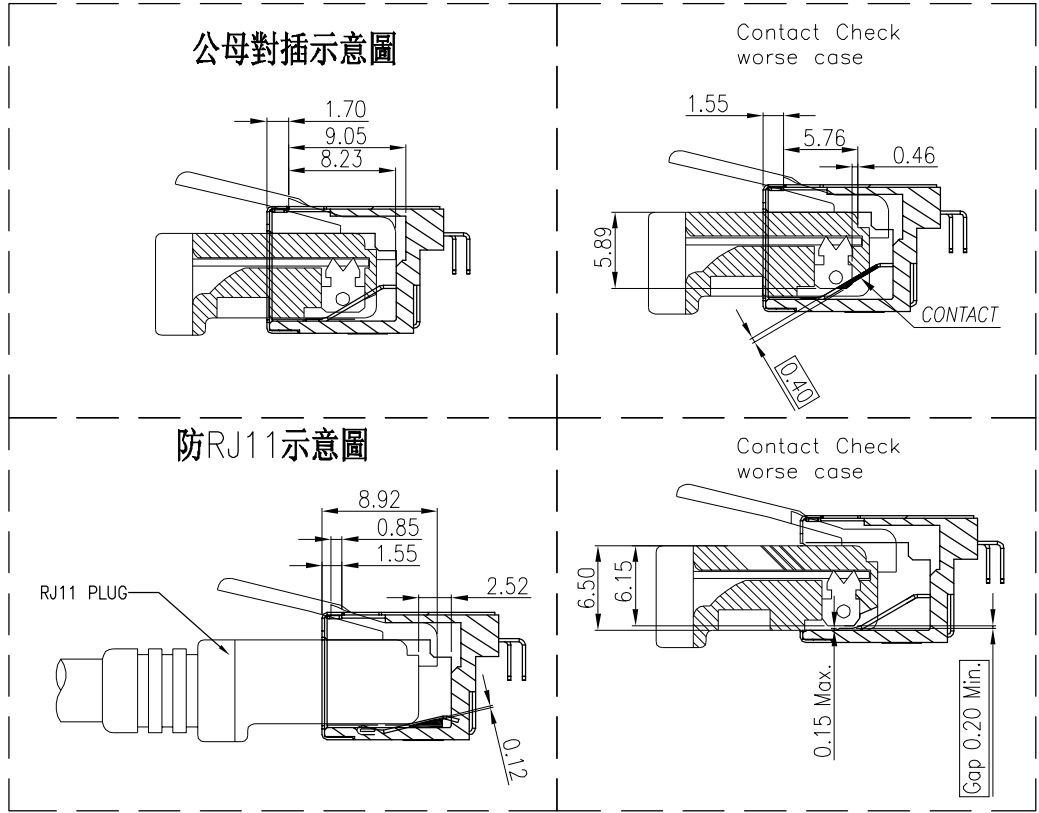
DD: DAY
MM: MONTH
YY: YEAR




RECOMMENDED PCB LAYOUT
TOP VIEW ; TOL.±0.05
(PCB THICKNESS: 1.00mm)

D	STOPPER	2	HIGH TEMP.THERMOPLASTIC UL 94V-0	BLACK
C	SHELL	1	STAINLESS STEEL	NI PLATING
B	TERMINAL	8	PHOSPHOR BRONZE	Gold Flash PLATING ON CONTACT AREA; 120µin Matte. Sn ON SOLDERING AREA; ALL OVER 50µin NICKEL Min.
A	HOUSING	1	HIGH TEMP.THERMOPLASTIC UL 94V-0	BLACK
NO	DESCRIPTION	QTY	MATERIAL	PLATING & COLOR
UNLESS OTHERWISE SPECIFIED TOLERANCES			Singatron Enterprise Co., Ltd. 	
DECIMALS: X :±0.5 X.X :±0.3 X.XX :±0.25		ANGLES: X :±2° X.X :±1°		TITLE: RJ45 JACK DWN: xiao PART NO. 2RJ3075-078211F CHKD: allen SCALE 4:1 UNIT: mm APVD: boye SIZE: A3 SHEET:1 OF 2 REV: A
CUSTOMER COPY				

REV.	ECN NO OR DESCRIPTION	REVISED	DATE
A	PDR NO: T201214-3A	XIAO	2021.04.21



NO	DESCRIPTION	QTY	MATERIAL	PLATING & COLOR
UNLESS OTHERWISE SPECIFIED TOLERANCES		 Singatron Enterprise Co., Ltd. 信音企業股份有限公司		
DECIMALS: ANGLES:		TITLE: RJ45 JACK		
X	:±0.5 X :±2°	DWN	xiao	PART NO. 2RJ3075-078211F
X.X	:±0.3 X.X :±1°	CHKD	allen	SCALE 4:1 UNIT: mm
X.XX	:±0.25	APVD	boye	SIZE: A3 SHEET2 OF 2 REV: A
CUSTOMER COPY				