

RECOMMENDED PCB LAYOUT  
TOP VIEW; TOL: ±0.05  
(PCB THICKNESS=1.00mm)

SPECIFICATIONS:

1. ELECTRICAL CHARACTERISTICS:
  - 1-1. CURRENT RATING: 1.5A MAX.
  - 1-2. VOLTAGE RATING: 150V MAX.
  - 1-3. CONTACT RESISTANCE : 50mΩ MAX.(INITIAL), 100mΩ MAX.(AFTER LIFE TEST).
  - 1-4. INSULATION RESISTANCE : 100MΩ MIN.
  - 1-5. Dielectric Withstanding Voltage : 500 V AC Max.
2. MECHANICAL CHARACTERISTICS:
  - 2-1. DURABILITY: 5000 CYCLES.
  - 2-2. INSERTION FORCE: 2.25kg MAX. WITH LATCH DEPRESSED.
  - 2-3. WITHDRAWAL FORCE: 4.5kg MAX. WITH LATCH DEPRESSED.
  - 2-4. OPERATING TEMPERATURE: -30c ~ +70c.
3. MARKING: MARK "S" INSIDE OF THE CONNECTOR.
4. PACKAGING : TAPE & REEL.
5. TO CONFORM TO SINGATRON HAZARDOUS SUBSTANCE FREE SPEC.
6. HALOGEN FREE PRODUCT IDENTIFICATION
7. HALOGEN FREE PRODUCT IDENTIFICATION LOGO ON THE PACKAGING: (S)
8. FOR REFLOW SOLDERING LEAD-FREE PROCESS.
9. PRINTED DATE CODE "YY MM DD" ON TOP OF THE CONNECTOR.



F	STOPPER	2	HIGH TEMP.THERMOPLASTIC	UL 94V-0 & BLACK
E	LED	1		AMBER
D	LED	1		WHITE
C	SHELL	1	COPPER ALLOY	NI PLATING ALL OVER
B	TERMINAL	8	PHOSPHOR BRONZE	WITH FINISHING ALL OVER N/PLATING ALL OVER N/PLATING ALL OVER
A	HOUSING	1	HIGH TEMP.THERMOPLASTIC	UL 94V-0 & BLACK
NO	DESCRIPTION	QTY	MATERIAL	PLATING & COLOR

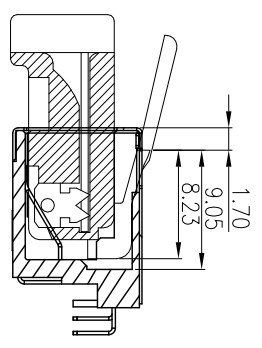
UNLESS OTHERWISE SPECIFIED TOLERANCES  
 Singatron Enterprise Co., Ltd.  
 信音企業股份有限公司

DECIMALS:		ANGLES:	
X	:±0.5	X	:±2°
X.X	:±0.3	X.X	:±1'
X.XX	:±0.2		
TITLE	R045 JACK		
DWN	ALLEN	PART NO.	2RU3075-108211F
CHKD		SCALE	4:1
APVD	JAMES	UNIT:	mm
		SIZE:	A3
		SHEET:	1 OF 2
		REV:	A

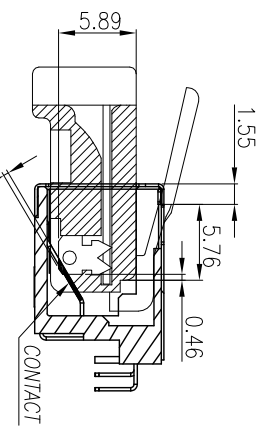
CUSTOMER COPY

REV.	ECN NO OR DESCRIPTION	REVISED	DATE
A	PDR NO: T130313-7A	ALLEN	2013.08.19

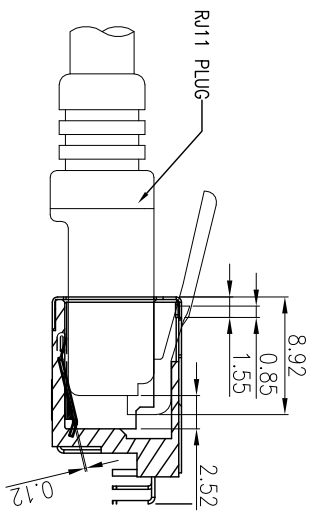
公母對插示意圖



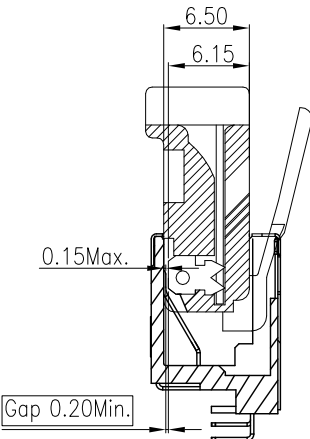
Contact Check  
worse case



防RJ11示意圖



Contact Check  
worse case



NODE	COLOR	Wavelength
A2(+)	A1(-)	AMBER
B2(+)	B1(-)	WHITE

F	STOPPER	2	HIGH TEMP.THERMOPLASTIC	UL 94V-0 & BLACK
E	LED	1		AMBER
D	LED	1		WHITE
C	SHELL	1	COPPER ALLOY	NI PLATING ALL OVER
B	TERMINAL	8	PHOSPHOR BRONZE	NI PLATING ALL OVER G/F ON CONTACT AREA; Watte Sn 120u" ON SOLDER TAIL; ALL OVER IN 50u" MIN.
A	HOUSING	1	HIGH TEMP.THERMOPLASTIC	UL 94V-0 & BLACK
NO	DESCRIPTION	QTY	MATERIAL	PLATING & COLOR

UNLESS OTHERWISE SPECIFIED TOLERANCES

DECIMALS: ANGLES:

X :±0.5 X :±2°

X.X :±0.3 X.X :±1°

X.XX :±0.2

Singatron Enterprise Co., Ltd.  
信晉企業股份有限公司

TITLE: RJ45 JACK

DWN ALLEN PART NO. 2RJ3075-108211F

CHKD SCALE 4:1 UNIT: mm

APVD JAMES SIZE: A3 SHEET2 OF 2 REV: A

CUSTOMER COPY

