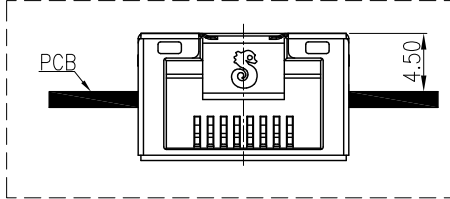
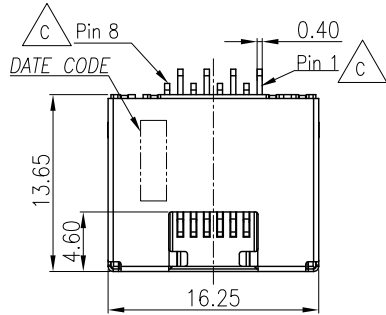


1 2 3 4 5 6 7 8

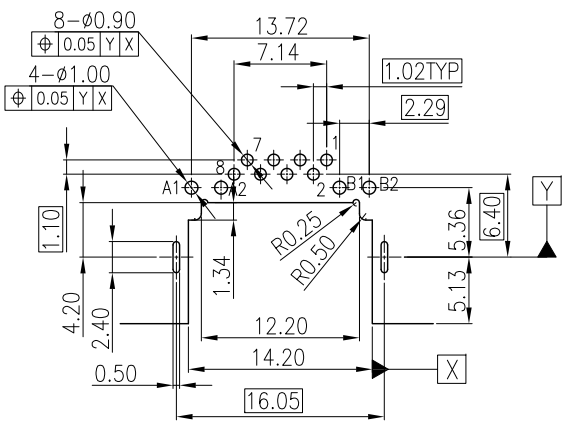
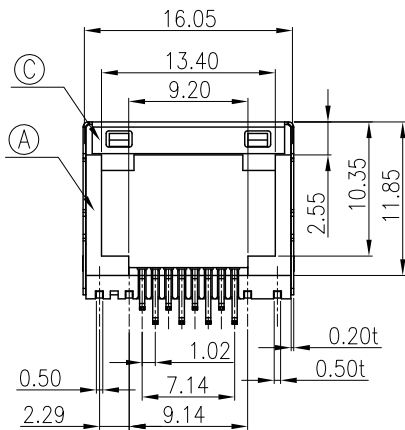
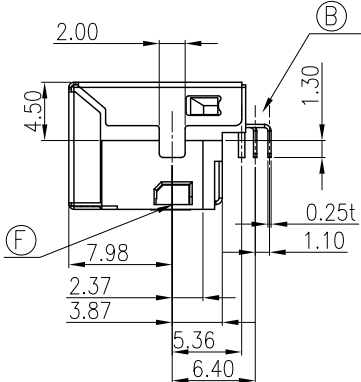
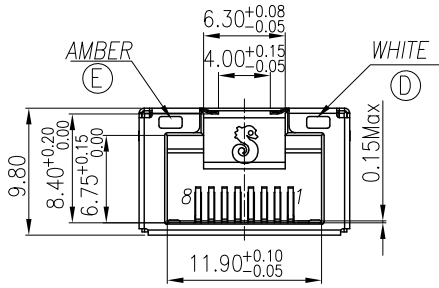
REV.	ECN NO OR DESCRIPTION	REVISED	DATE
A	PDR NO: T130912-2A	ALLEN	2014.04.22
B	ECN NO: S141146	ALLEN	2015.01.12
C	ECN NO: S202207-C12	LIRUI	2022.07.28



SPECIFICATIONS:

- ELECTRICAL CHARACTERISTICS:
 - CURRENT RATING: 1.5A MAX.
 - VOLTAGE RATING: 150V MAX.
 - CONTACT RESISTANCE : 50mΩ MAX.(INITIAL).
100mΩ MAX.(AFTER LIFE TEST).
 - INSULATION RESISTANCE : 100MΩ MIN.
 - Dielectric Withstanding Voltage : 500 V AC Max.
- MECHANICAL CHARACTERISTICS:
 - DURABILITY: 5000 CYCLES.
 - INSERTION FORCE: 2.25Kg MAX. WITH LATCH DEPRESSED.
 - WITHDRAWAL FORCE: 4.5Kg MAX. WITH LATCH DEPRESSED.
 - OPERATING TEMPERATURE: -30℃ ~ +70℃.
- MARKING: MARK "S" INSIDE OF THE CONNECTOR.
- PACKAGING : TAPE & REEL.
- TO CONFORM TO SINGATRON HAZARDOUS SUBSTANCE FREE SPEC.
- HALOGEN FREE PRODUCT IDENTIFICATION
MARK ON PRODUCT: S
- HALOGEN FREE PRODUCT IDENTIFICATION LOGO
ON THE PACKAGING: S
- FOR REFLOW SOLDERING LEAD-FREE PROCESS.
- PRINTED DATE CODE "YY MM DD " ON TOP OF THE CONNECTOR.

DD: DAY
MM: MONTH
YY: YEAR

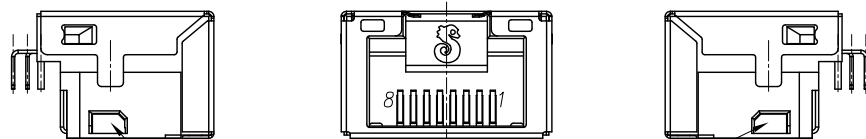
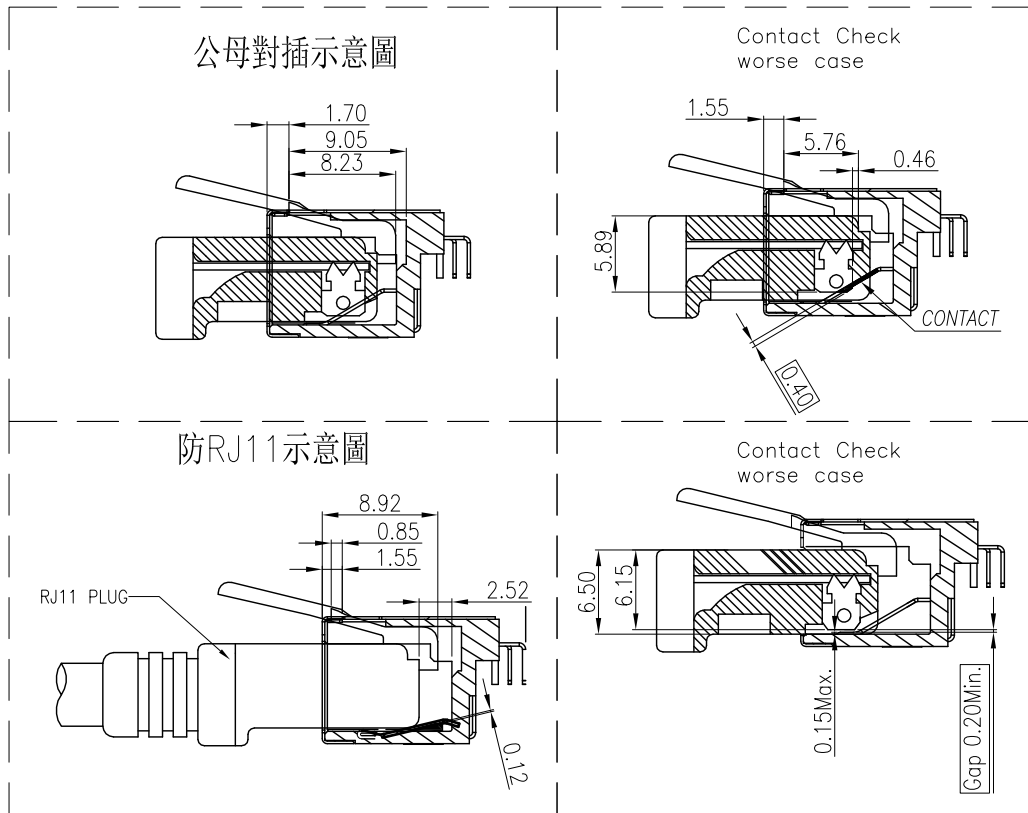


RECOMMENDED PCB LAYOUT
TOP VIEW ; TOL.±0.05
(PCB THICKNESS=1.00mm)

NO	DESCRIPTION	QTY	MATERIAL	PLATING & COLOR
UNLESS OTHERWISE SPECIFIED TOLERANCES		Singatron Enterprise Co., Ltd. 信音企業股份有限公司		
DECIMALS:	ANGLES:	TITLE	RJ45 JACK	
X : ±0.5	X : ±2°	DWN	LIRUI	PART NO. 2RJ3075-118211F
X.X : ±0.3	X.X : ±1°	CHKD	ALLEN	SCALE 4:1 UNIT: mm
X.XX : ±0.2		APVD	BOYE	SIZE: A3 SHEET:1 OF 2 REV: C
CUSTOMER COPY				

1 2 3 4 5 6 7 8

REV.	ECN NO OR DESCRIPTION	REVISED	DATE
A	PDR NO: T130912-2A	ALLEN	2014.04.22
B	ECN NO: S141146	ALLEN	2015.01.12
C	ECN NO: S202207-C12	LIRUI	2022.07.28



	10/100Base-T	1000Base-T4
Pin 1	TX+	TX_D1+
Pin 2	TX-	TX_D1-
Pin 3	RX+	RX_D2+
Pin 4	n/c	BL_D3+
Pin 5	n/c	BL_D3-
Pin 6	RX-	RX_D2-
Pin 7	n/c	BL_D4+
Pin 8	n/c	BL_D4-

NODE	COLOR	Wavelength
A2(+) A1(-)	AMBER	600~612
B2(+) B1(-)	WHITE	

G	STOPPER	1	HIGH TEMP.THERMOPLASTIC	UL 94V-0 & BLACK
F	STOPPER	2	HIGH TEMP.THERMOPLASTIC	UL 94V-0 & Yellow
E	LED	1		AMBER
D	LED	1		WHITE
C	SHELL	1	COPPER ALLOY	NI PLATING ALL OVER
B	TERMINAL	8	PHOSPHOR BRONZE	NI PLATING ALL OVER G/F ON CONTACT AREA; Matte Sn 120u" ON SOLDER TAIL; ALL OVER Ni 50u"MIN.
A	HOUSING	1	HIGH TEMP.THERMOPLASTIC	UL 94V-0 & BLACK
NO	DESCRIPTION	QTY	MATERIAL	PLATING & COLOR

UNLESS OTHERWISE SPECIFIED TOLERANCES		Singatron Enterprise Co., Ltd. 信音企業股份有限公司	
DECIMALS:	ANGLES:	TITLE RJ45 JACK	
X :±0.5	X :±2°	DWN LIRUI	PART NO. 2RJ3075-118211F
X.X :±0.3	X.X :±1°	CHKD ALLEN	SCALE 4:1 UNIT: mm
X.XX :±0.2		APVD BOYE	SIZE: A3 SHEET2 OF 2 REV: C
CUSTOMER COPY			