

RECOMMENDED PCB LAYOUT
TOP VIEW : TOL.±0.05
(PCB THICKNESS=1.00mm)

SPECIFICATIONS:

- ELECTRICAL CHARACTERISTICS:
 - CURRENT RATING: 1.5A MAX.
 - VOLTAGE RATING: 150V MAX.
 - CONTACT RESISTANCE : 50mΩ MAX.(INITIAL), 100mΩ MAX.(AFTER LIFE TEST).
 - INSULATION RESISTANCE : 100MΩ MIN.
 - Dielectric Withstanding Voltage : 500 V AC Max.
- MECHANICAL CHARACTERISTICS:
 - DURABILITY: 5000 CYCLES.
 - INSERTION FORCE: 2.25kg MAX. WITH LATCH DEPRESSED.
 - WITHDRAWAL FORCE: 4.5kg MAX. WITH LATCH DEPRESSED.
 - OPERATING TEMPERATURE:-30℃ ~ +70℃.
 - MARKING: MARK "S" INSIDE OF THE CONNECTOR.
 - PACKAGING : TAPE & REEL.
 - TO CONFORM TO SINGATRON HAZARDOUS SUBSTANCE FREE SPEC.
 - HALOGEN FREE PRODUCT IDENTIFICATION
 - MARK ON PRODUCT: ○
 - HALOGEN FREE PRODUCT IDENTIFICATION LOGO ON THE PACKAGING: ○
 - FOR REFLOW SOLDERING LEAD-FREE PROCESS.
 - PRINTED DATE CODE" YY MM DD " ON TOP OF THE CONNECTOR.



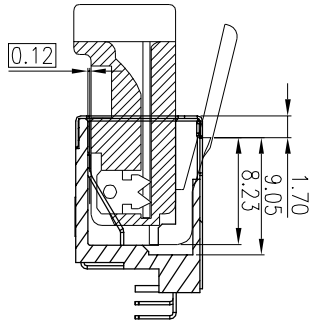
REV.	ECN NO OR DESCRIPTION	REVISED	DATE
A	PDR NO: 1151028-2A	ALLEN	2016.03.31
B	ECN NO: S160802-E	ALLEN	2016.11.14
C	ECN NO: S160504-E	ALLEN	2017.02.20

NO	DESCRIPTION	QTY	MATERIAL	PLATING & COLOR
UNLESS OTHERWISE SPECIFIED TOLERANCES				
DECIMALS: ANGLES:				
X	:±0.5	X	:±2°	
X:X	:±0.3	X:X	:±1°	
X:XX	:±0.25			
TITLE	RJ45 JACK			
DWN	ALLEN	PART NO.	2R13075-128211F	
CHKD	JAMES	SCALE 4:1	UNIT:	mm
APVD	Boye	SIZE: A3	SHEET#	OF 2
REV: C				
CUSTOMER COPY				

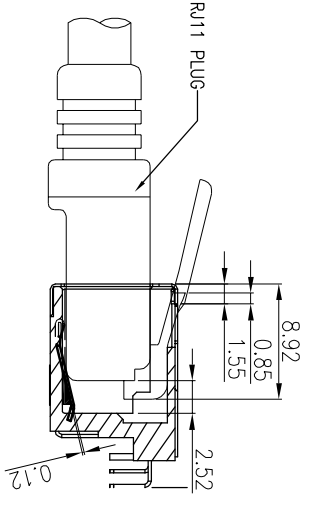
Singatron Enterprise Co., Ltd.
信營企業股份有限公司

REV.	ECN NO OR DESCRIPTION	REVISED	DATE
A	PDR NO: T151028-2A	ALLEN	2016.03.31
B	ECN NO: S160802-E	ALLEN	2016.11.14
C	ECN NO: S160504-E	ALLEN	2017.02.20

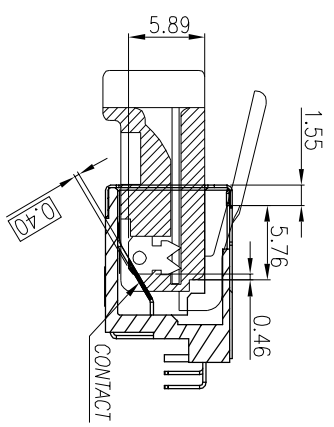
公母對插示意圖



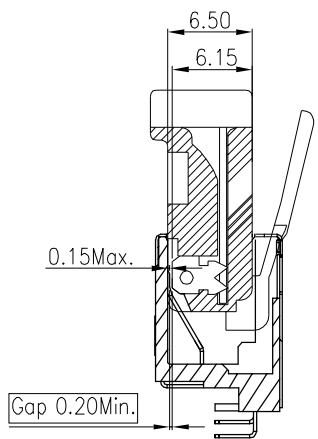
防RJ11示意圖



Contact Check
worse case



Contact Check
worse case



PIN 1	TX0+
PIN 2	TX0-
PIN 3	RX1+
PIN 4	TX2+
PIN 5	TX2-
PIN 6	RX1-
PIN 7	TX3+
PIN 8	TX3-
PIN 9	A1_AmberLED-
PIN 10	A2_AmberLED+
PIN 11	B1_WHITELED+
PIN 12	B2_WHITELED-

NODE	COLOR	Wavelength
A2(+)	AMBER	600~612
B2(+)	WHITE	B2-R-B1

G	MYLAR	1	T=0.06mm	YELLOW
F	STOPPER	2	HIGH TEMP THERMOPLASTIC	UL 94V-0 & BLACK
E	LED	1	AMBER	Matte tin 80u"Min
D	LED	1	WHITE	Matte tin 80u"Min
C	SHELL	1	STAINLESS STEEL	NI PLATING ALL OVER
B	TERMINAL	8	PHOSPHOR BRONZE	NI PLATING ALL OVER C/F ON CONTACT AREA; Matte Sn 120U" ON SOLDER TAIL; ALL OVER NI 50U"MIN.
A	HOUSING	1	HIGH TEMP THERMOPLASTIC	UL 94V-0 & BLACK
NO	DESCRIPTION	QTY	MATERIAL	PLATING & COLOR

UNLESS OTHERWISE SPECIFIED TOLERANCES

Singatron Enterprise Co., Ltd.
信晉企業股份有限公司

DECIMALS:	ANGLES:
X :±0.5	X :±2°
X.X :±0.3	X.X :±1°
X.XX :±0.25	

TITLE	RJ45 JACK
DWN	ALLEN
CHKD	JAMES
APVD	Boye
PART NO. 2RJ3075-128211F	
SCALE 4:1 UNIT: mm	
SIZE: A3 SHEET 2 OF 2 REV: C	
CUSTOMER COPY	

