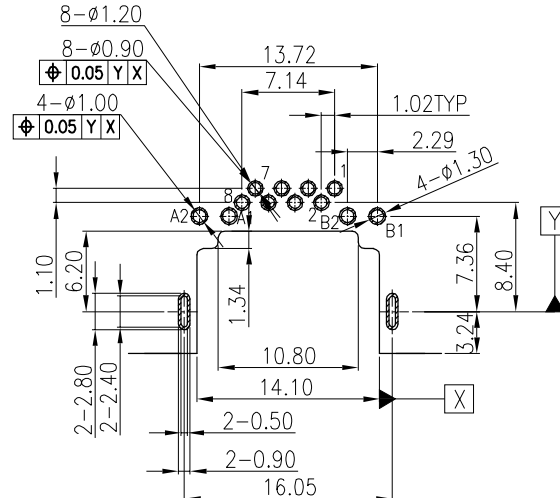
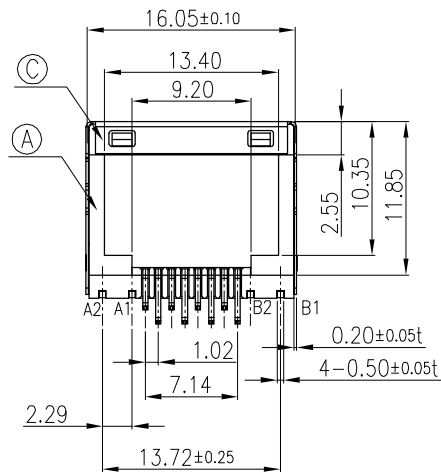
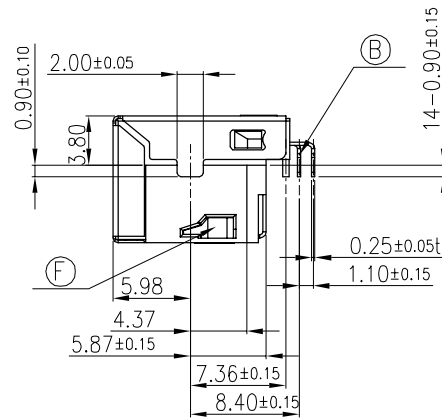
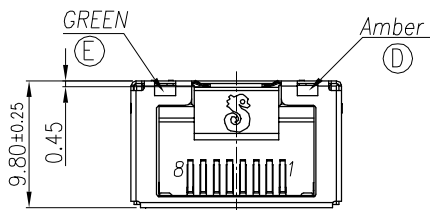
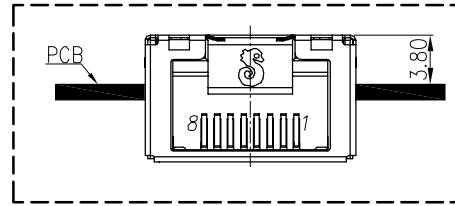
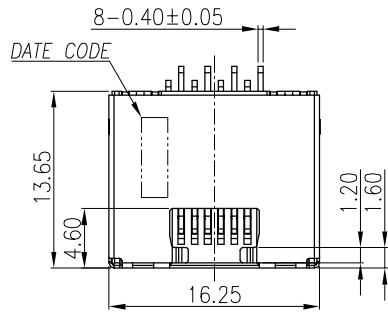


REV.	ECN NO OR DESCRIPTION	REVISED	DATE
A	PDR NO: T190122-1A	BING	2020.1.8



RECOMMENDED PCB LAYOUT
TOP VIEW ; TOL.±0.05
(PCB THICKNESS=1.00mm)

SPECIFICATIONS:

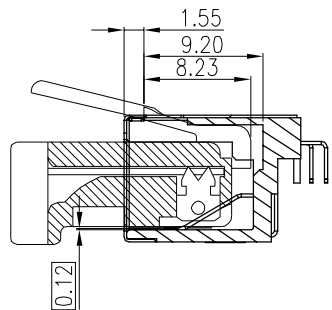
- ELECTRICAL CHARACTERISTICS:
 - CURRENT RATING: 1.5A MAX.
 - VOLTAGE RATING: 150V MAX.
 - CONTACT RESISTANCE : 50mΩ MAX.(INITIAL).
100mΩ MAX.(AFTER LIFE TEST).
 - INSULATION RESISTANCE : 100MΩ MIN.
 - Dielectric Withstanding Voltage : 500 V AC Max.
- MECHANICAL CHARACTERISTICS:
 - DURABILITY: 5000 CYCLES.
 - INSERTION FORCE: 2.25Kg MAX. WITH LATCH DEPRESSED.
 - WITHDRAWAL FORCE: 4.5Kg MAX. WITH LATCH DEPRESSED.
 - OPERATING TEMPERATURE: -30℃ ~ +70℃
- MARKING: MARK "S" INSIDE OF THE CONNECTOR.
- PACKAGING : TAPE & REEL.
- TO CONFORM TO SINGATRON HAZARDOUS SUBSTANCE FREE SPEC.
- HALOGEN FREE PRODUCT IDENTIFICATION
MARK ON PRODUCT:
- HALOGEN FREE PRODUCT IDENTIFICATION LOGO
ON THE PACKAGING:
- FOR REFLOW SOLDERING LEAD-FREE PROCESS.
- PRINTED DATE CODE" YY MM DD " ON TOP OF THE CONNECTOR.

DD: DAY
MM: MONTH
YY: YEAR

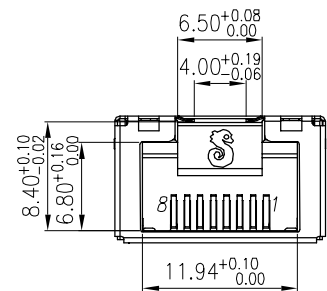
NO	DESCRIPTION	QTY	MATERIAL	PLATING & COLOR
UNLESS OTHERWISE SPECIFIED TOLERANCES		Singatron Enterprise Co., Ltd. 信音企業股份有限公司		
DECIMALS:	ANGLES:	TITLE	RJ45 JACK	
X : ±0.5	X : ±2°	DWN	PART NO. 2RJ3075-1C8211F	
X.X : ±0.3	X.X : ±1°	CHKD	SCALE 4:1	UNIT: mm
X.XX : ±0.25		APVD	SIZE: A3	SHEET: 1 OF 2
REV: A				
CUSTOMER COPY				

REV.	ECN NO OR DESCRIPTION	REVISED	DATE
A	PDR NO: T190122-1A	BING	2020.1.8

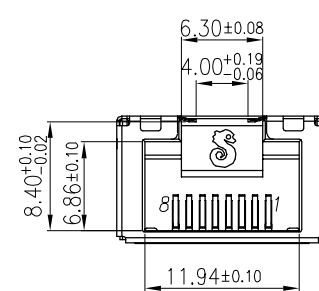
公母對插示意圖



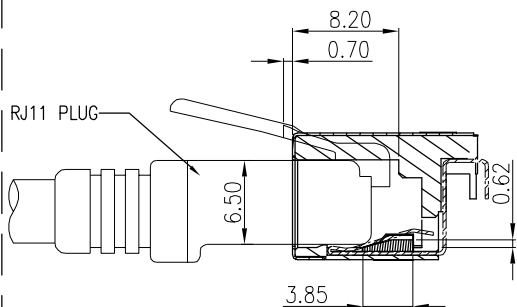
Before IR Reflow Dimensions Spec



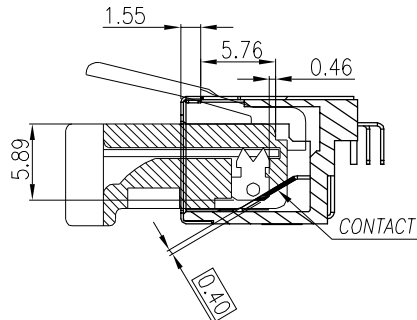
After IR Reflow Dimensions Spec



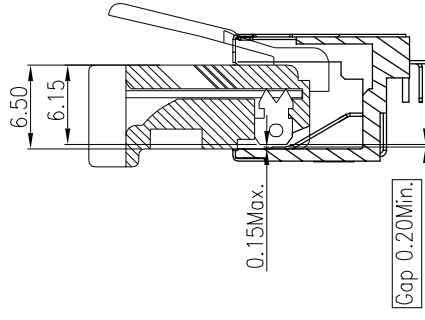
防RJ11示意圖



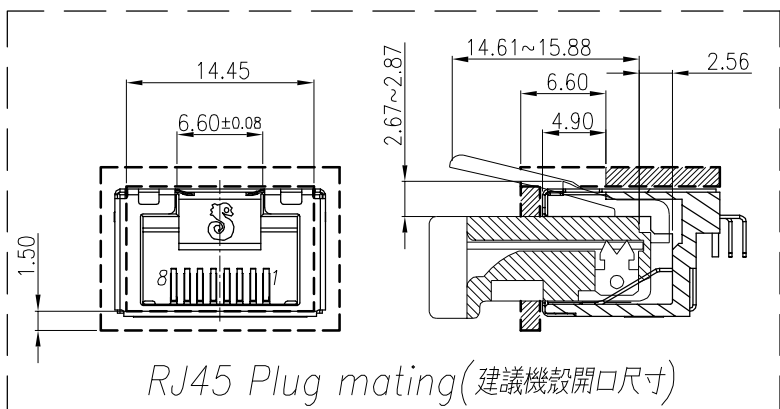
Contact Check worse case



Contact Check worse case



NODE	COLOR	Wavelength
A1(+) A2(-)	GREEN	A1↔A2 565~574
B1(+) B2(-)	Amber	B1↔B2 585~594



RJ45 Plug mating (建議機殼開口尺寸)

PIN 1	TX0+
PIN 2	TX0-
PIN 3	RX1+
PIN 4	TX2+
PIN 5	TX2-
PIN 6	RX1-
PIN 7	TX3+
PIN 8	TX3-
PIN 9	A1_GREEN+
PIN 10	A2_GREEN-
PIN 11	B1_AMBER+
PIN 12	B2_AMBER-

F	STOPPER	2	HIGH TEMP.THERMOPLASTIC	UL 94V-0 & BLACK
E	LED	1	GREEN	Matte tin 80u"Min
D	LED	1	Amber	Matte tin 80u"Min
C	SHELL	1	SUS301 1/2H	NI PLATING ALL OVER
B	TERMINAL	8	C5210-EH T=0.25	G/F ON CONTACT AREA; Matte Sn 120u" ON SOLDER TAIL; ALL OVER Ni 50u"MIN.
A	HOUSING	1	HIGH TEMP.THERMOPLASTIC	UL 94V-0 & BLACK
NO	DESCRIPTION	QTY	MATERIAL	PLATING & COLOR
UNLESS OTHERWISE SPECIFIED TOLERANCES		Singatron Enterprise Co., Ltd. 		
DECIMALS: X ±0.5 X.X ±0.3 X.XX ±0.25		TITLE: RJ45 JACK		
ANGLES: X ±2° X.X ±1°		DWN: PART NO. 2RJ3075-1C8211F		
		CHKD: SCALE 4:1 UNIT: mm		
		APVD: SIZE: A3 SHEET2 OF 2 REV: A		
CUSTOMER COPY				