
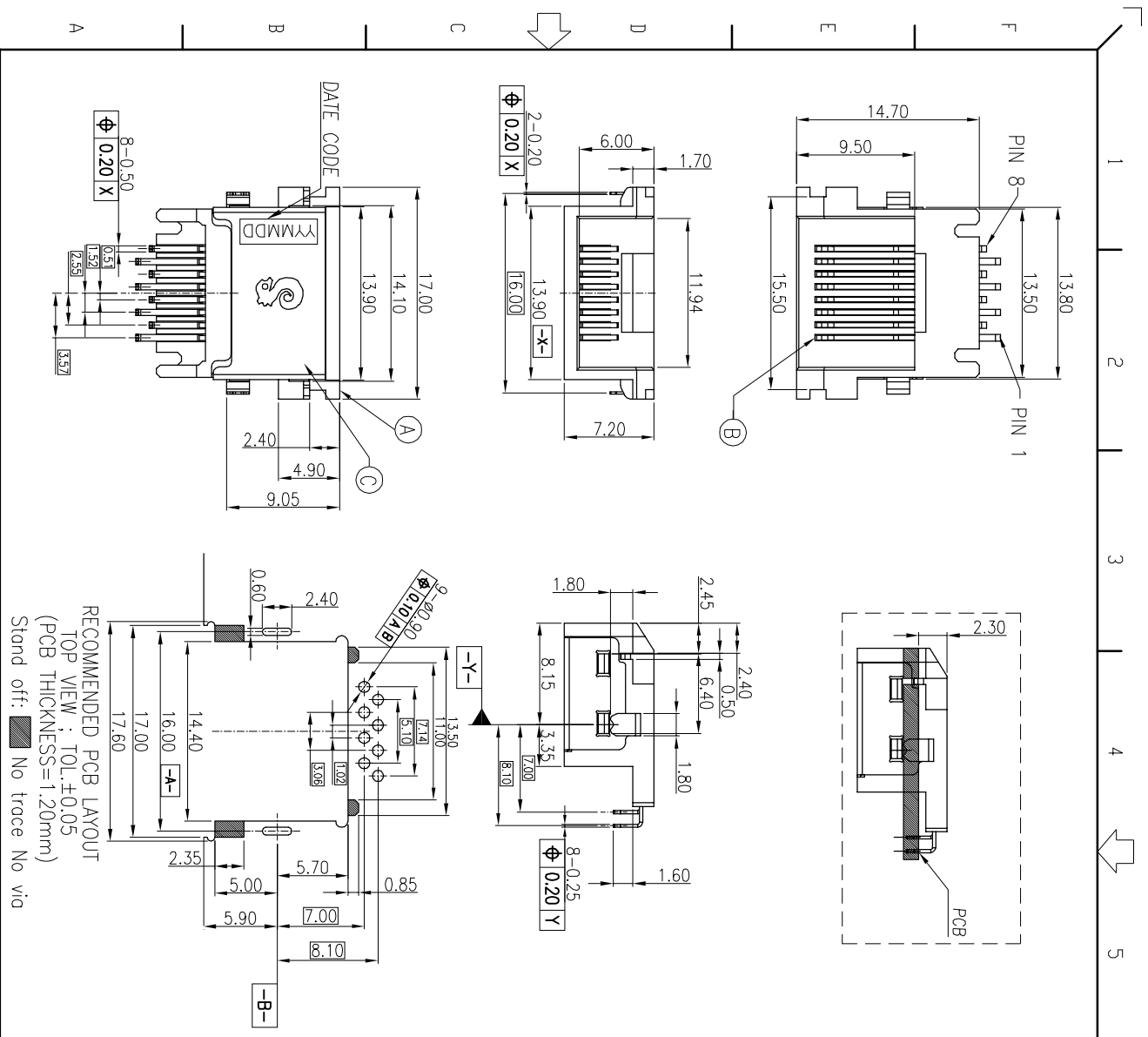


REV.	ECN NO	OR DESCRIPTION	REVISED	DATE
A	PDR NO:130313-9A	ALLEN	2013.10.31	
B	ECN NO:S150163-R	ALLEN	2015.01.29	
C	ECN NO:161037-C	ALLEN	2016.11.03	
D	ECN NO:S170204	peng	2017.03.12	

**SPECIFICATIONS:**

- ELECTRICAL CHARACTERISTICS:**
  - 1-1. CURRENT RATING: 0.5A MAX.
  - 1-2. VOLTAGE RATING: 150V MAX.
  - 1-3. CONTACT RESISTANCE: 50mΩ MAX.(INITIAL), 100mΩ MAX. (AFTER LIFE TEST).
  - 1-4. INSULATION RESISTANCE: 100MΩ MIN.
- MECHANICAL CHARACTERISTICS:**
  - 2-1. DURABILITY: 5000 CYCLES.
  - 2-2. INSERTION FORCE: 2.25kg MAX. WITH LATCH DEPRESSED.
  - 2-3. WITHDRAWAL FORCE: 4.5kg MAX. WITH LATCH DEPRESSED.
  - 2-4. OPERATING TEMPERATURE: -30°C ~ +70°C.
- MARKING: MARK "S" INSIDE OF THE CONNECTOR.
- PACKAGING: TAPE & REEL.
- TO CONFORM TO SINGATRON HAZARDOUS SUBSTANCE FREE SPEC.
- HALOGEN FREE PRODUCT IDENTIFICATION
- HALOGEN FREE PRODUCT IDENTIFICATION LOGO ON THE PACKAGING: 
- FOR REFLOW SOLDERING LEAD-FREE PROCESS.
- PRINTED DATE CODE "YY MM DD" ON TOP OF THE CONNECTOR.



RECOMMENDED PCB LAYOUT  
TOP VIEW: TOL.±0.05  
(PCB THICKNESS=1.20mm)  
Stand off:  No trace No via

NO.	DESCRIPTION	QTY	MATERIAL	PLATING & COLOR
D	COVER	1	HIGH TEMP.THERMOPLASTIC	UL 94V-0 & BLACK
C	SHELL	1	COPPER ALLOY	NI PLATING ALL OVER
B	8PCS CONTACT	8	PHOSPHOR BRONZE 0.25t ALL OVER NI 50μMIN.	Au 2μMIN ON CONTACT AREA. Matte Sn 120μ ON SOLDER TAIL.
A	BODY	1	HIGH TEMP.THERMOPLASTIC	UL 94V-0 & BLACK

**UNLESS OTHERWISE SPECIFIED TOLERANCES**

DECIMALS: ANGLES:

X :±0.5 X :±2°  
XX :±0.3 XX :±1°  
XXX :±0.2

**TITLE** R045 JACK

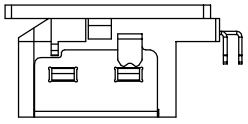
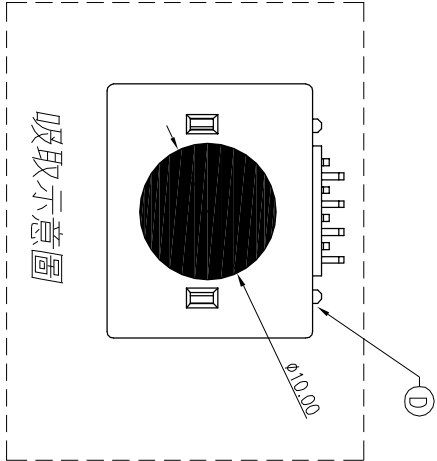
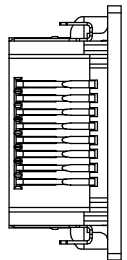
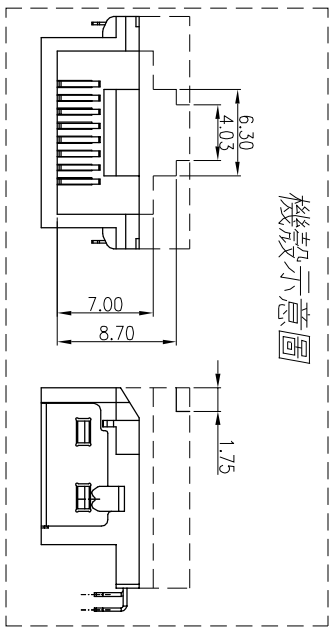
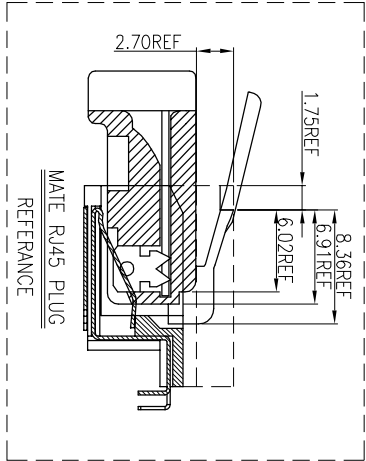
**DWN** peng **PART NO.** 2R15076-008211F

**CHKD** james **SCALE** 4:1 **UNIT:** mm

**APVD** boye **SIZE:** A3 **SHEET:** 1 / 2 **REV:** D

**CUSTOMER COPY**

REV.	ECN NO. OR DESCRIPTION	REVISED	DATE
A	PDR NO:1130313-9A	ALLEN	2013.10.31
B	ECN NO:5150163-R	ALLEN	2015.01.29
C	ECN NO:161037-C	ALLEN	2016.11.03
D	ECN NO:5170204	peng	2017.03.12



NO.	DESCRIPTION	QTY	MATERIAL	PLATING & COLOR
UNLESS OTHERWISE SPECIFIED TOLERANCES				
DECIMALS: X: ±0.5 X: ±2° X.X: ±0.3 X.X: ±1° X.XX: ±0.2				
TITLE: RJ45 JACK				
DWN	peng		PART NO. 2RJ3076-008211F	
CHKD	james		SCALE 4:1 UNIT: mm	
APVD	boye		SIZE: A3 SHEET: 2/2	REV: D

SINGATRON ENTERPRISE CO., LTD.	
信晉企業股份有限公司	
CUSTOMER COPY	