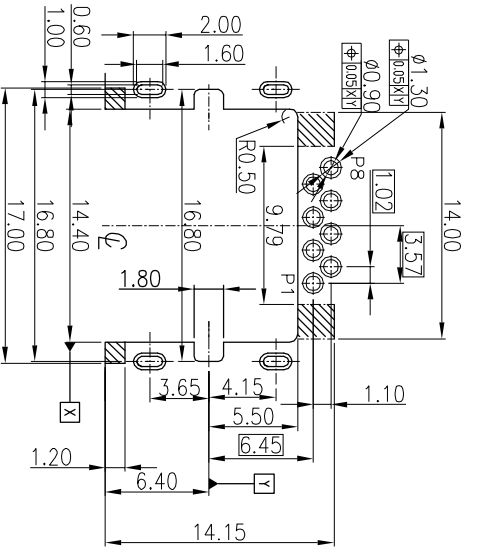
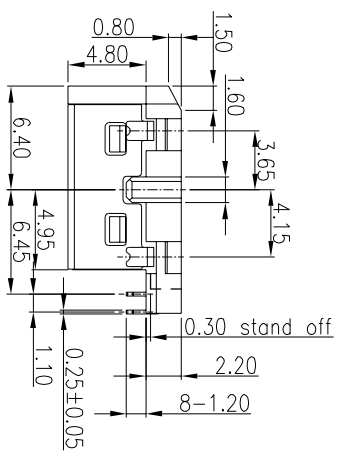
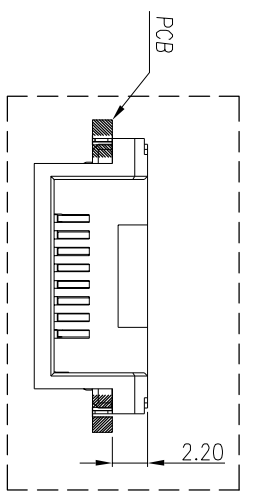
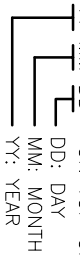


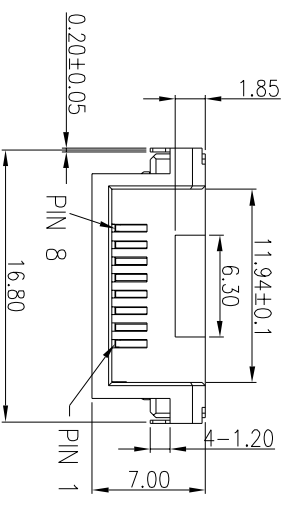
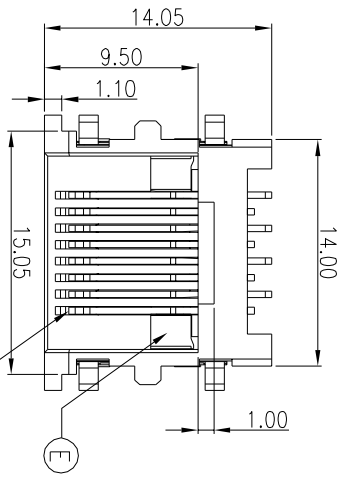
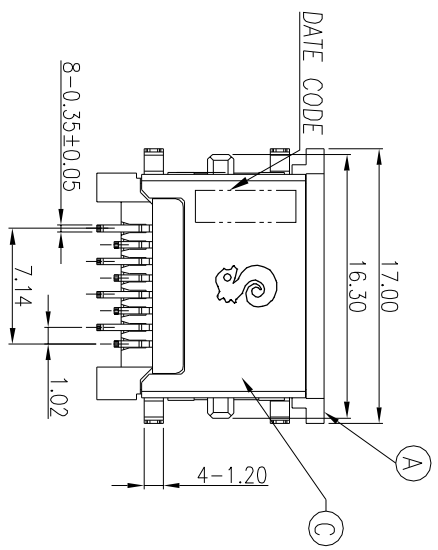
REV.	ECN NO OR DESCRIPTION	REVISED	DATE
A	DCN NO:1751203-8A	ALLEN	2016.07.08

**SPECIFICATIONS:**

- ELECTRICAL CHARACTERISTICS:
  - CURRENT RATING: 0.5A MAX.
  - VOLTAGE RATING: 150V MAX.
  - CONTACT RESISTANCE : 50mΩ MAX.(INITIAL). 100mΩ MAX.(AFTER LIFE TEST).
  - INSULATION RESISTANCE : 100MΩ MIN.
- MECHANICAL CHARACTERISTICS:
  - DURABILITY: 5000 CYCLES.
  - INSERTION FORCE: 2.25Kg MAX. WITH LATCH DEPRESSED.
  - WITHDRAWAL FORCE: 4.5kg MAX. WITH LATCH DEPRESSED.
  - OPERATING TEMPERATURE: -30c ~ +70c.
- MARKING: MARK "Ⓢ" INSIDE OF THE CONNECTOR.
- PACKAGING : TAPE & REEL.
- TO CONFORM TO SINGATRON HAZARDOUS SUBSTANCE FREE SPEC.
- HALOGEN FREE PRODUCT IDENTIFICATION MARK ON PRODUCT: ○
- HALOGEN FREE PRODUCT IDENTIFICATION LOGO ON THE PACKAGING: Ⓢ
- FOR REFLOW SOLDERING LEAD-FREE PROCESS.
- PRINTED DATE CODE "YY MM DD " ON TOP OF THE CONNECTOR.



RECOMMENDED PCB LAYOUT  
TOP VIEW : TOL.±0.05  
(PCB THICKNESS=1.20mm)  
STAND OFF AREA

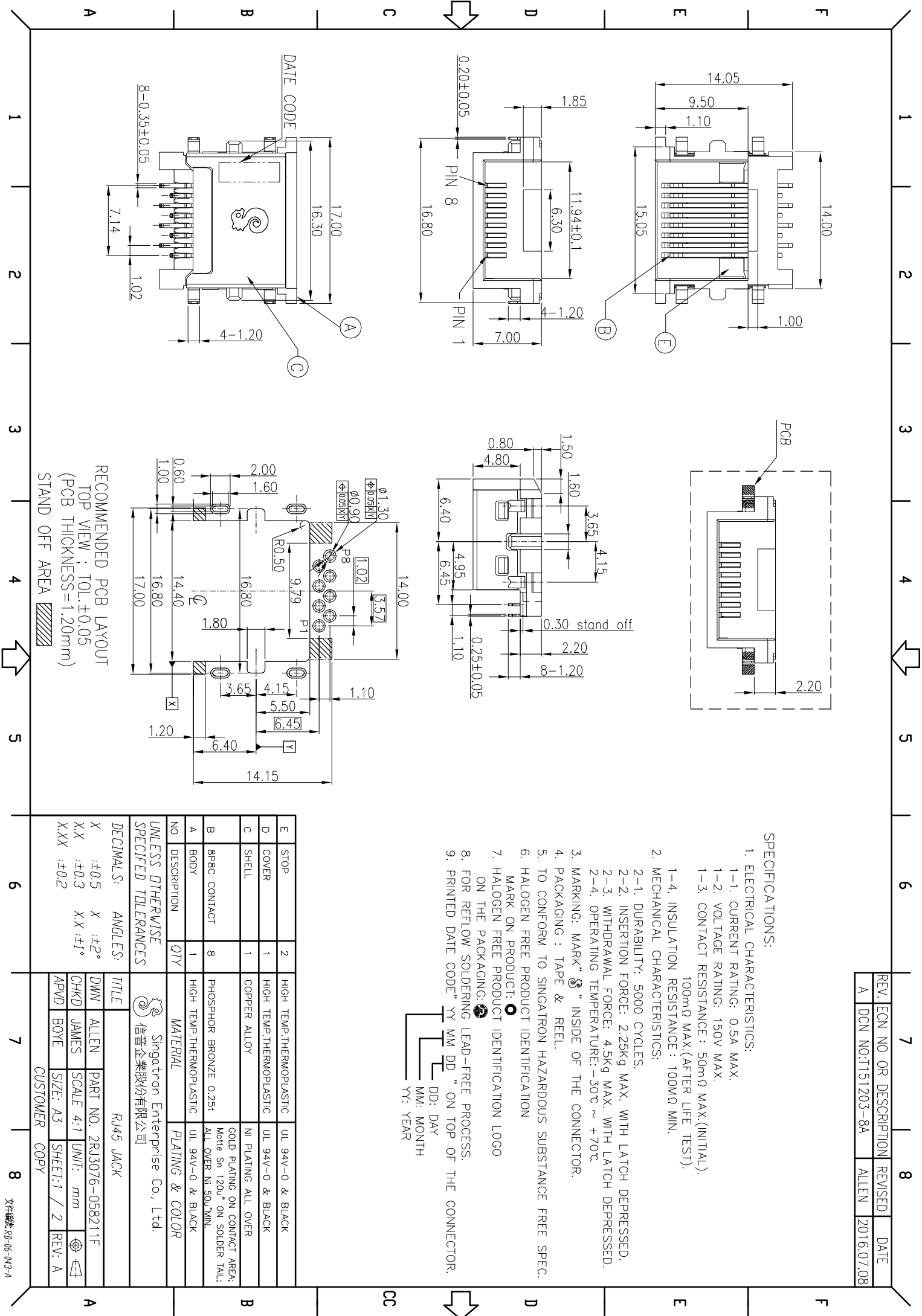


NO	DESCRIPTION	QTY	MATERIAL	PLATING & COLOR
E	STOP	2	HIGH TEMP.THERMOPLASTIC	UL 94V-0 & BLACK
D	COVER	1	HIGH TEMP.THERMOPLASTIC	UL 94V-0 & BLACK
C	SHELL	1	COPPER ALLOY	NI PLATING ALL OVER
B	8P8C CONTACT	8	PHOSPHOR BRONZE 0.25t	GOLD PLATING ON CONTACT AREA. Motte Sn 120u" ON SOLDER TAIL: ALL OVER Ni 50u"MIN.
A	BODY	1	HIGH TEMP.THERMOPLASTIC	UL 94V-0 & BLACK

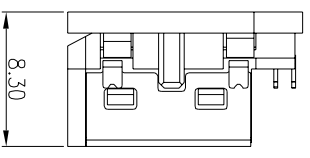
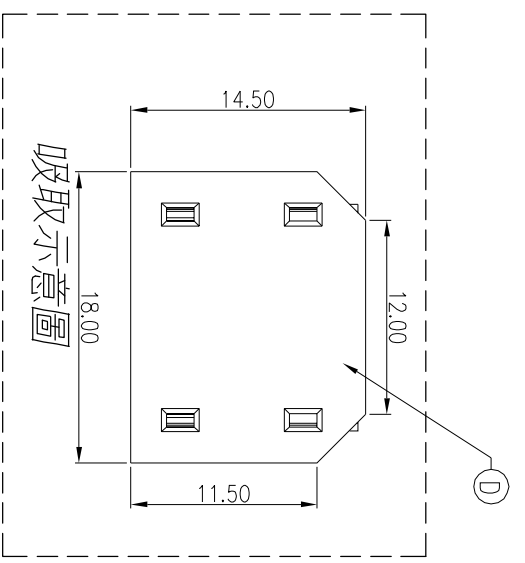
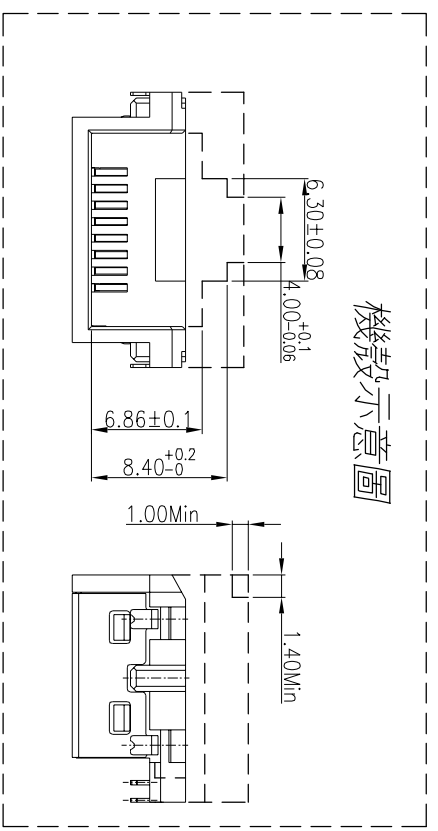
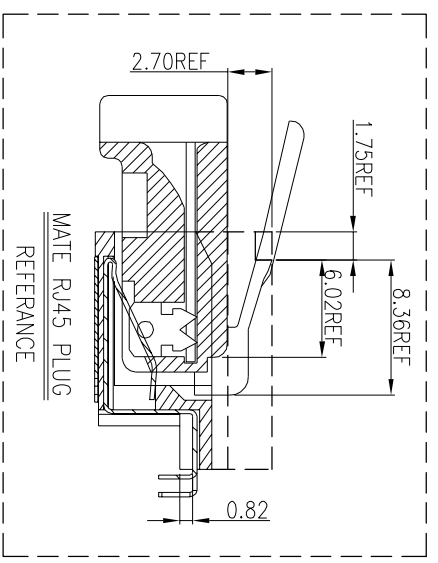
Singatron Enterprise Co., Ltd.  
信晉企業股份有限公司

DECIMALS:		ANGLES:		TITLE	
X	:±0.5	X	:±2°	DWN	ALLEN
X.X	:±0.3	X.X	:±1°	CHKD	JAMES
X.XX	:±0.2			APVD	BOYE

PART NO.		SCALE		SHEET	
2RJ3076-058211F		4:1		1 / 2	
UNIT: mm		REV: A		CUSTOMER COPY	



REV.	ECN NO. OR DCN NO.	DESCRIPTION	REVISED	DATE
A	DCN NO:1151203-8A	ALLEN	2016.07.08	



NO.	DESCRIPTION	QTY	MATERIAL	PLATING & COLOR
	UNLESS OTHERWISE SPECIFIED TOLERANCES			
	DECIMALS:	ANGLES:		
X	±0.5	X ±2°		
X.X	±0.3	X.X ±1°		
X.XX	±0.2			
TITLE: RJ45 JACK				
DWN	ALLEN	PART NO. 2RJ3076-058211F		
CHKD	JAMES	SCALE 4:1 UNIT: mm		
APVD	BOYE	SIZE: A3 SHEET: 2/2		
CUSTOMER COPY				

