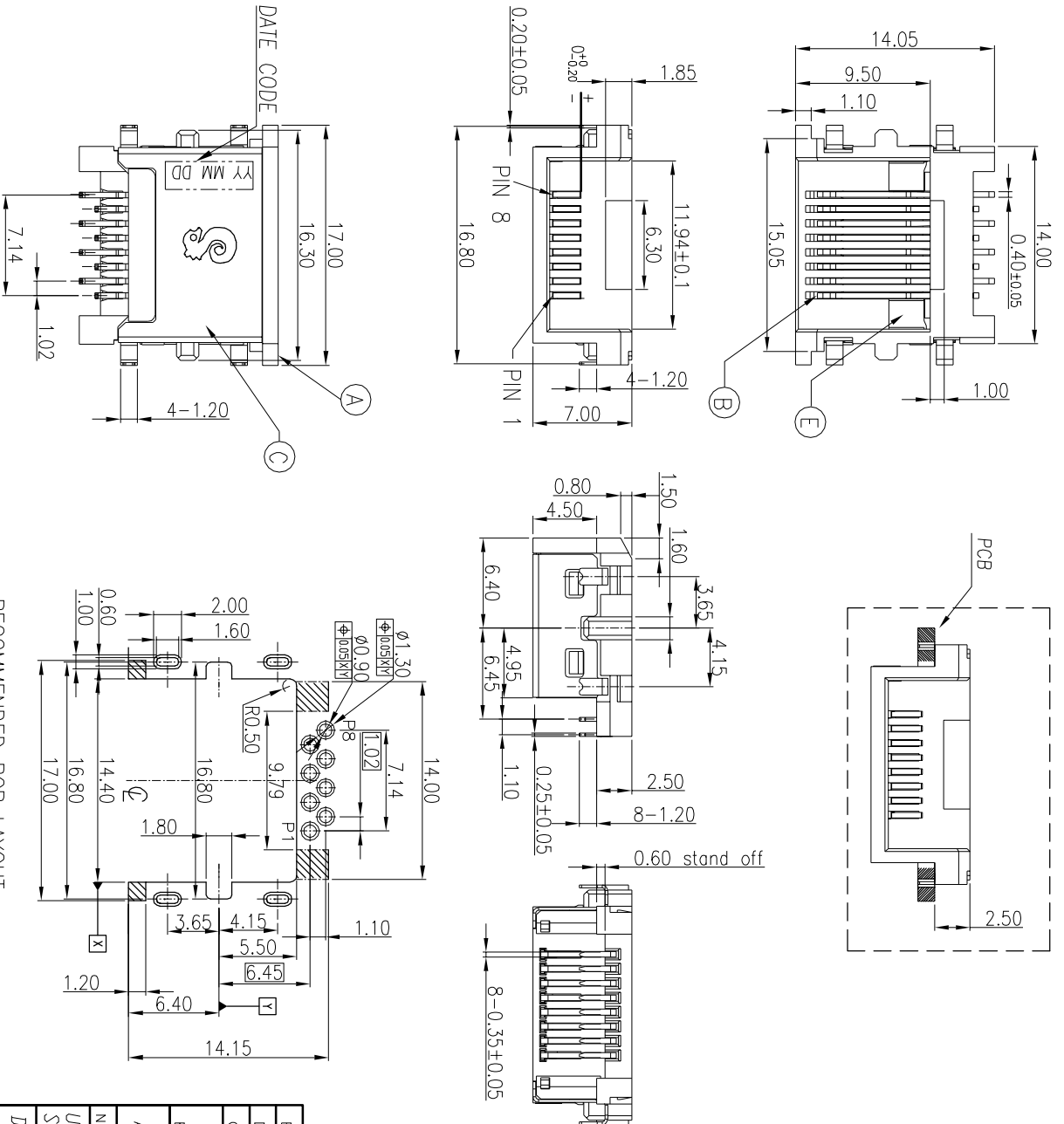


REV.	ECN NO. OR DESCRIPTION	REVISED	DATE
A	PDR NO:161019-3A	ALLEN	2017.08.14

SPECIFICATIONS:

- ELECTRICAL CHARACTERISTICS:
 - CURRENT RATING: 0.5A MAX.
 - VOLTAGE RATING: 150V MAX.
 - CONTACT RESISTANCE : 50mΩ MAX.(INITIAL). 100mΩ MAX.(AFTER LIFE TEST).
 - INSULATION RESISTANCE : 100MΩ MIN.
- MECHANICAL CHARACTERISTICS:
 - DURABILITY: 5000 CYCLES.
 - INSERTION FORCE: 2.25kg MAX. WITH LATCH DEPRESSED.
 - WITHDRAWAL FORCE: 4.5kg MAX. WITH LATCH DEPRESSED.
 - OPERATING TEMPERATURE: -30°C ~ +70°C.
- MARKING: MARK "Ⓢ" INSIDE OF THE CONNECTOR.
- PACKAGING : TAPE & REEL.
- TO CONFORM TO SINGATRON HAZARDOUS SUBSTANCE FREE SPEC.
- HALOGEN FREE PRODUCT IDENTIFICATION MARK ON PRODUCT: ○
- HALOGEN FREE PRODUCT IDENTIFICATION LOGO ON THE PACKAGING: Ⓢ
- FOR REFLOW SOLDERING LEAD-FREE PROCESS.
- PRINTED DATE CODE " YY MM DD " ON TOP OF THE CONNECTOR.



RECOMMENDED PCB LAYOUT
TOP VIEW : TOL.±0.05
(PCB THICKNESS=1.20mm)
STAND OFF AREA

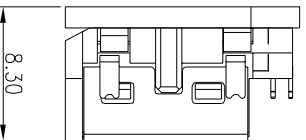
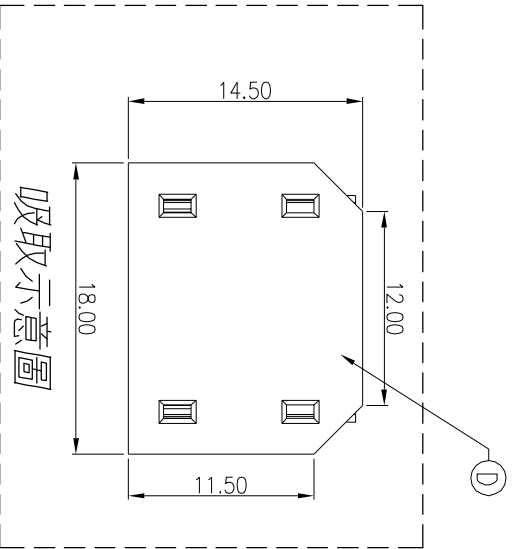
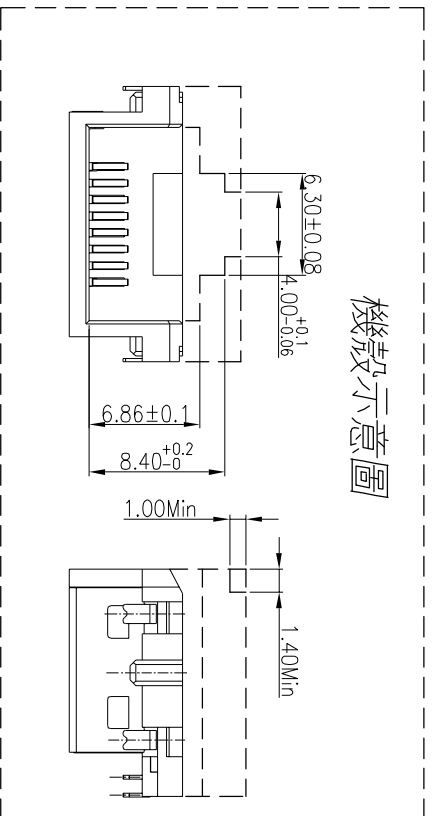
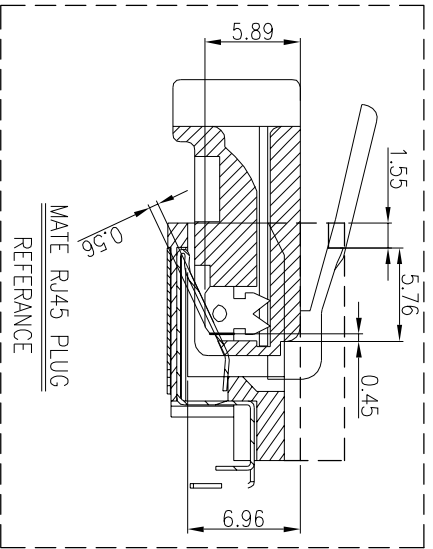
NO	DESCRIPTION	QTY	MATERIAL	PLATING & COLOR
E	STOP	2	HIGH TEMP.THERMOPLASTIC	UL 94V-0 & BLACK
D	COVER	1	HIGH TEMP.THERMOPLASTIC	UL 94V-0 & BLACK
C	SHELL	1	STAINLESS STEEL	NI PLATING ALL OVER
B	8P8C CONTACT	8	PHOSPHOR BRONZE 0.25t	Au:1u" OVER ON CONTACT AREA. Mo:1e Sn 120u" ON SOLDER TAIL. ALL OVER NI 50u"MIN.
A	BODY	1	PA10T (No Recycling Material)	UL 94V-0 & BLACK

Singatron Enterprise Co., Ltd.
信登企業股份有限公司

DECIMALS:	ANGLES:	TITLE	PART NO.	UNIT:	SHEET:	REV:
X :±0.5	X :±2°	DWN	2RJ3076-078211F	mm	1 / 2	A
X.X :±0.3	X.X :±1°	CHKD	SCALE 4:1	mm		
X.XX :±0.2		APVD	BOYE	SIZE: A3		

CUSTOMER COPY

REV.	ECN NO. OR PDR NO.	DESCRIPTION	REVISED BY	DATE
A		1161019-3A	ALLEN	2017.08.14



NO.	DESCRIPTION	QTY	MATERIAL	PLATING & COLOR
UNLESS OTHERWISE SPECIFIED TOLERANCES				
DECIMALS: ANGLES:				
X	:±0.5	X	:±2°	
XX	:±0.3	XX	:±1°	
XXX	:±0.2			
TITLE: RJ45 JACK				
DWN	ALLEN	PART NO.	2R3076-078211F	
CHKD	JAMES	SCALE	4:1	UNIT: mm
APVD	BOYE	SIZE:	A3	SHEET: 2/2
CUSTOMER COPY				