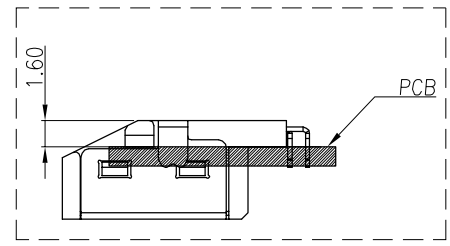
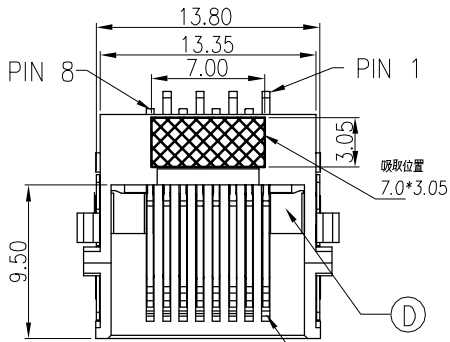
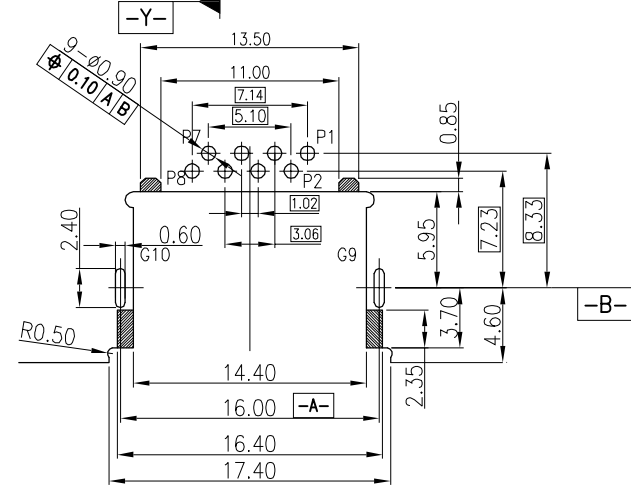
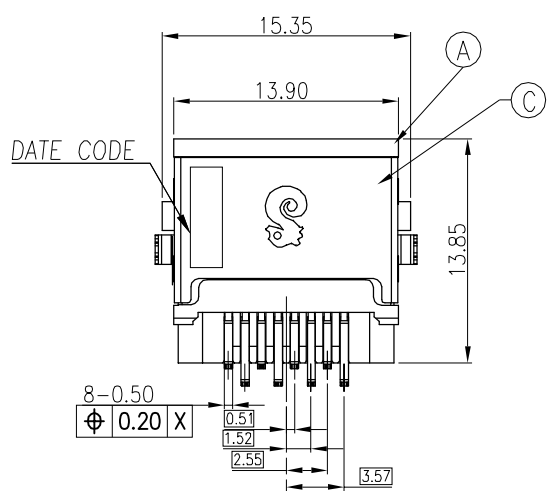
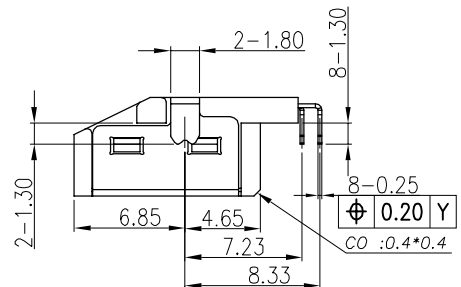
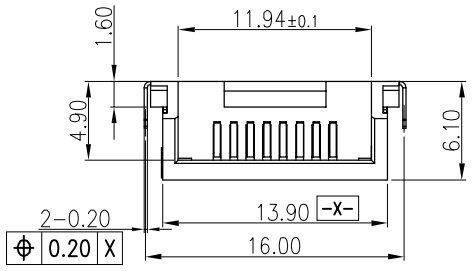


REV.	ECN NO OR DESCRIPTION	REVISED	DATE
A	PDR NO:T200714-2A	XIAO	2021.03.12



SPECIFICATIONS:

- ELECTRICAL CHARACTERISTICS:
 - CURRENT RATING: 0.5A MAX.
 - VOLTAGE RATING: 150V MAX.
 - CONTACT RESISTANCE : 50mΩ MAX.(INITIAL).
100mΩ MAX.(AFTER LIFE TEST).
 - INSULATION RESISTANCE: 100MΩ MIN.
- MECHANICAL CHARACTERISTICS:
 - DURABILITY: 5000 CYCLES.
 - INSERTION FORCE: 2.25Kg MAX. WITH LATCH DEPRESSED.
 - WITHDRAWAL FORCE: 4.5Kg MAX. WITH LATCH DEPRESSED.
 - OPERATING TEMPERATURE: -30℃ ~ +75℃
- MARKING: MARK "S" INSIDE OF THE CONNECTOR.
- PACKAGING : TAPE & REEL.
- TO CONFORM TO SINGATRON HAZARDOUS SUBSTANCE FREE SPEC.
- HALOGEN FREE PRODUCT IDENTIFICATION
MARK ON PRODUCT: ●
- HALOGEN FREE PRODUCT IDENTIFICATION LOGO
ON THE PACKAGING: ●
- FOR REFLOW SOLDERING LEAD-FREE PROCESS.
- PRINTED DATE CODE" YY MM DD " ON TOP OF THE CONNECTOR.
 - DD: DAY
 - MM: MONTH
 - YY: YEAR

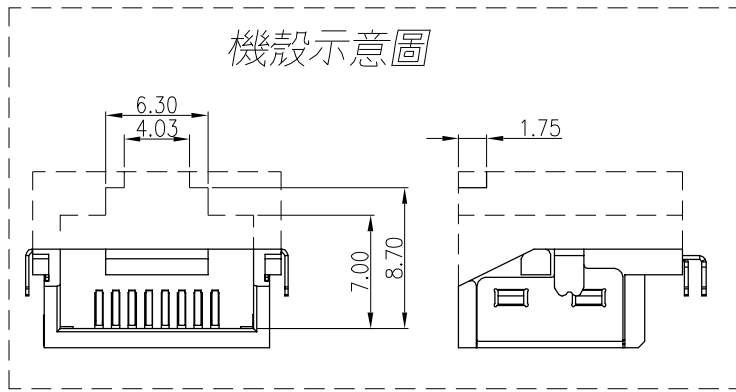
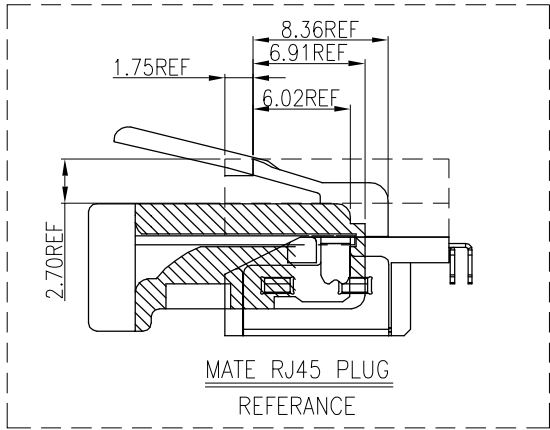


RECOMMENDED PCB LAYOUT
TOP VIEW ; TOL:±0.05
(PCB THICKNESS=1.00mm)
Stand off: No trace No via

D	STOP	2	HIGH TEMP.THERMOPLASTIC	UL 94V-0 & YELLOW
C	SHELL	1	STAINLESS STEEL 0.2T	NI PLATING ALL OVER
B	8PCS CONTACT	8	PHOSPHOR BRONZE 0.25T	Au 3u" ON CONTACT AREA; Matte Sn 120u" ON SOLDER TAIL; ALL OVER Ni 50u"MIN.
A	BODY	1	HIGH TEMP.THERMOPLASTIC	UL 94V-0 & BLACK
NO	DESCRIPTION	QTY	MATERIAL	PLATING & COLOR

UNLESS OTHERWISE SPECIFIED TOLERANCES		Singatron Enterprise Co., Ltd. 信音企业股份有限公司	
DECIMALS:	ANGLES:	TITLE	RJ45 JACK
X.X :±0.5	X.X :±2°	DWN	XIAO
X.XX :±0.3	X.XX :±1°	CHKD	ALLEN
X.XXX :±0.2		APVD	BOYE
		PART NO.	2RJ3076-0K8211F
		SCALE	4:1
		UNIT:	mm
		SHEET:	1 / 2
		REV:	A
CUSTOMER COPY			

REV.	ECN NO OR DESCRIPTION	REVISED	DATE
A	PDR NO:T200714-2A	XIAO	2021.03.12



NO	DESCRIPTION	QTY	MATERIAL	PLATING & COLOR		
UNLESS OTHERWISE SPECIFIED TOLERANCES			Singatron Enterprise Co., Ltd. 信音企業股份有限公司			
DECIMALS:		ANGLES:	TITLE	RJ45 JACK		
X	:±0.5	X	:±2°	DWN	XIAO	PART NO. 2RJ3076-0K8211F
X.X	:±0.3	X.X	:±1°	CHKD	ALLEN	SCALE 4:1 UNIT: mm
X.XX	:±0.2			APVD	BOYE	SIZE: A3 SHEET:2/2 REV: A
CUSTOMER COPY						