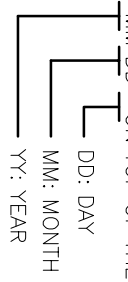


SPECIFICATIONS:

1. ELECTRICAL CHARACTERISTICS:
 - 1-1. CURRENT RATING: 1.5A MAX.
 - 1-2. VOLTAGE RATING: 150V MAX.
 - 1-3. CONTACT RESISTANCE: 50mΩ MAX.(INITIAL), 100mΩ MAX.(AFTER LIFE TEST).
 - 1-4. INSULATION RESISTANCE: 100MΩ MIN.
 - 1-5. Dielectric Withstanding Voltage : 500 V AC
2. MECHANICAL CHARACTERISTICS:
 - 2-1. DURABILITY: 5000 CYCLES.
 - 2-2. INSERTION FORCE: 2.25kg MAX. WITH LATCH DEPRESSED.
 - 2-3. WITHDRAWAL FORCE: 4.5kg MAX. WITH LATCH DEPRESSED.
 - 2-4. OPERATING TEMPERATURE: -30°C ~ +70°C.
3. MARKING: MARK" ㉚ " INSIDE OF THE CONNECTOR.
4. PACKAGING : TAPE & REEL.
5. TO CONFORM TO SINGATRON HAZARDOUS SUBSTANCE FREE SPEC.
6. HALOGEN FREE PRODUCT IDENTIFICATION MARK ON PRODUCT: ○
7. HALOGEN FREE PRODUCT IDENTIFICATION LOGO ON THE PACKAGING: ㉚
8. FOR REFLOW SOLDERING LEAD-FREE PROCESS.
9. PRINTED DATE CODE" YY MM DD "ON TOP OF THE CONNECTOR.

NOTE	COLOR
A1(+)	A2(-)
B1(+)	B2(-)
AMBER	B1+B= B2



RECOMMENDED PCB LAYOUT
TOP VIEW : TOL.±0.05
(PCB THICKNESS=1.00mm)

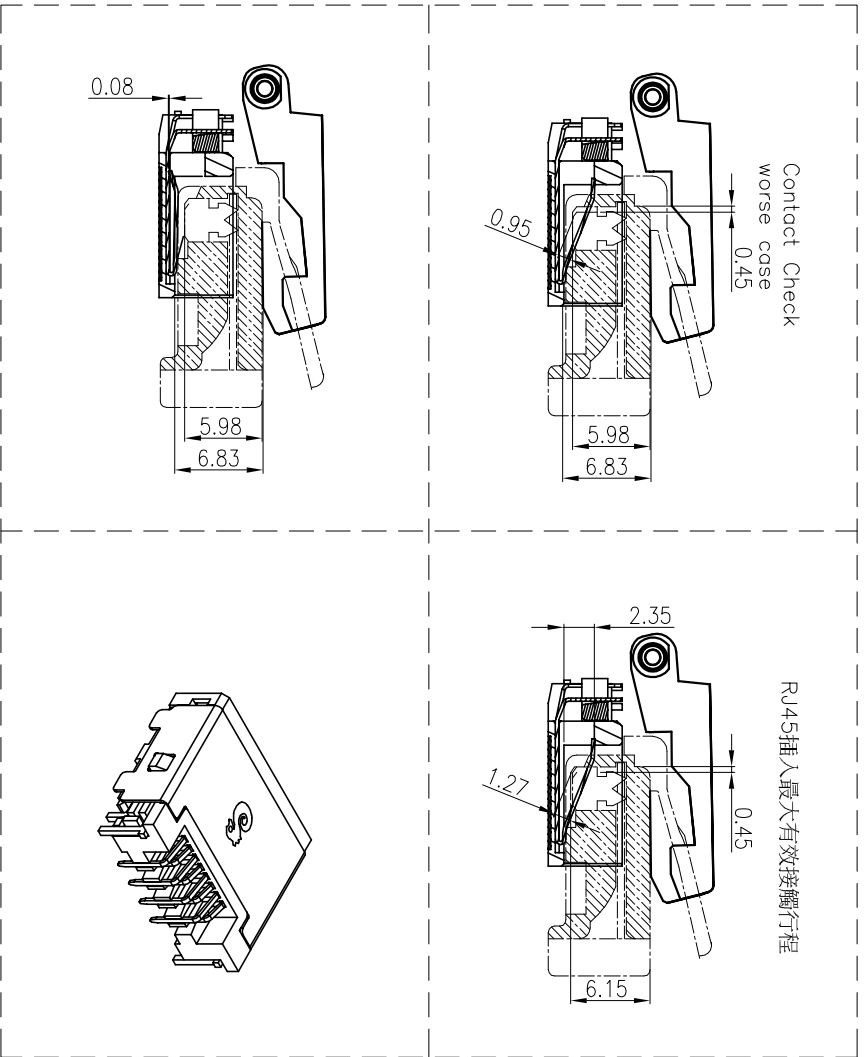
REV.	ECN NO OR DESCRIPTION	REVISED	DATE
A	PDR NO:1130605-4A	ALLEN	2014.03.13

E	LED 2	1	AMBER	
D	LED 1	1	GREEN	
C	SHELL	1	STAINLESS STEEL	NICKEL
B	TERMINAL	8	PHOSPHOR BRONZE	NI PLATING ALL OVER C/F ON CONTACT AREA. Matte Sn 80μ" ON SOLDER TAIL; ALL OVER IN 500"MIN.
A	HOUSING	1	HIGH TEMP.THERMOPLASTIC	UL 94V-0 & BLACK
NO	DESCRIPTION	QTY	MATERIAL	PLATING & COLOR
UNLESS OTHERWISE SPECIFIED TOLERANCES				
DECIMALS: ANGLES:				
X	:±0.5	X	:±2°	
X.X	:±0.3	X.X	:±1°	
X.XX	:±0.2			
TITLE		R45 JACK		
DMN	ALLEN	PART NO.	2RJ3081-10821TF	
CHKD		SCALE	4:1 UNIT: mm	
APVD	JAMES	SIZE:	A3 SHEET 1 OF 2 REV: A	
CUSTOMER COPY				

Singatron Enterprise Co., Ltd.
信晉企業股份有限公司

文#編# RD-06-045-A

REV.	EGN NO OR DESCRIPTION	REVISED	DATE
A	PDR NO:130605-4A	ALLEN	2014.03.13



NO	DESCRIPTION	QTY	MATERIAL	PLATING & COLOR
UNLESS OTHERWISE SPECIFIED TOLERANCES				
DECIMALS: ANGLES:				
X	:±0.5	X	:±2°	
X.X	:±0.3	X.X	:±1°	
X.XX	:±0.2			
TITLE: RJ45 JACK				
DMW	ALLEN	PART NO.	2RJ3081-108211F	
CHKD		SCALE	4:1	UNIT: mm
APVD	JAMES	SIZE: A3	SHEET: 2	REV: A
CUSTOMER COPY				

 Singatron Enterprise Co., Ltd.
 信晉企業股份有限公司

