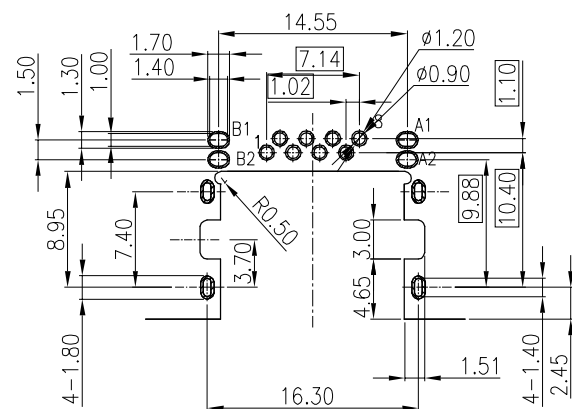
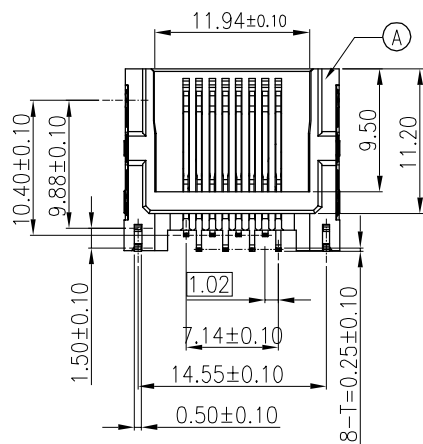
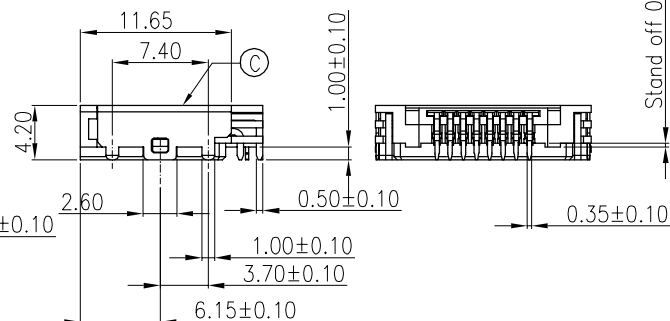
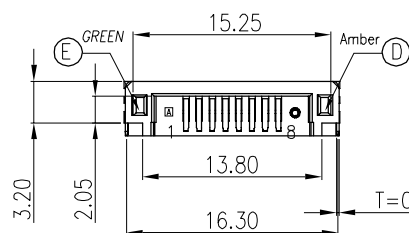
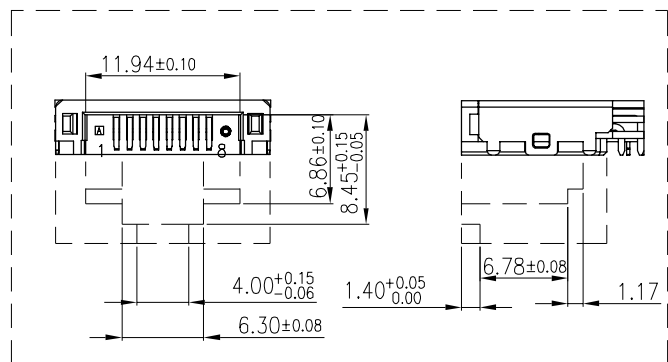
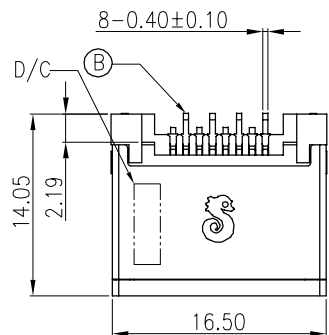


REV.	ECN NO OR DESCRIPTION	REVISED	DATE
A	PDR NO: T200303-1A	YANGXIAO	2020.11.02



RECOMMENDED PCB LAYOUT
TOP VIEW ; TOL.±0.05
(PCB THICKNESS=1.00mm)

SPECIFICATIONS:

- ELECTRICAL CHARACTERISTICS:
 - CURRENT RATING: 1.5A MAX.
 - VOLTAGE RATING: 150V MAX.
 - CONTACT RESISTANCE : 50mΩ MAX.(INITIAL).
100mΩ MAX.(AFTER LIFE TEST).
 - INSULATION RESISTANCE : 100MΩ MIN.
 - Dielectric Withstanding Voltage :1500 V AC & 2250 V DC
- MECHANICAL CHARACTERISTICS:
 - DURABILITY: 5000 CYCLES.
 - INSERTION FORCE: 2.25Kg MAX. WITH LATCH DEPRESSED.
 - WITHDRAWAL FORCE: 4.5Kg MAX. WITH LATCH DEPRESSED.
 - OPERATING TEMPERATURE:-30℃ ~ +70℃.
- MARKING: MARK "S" "INSIDE OF THE CONNECTOR.
- PACKAGING : TAPE & REEL.
- TO CONFORM TO SINGATRON HAZARDOUS SUBSTANCE FREE SPEC.
- HALOGEN FREE PRODUCT IDENTIFICATION
MARK ON PRODUCT:
- HALOGEN FREE PRODUCT IDENTIFICATION LOGO
ON THE PACKAGING:
- FOR REFLOW SOLDERING LEAD-FREE PROCESS.
- PRINTED DATE CODE" YY MM DD " ON TOP OF THE CONNECTOR.

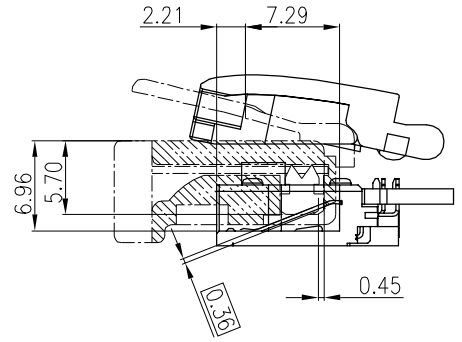
DD: DAY
MM: MONTH
YY: YEAR

E	LED 2	1		GREEN
D	LED 1	1		Amber
C	SHELL	1	STAINLESS STEEL	NICKEL
B	TERMINAL	8	PHOSPHOR BRONZE	Au"3u" ON CONTACT AREA; Matte Sn 80u" ON SOLDER TAIL; ALL OVER Ni: 50u"MIN.
A	HOUSING	1	HIGH TEMP.THERMOPLASTIC	UL 94V-0 & BLACK
NO	DESCRIPTION	QTY	MATERIAL	PLATING & COLOR
UNLESS OTHERWISE SPECIFIED TOLERANCES			Singatron Enterprise Co., Ltd. 	
DECIMALS: ANGLES:		TITLE: RJ45 JACK		
X	:±0.5 X :±2°	DWN	YANGXIAO	PART NO. 2RJ3081-158211F
X.X	:±0.3 X.X :±1°	CHKD	ALLEN	SCALE 4:1 UNIT: mm
X.XX	:±0.2	APVD	BOYE	SIZE: A3 SHEET:1 OF 2 REV: A
CUSTOMER COPY				

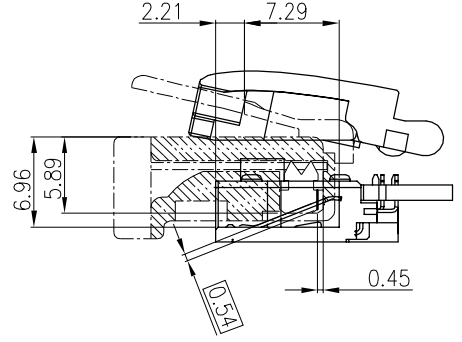
1 2 3 4 5 6 7 8

REV.	ECN NO OR DESCRIPTION	REVISED	DATE
A	PDR NO: T200303-1A	YANGXIAO	2020.11.02

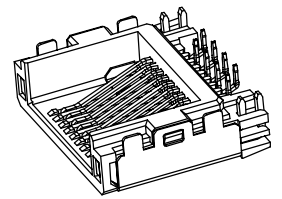
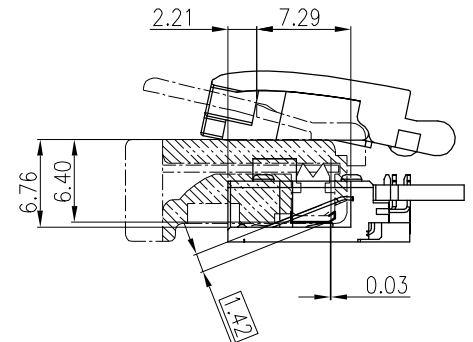
5.70 Plug Worst case 分析



5.89 Plug Worst case 分析



6.40 Plug Worst case 分析



IEC & FCC SPEC

NODE	COLOR		Wavelength	DC Forward Current	Forward Voltage
A1(+) A2(-)	Amber	A1↔A2	λd 584~597	6mA	3.3V
B1(+) B2(-)	GREEN	B1↔B2	λd 564~576	6mA	3.3V

NO	DESCRIPTION	QTY	MATERIAL	PLATING & COLOR
UNLESS OTHERWISE SPECIFIED TOLERANCES		Singatron Enterprise Co., Ltd. 信音企業股份有限公司		
DECIMALS: X :±0.5 X.X :±0.3 X.XX :±0.2		TITLE: RJ45 JACK		
ANGLES: X :±2° X.X :±1° X.XX :±0.2		DWN YANGXIAO PART NO. 2RJ3081-158211F		
CHKD ALLEN	SCALE 4:1	UNIT: mm	Ⓢ	
APVD BOYE	SIZE: A3	SHEET2 OF 2	REV: A	
CUSTOMER COPY				

1 2 3 4 5 6 7 8