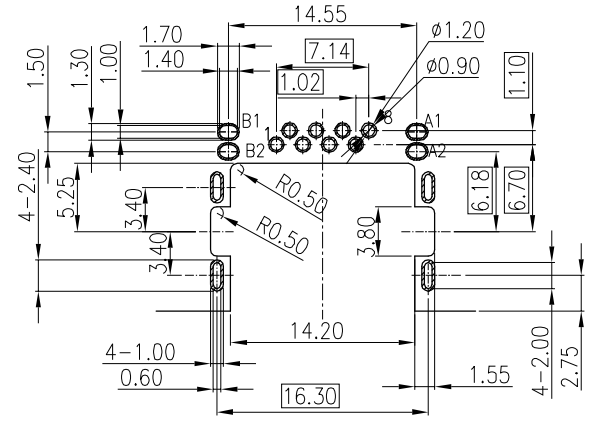
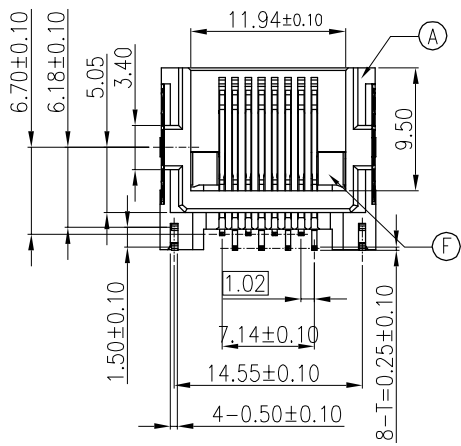
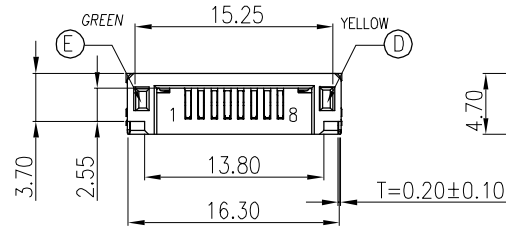
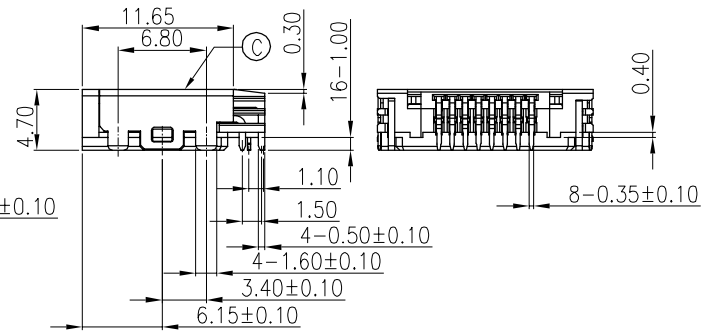
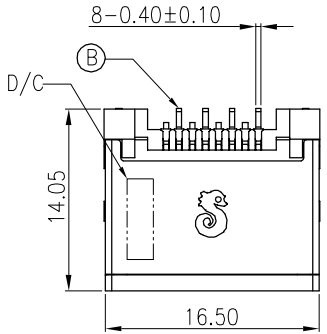
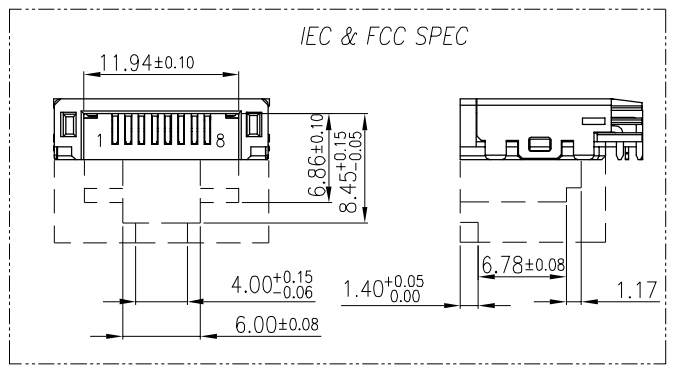


REV.	ECN NO OR DESCRIPTION	REVISED	DATE
B	ECN NO: S190411-C&S190505-C	PAN	2019.06.27
C	ECN NO: S202007-C10	PAN	2020.12.25
D	ECN NO: S202105-C10	XIAO	2021.08.16

SPECIFICATIONS:

- ELECTRICAL CHARACTERISTICS:
 - CURRENT RATING: 1.5A MAX.
 - VOLTAGE RATING: 150V MAX.
 - CONTACT RESISTANCE : 50mΩ MAX.(INITIAL).
100mΩ MAX.(AFTER LIFE TEST).
 - INSULATION RESISTANCE : 100MΩ MIN.
 - Dielectric Withstanding Voltage : 500 V AC
- MECHANICAL CHARACTERISTICS:
 - DURABILITY: 5000 CYCLES.
 - INSERTION FORCE: 2.25Kg MAX. WITH LATCH DEPRESSED.
 - WITHDRAWAL FORCE: 4.5Kg MAX. WITH LATCH DEPRESSED.
 - OPERATING TEMPERATURE: -30℃ ~ +70℃.
- MARKING: MARK "S" INSIDE OF THE CONNECTOR.
- PACKAGING : TAPE & REEL.
- TO CONFORM TO SINGATRON HAZARDOUS SUBSTANCE FREE SPEC
- HALOGEN FREE PRODUCT IDENTIFICATION MARK ON PRODUCT:
- HALOGEN FREE PRODUCT IDENTIFICATION LOGO ON THE PACKAGING:
- FOR REFLOW SOLDERING LEAD-FREE PROCESS.
- PRINTED DATE CODE "YY MM DD " ON TOP OF THE CONNECTOR.

DD: DAY
MM: MONTH
YY: YEAR



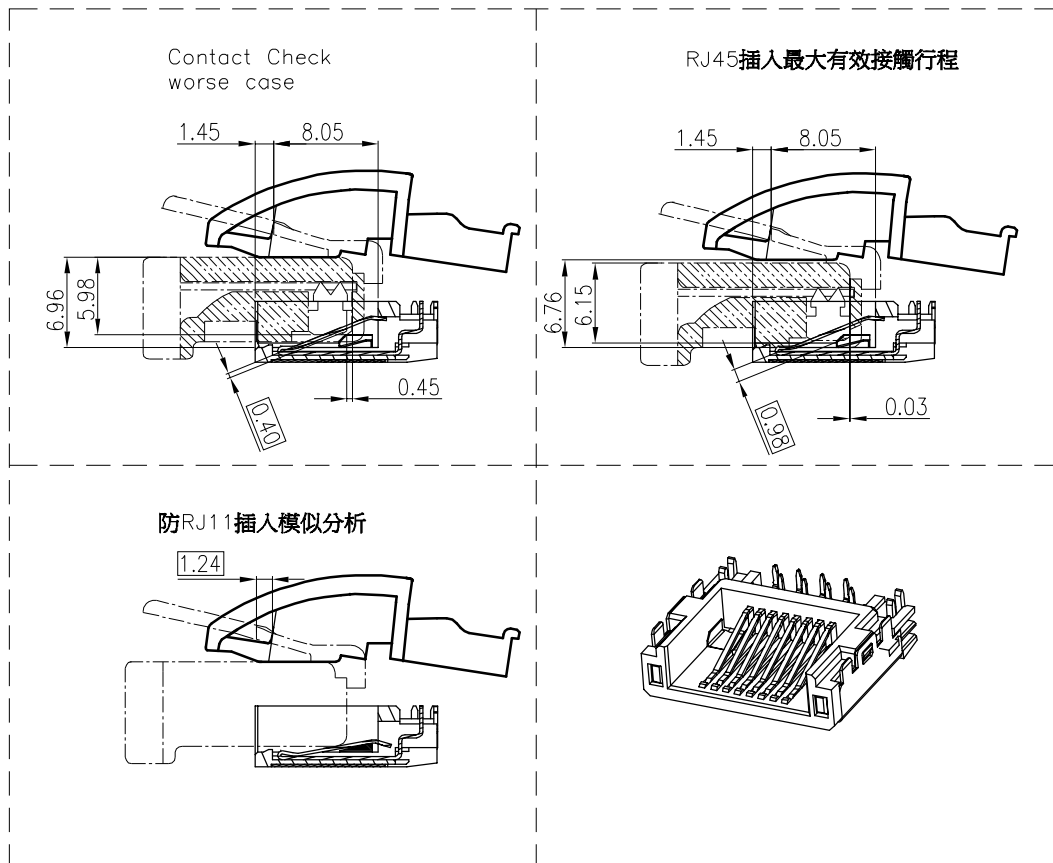
RECOMMENDED PCB LAYOUT
TOP VIEW ; TOL.±0.05
(PCB THICKNESS=1.00mm)

NODE	COLOR	Wavelength		
A1(+)	A2(-)	YELLOW	A1→A2	Ad 585~594
B1(+)	B2(-)	GREEN	B1→B2	Ad 565~574

NO	DESCRIPTION	QTY	MATERIAL	PLATING & COLOR
F	STOP	2	HIGH TEMP.THERMOPLASTIC	UL 94V-0 & Yellow
E	LED 2	1	GREEN	Matte Sn 80u" ON SOLDER TAIL;
D	LED 1	1	YELLOW	Matte Sn 80u" ON SOLDER TAIL;
C	SHELL	1	STAINLESS STEEL	NICKEL
B	TERMINAL	8	PHOSPHOR BRONZE	NI PLATING ALL OVER G/F ON CONTACT AREA; Matte Sn 120u" ON SOLDER TAIL; ALL OVER Ni: 50u"MIN.
A	HOUSING	1	HIGH TEMP.THERMOPLASTIC	UL 94V-0 & BLACK

UNLESS OTHERWISE SPECIFIED TOLERANCES		Singatron Enterprise Co., Ltd. 	
DECIMALS:	ANGLES:	TITLE	RJ45 JACK
X : ±0.5	X : ±2°	DWN	xiao
X.X : ±0.3	X.X : ±1°	APVD	BOYE
X.XX : ±0.2			
		PART NO.	2RJ3081-1H8211F
		SCALE	4:1
		UNIT:	mm
		SHEET:	1 OF 2
		REV:	D
CUSTOMER COPY			

REV.	ECN NO OR DESCRIPTION	REVISED	DATE
B	ECN NO: S190411-C&S190505-C	PAN	2019.06.27
C	ECN NO: S202007-C10	PAN	2020.12.25
D	ECN NO: S202105-C10	XIAO	2021.08.16



NO	DESCRIPTION	QTY	MATERIAL	PLATING & COLOR
UNLESS OTHERWISE SPECIFIED TOLERANCES		Singatron Enterprise Co., Ltd. 信音企業股份有限公司		
DECIMALS: ANGLES:		TITLE: RJ45 JACK		
X	:±0.5	X	:±2°	DWN xiao PART NO. 2RJ3081-1H8211F
X.X	:±0.3	X.X	:±1°	CHKD ALLEN SCALE 4:1 UNIT: mm
X.XX	:±0.2	APVD	BOYE	SIZE: A3 SHEET2 OF 2 REV: D
CUSTOMER COPY				