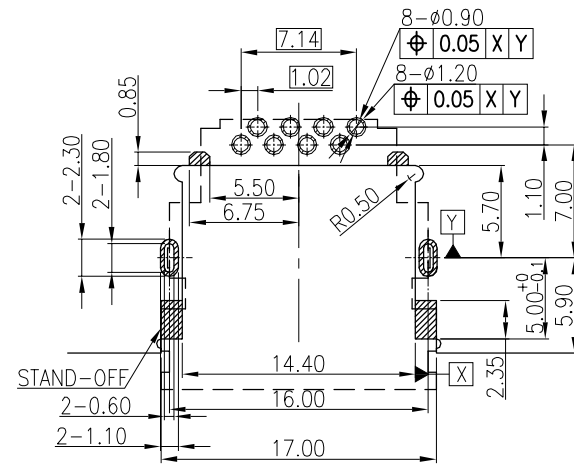
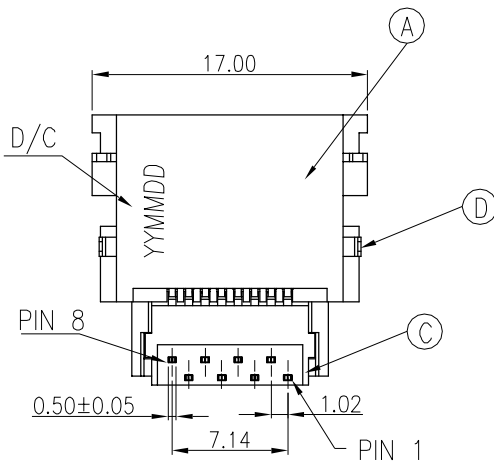
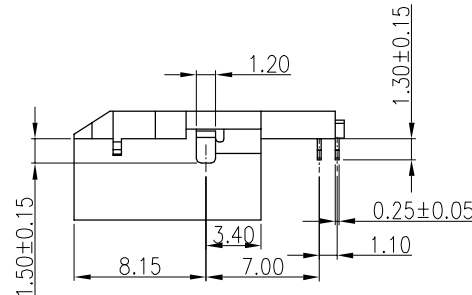
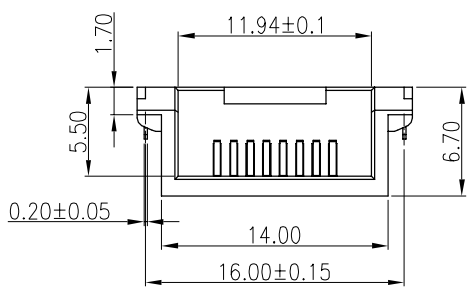
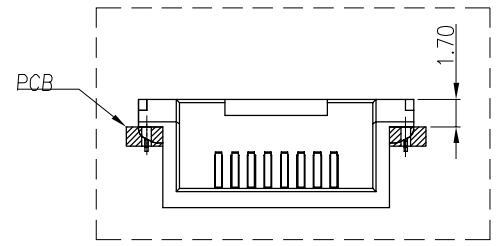
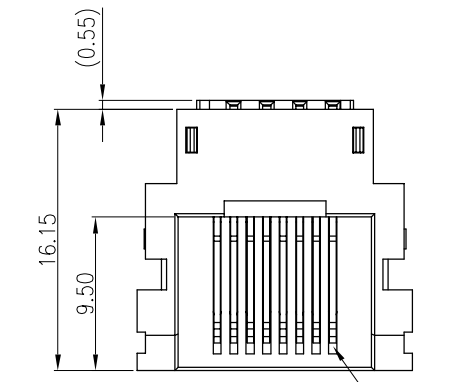


REV.	ECN NO OR DESCRIPTION	REVISED	DATE
A	PDR NO.T130815-3A	ALLEN	2014.10.23
B	ECN NO.S202108-R10	XIAO	2021.10.29

SPECIFICATIONS:

- ELECTRICAL CHARACTERISTICS:
  - CURRENT RATING: 0.5A MAX.
  - VOLTAGE RATING: 150V MAX.
  - CONTACT RESISTANCE : 50mΩ MAX.(INITIAL).  
100mΩ MAX.(AFTER LIFE TEST).
  - INSULATION RESISTANCE: 100MΩ MIN.
- MECHANICAL CHARACTERISTICS:
  - DURABILITY: 5000 CYCLES.
  - INSERTION FORCE: 2.25Kg MAX. WITH LATCH DEPRESSED.
  - WITHDRAWAL FORCE: 4.5Kg MAX. WITH LATCH DEPRESSED.
  - OPERATING TEMPERATURE: -30℃ ~ +70℃
- PACKAGING : TAPE & REEL.
- TO CONFORM TO SINGATRON HAZARDOUS SUBSTANCE FREE SPEC.
- HALOGEN FREE PRODUCT IDENTIFICATION  
MARK ON PRODUCT:
- HALOGEN FREE PRODUCT IDENTIFICATION LOGO  
ON THE PACKAGING:
- FOR REFLOW SOLDERING LEAD-FREE PROCESS.
- PRINTED DATE CODE" YY MM DD " ON TOP OF THE CONNECTOR.

DD: DAY  
MM: MONTH  
YY: YEAR



RECOMMENDED PCB LAYOUT  
TOP VIEW ; TOL.±0.05  
(PCB THICKNESS=1.20mm)

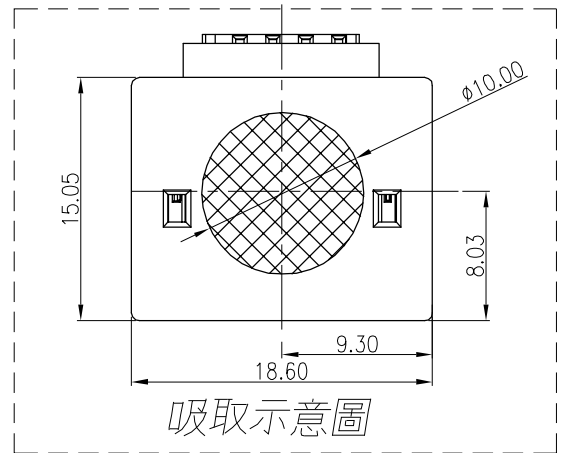
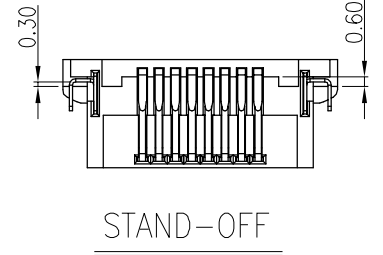
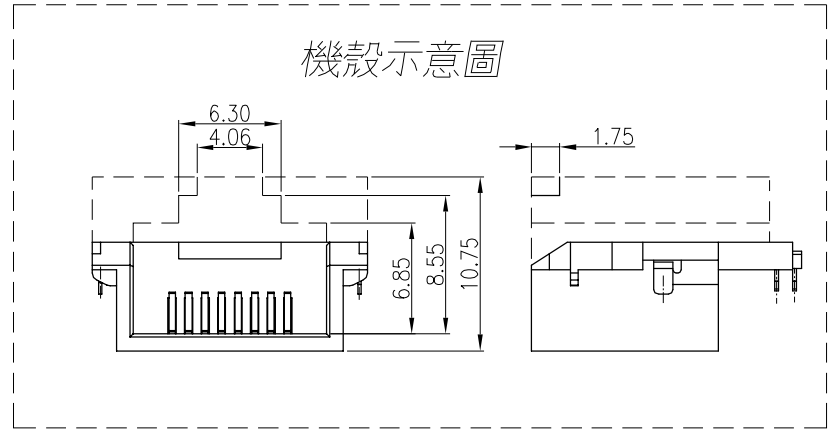
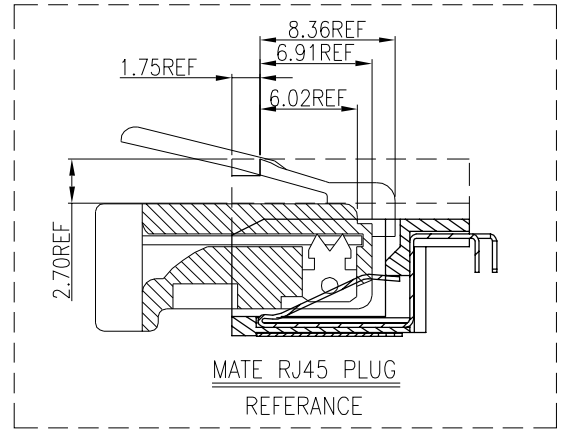
D	HOCK	2	Stainless Steel 0.20t	100µin Min.Matte Tin plating on solder tail area, and 50µin Min.Nickel under plating.
C	COVER	1	HIGH TEMP.THERMOPLASTIC	UL 94V-0 & BLACK
B	8P8C CONTACT	8	PHOSPHOR BRONZE 0.25t	G/F plating on contact area, 120µin Min. Matte Tin plating on solder tail area, and 50µin Min. Nickel under plating.
A	BODY	1	HIGH TEMP.THERMOPLASTIC	UL 94V-0 & BLACK
NO	DESCRIPTION	QTY	MATERIAL	PLATING & COLOR

UNLESS OTHERWISE SPECIFIED TOLERANCES

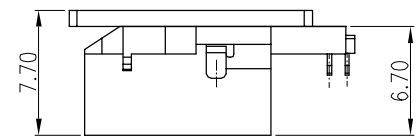
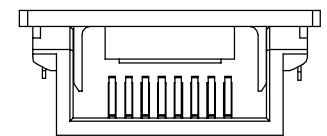
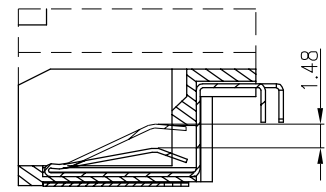
Singatron Enterprise Co., Ltd.  
信音企業股份有限公司

DECIMALS:	ANGLES:	TITLE	RJ45 JACK		
X : ±0.5	X : ±2°	DWN	XIAO	PART NO. 2RJ3085-008211F	
X.X : ±0.3	X.X : ±1°	CHKD	ALLEN	SCALE 4:1	UNIT: mm
X.XX : ±0.2		APVD	BOYE	SIZE: A3	SHEET: 1 / 2 REV: B
CUSTOMER COPY					

REV.	ECN NO OR DESCRIPTION	REVISED	DATE
A	PDR NO.T130815-3A	ALLEN	2014.10.23
B	ECN NO.S202108-R10	XIAO	2021.10.29



端子下壓行程



NO	DESCRIPTION	QTY	MATERIAL	PLATING & COLOR
UNLESS OTHERWISE SPECIFIED TOLERANCES			Singatron Enterprise Co., Ltd. 信音企業股份有限公司	
DECIMALS:		ANGLES:	TITLE	
X	:±0.5	X	±2°	RJ45 JACK
X.X	:±0.3	X.X	±1°	DWN XIAO PART NO. 2RJ3085-008211F
X.XX	:±0.2			CHKD ALLEN SCALE 4:1 UNIT: mm
			APVD BOYE SIZE: A3 SHEET:2/2	REV: B
CUSTOMER COPY				