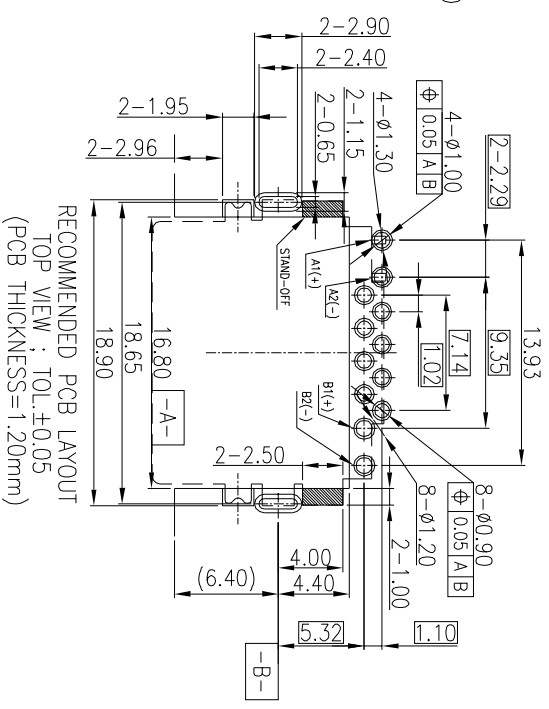
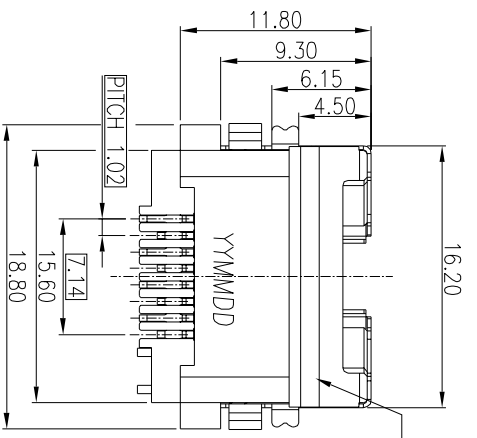
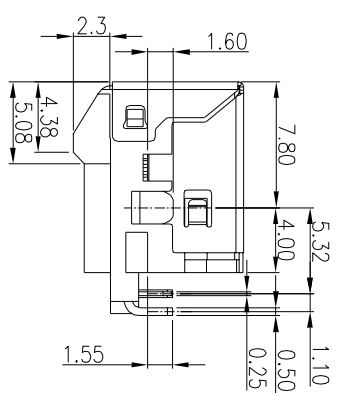
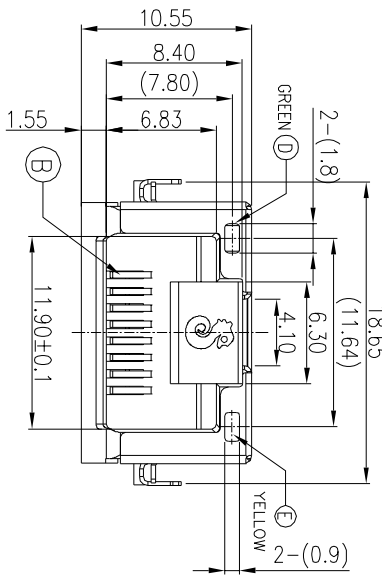
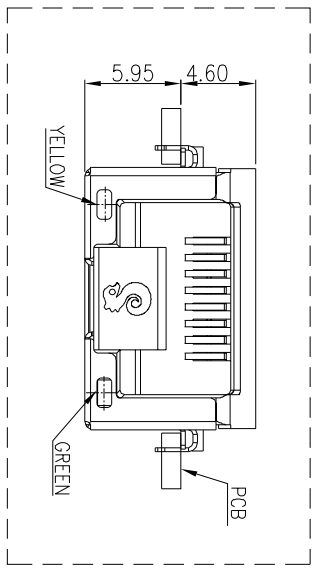
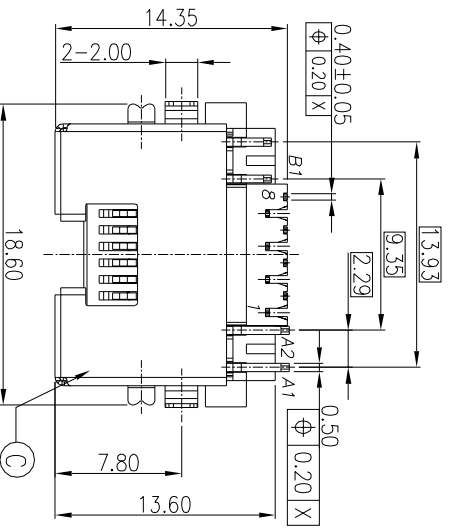


REV.	ECN NO OR DESCRIPTION	REVISED	DATE
A	PDR NO.S160119-1A	JAMES	2016.12.02

SPECIFICATIONS:

- 1. ELECTRICAL CHARACTERISTICS:**
- 1-1. CURRENT RATING: 1.5A MAX.
 - 1-2. VOLTAGE RATING: 150V MAX.
 - 1-3. CONTACT RESISTANCE : 50mΩ MAX.(INITIAL).
100mΩ MAX.(AFTER LIFE TEST).
 - 1-4. INSULATION RESISTANCE : 100MΩ MIN.
- 2. MECHANICAL CHARACTERISTICS:**
- 2-1. DURABILITY: 5000 CYCLES.
 - 2-2. INSERTION FORCE: 2.25kg MAX. WITH LATCH DEPRESSED.
 - 2-3. WITHDRAWAL FORCE: 4.5kg MAX. WITH LATCH DEPRESSED.
 - 2-4. OPERATING TEMPERATURE:-30℃ ~ +70℃.
- 3. MARKING: MARK "S" INSIDE OF THE CONNECTOR.
 - 4. PACKAGING : TAPE & REEL.
 - 5. TO CONFORM TO SINGATRON HAZARDOUS SUBSTANCE FREE SPEC.
 - 6. HALOGEN FREE PRODUCT IDENTIFICATION
 - 7. HALOGEN FREE PRODUCT IDENTIFICATION LOGO
 - 8. FOR REFLOW SOLDERING LEAD-FREE PROCESS.
 - 9. PRINTED DATE CODE "YY MM DD " ON TOP OF THE CONNECTOR.



RECOMMENDED PCB LAYOUT
TOP VIEW : TOL.±0.05
(PCB THICKNESS=1.20mm)

NODE	COLOR	Wavelength
A1(+)	A2(-)	585~594(nm)
B1(+)	B2(-)	564.5~576.5(nm)

NO	DESCRIPTION	QTY	MATERIAL	PLATING & COLOR
E	LED	1		YELLOW
D	LED	1		GREEN
C	SHELL	1	STAINLESS STEEL	BLACK NI PLATING ALL OVER
B	8P8C CONTACT	8	PHOSPHOR BRONZE	Au 5u" ON CONTACT AREA; MoTe Sn 120u" ON SOLDER TAIL; ALL OVER Ni 50u"MIN.
A	BODY	1	R630NH+30%GF	UL 94V-0 & BLACK

Singatron Enterprise Co., Ltd.
信登企業股份有限公司

DECIMALS:	ANGLES:	TITLE	DWM	CHKD	APVD
±0.5	±2°	RJ45 JACK	James	Boye	Boye
±0.3	±1°	PART NO. 2RJ3089-118211F	SCALE 4:1	UNIT: mm	SHEET: 1 / 1
±0.2		CUSTOMER COPY			REV: A