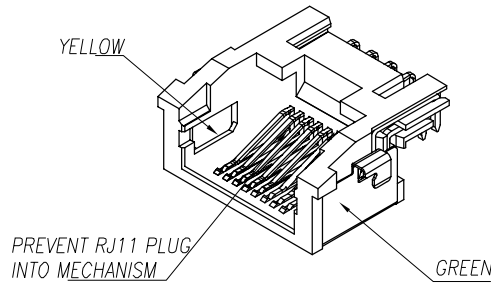
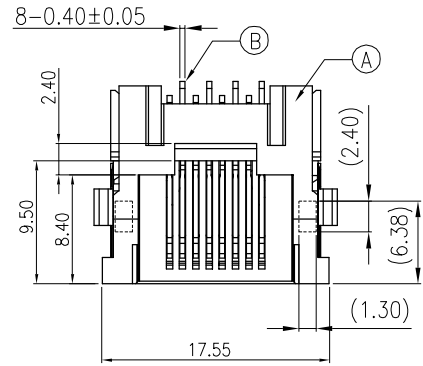
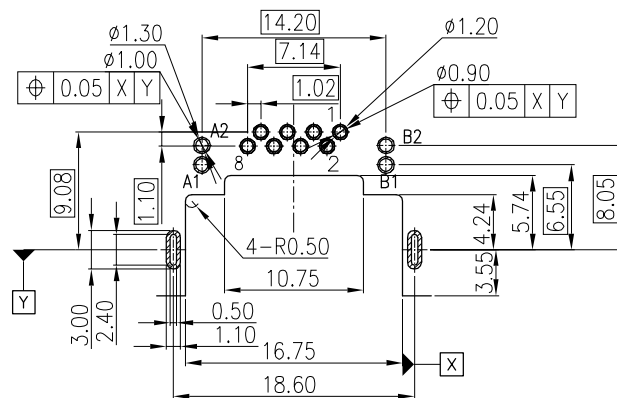
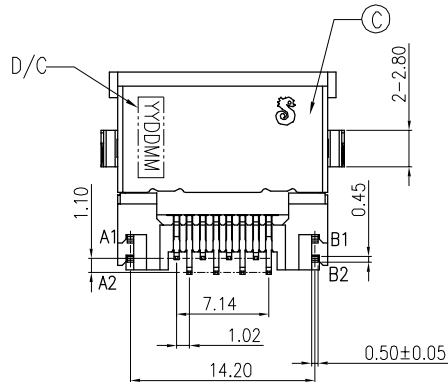
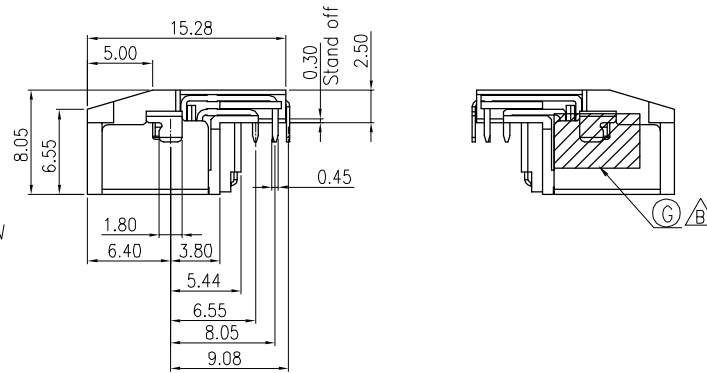
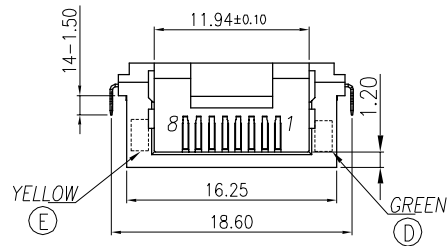


REV.	ECN NO OR DESCRIPTION	REVISED	DATE
A	PDR NO: S180301-5A	ALLEN	2019.04.22
B	ECN NO: S202103-E12	PAN	2021.07.05



**SPECIFICATIONS:**

- ELECTRICAL CHARACTERISTICS:
  - CURRENT RATING: 1.5A MAX.
  - VOLTAGE RATING: 150V MAX.
  - CONTACT RESISTANCE : 50mΩ MAX.(INITIAL). 100mΩ MAX.(AFTER LIFE TEST).
  - INSULATION RESISTANCE : 100MΩ MIN.
  - Dielectric Withstanding Voltage : 500 V AC
- MECHANICAL CHARACTERISTICS:
  - DURABILITY: 5000 CYCLES.
  - INSERTION FORCE: 2.1Kg MAX. WITH LATCH DEPRESSED.
  - WITHDRAWAL FORCE: 0.1Kg MAX. WITH LATCH DEPRESSED.
  - OPERATING TEMPERATURE: -30℃ ~ +70℃
- MARKING: MARK "S" INSIDE OF THE CONNECTOR.
- PACKAGING : TAPE & REEL.
- TO CONFORM TO SINGATRON HAZARDOUS SUBSTANCE FREE SPEC.
- HALOGEN FREE PRODUCT IDENTIFICATION  
MARK ON PRODUCT:
- HALOGEN FREE PRODUCT IDENTIFICATION LOGO  
ON THE PACKAGING:
- FOR REFLOW SOLDERING LEAD-FREE PROCESS.
- PRINTED DATE CODE "YY MM DD" ON TOP OF THE CONNECTOR.



RECOMMENDED PCB LAYOUT  
TOP VIEW ; TOL.±0.05  
(PCB THICKNESS=1.00mm)

NODE	COLOR
A1(-) A2(+)	YELLOW
B1(-) B2(+)	GREEN

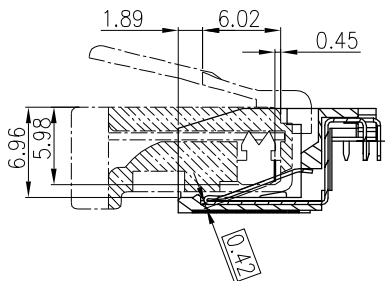
DD: DAY  
MM: MONTH  
YY: YEAR

NO	DESCRIPTION	QTY	MATERIAL	PLATING & COLOR
G	MYLAR	1	6.60*4.20*0.08	BLACK
F	COVER	1	HIGH TEMP.THERMOPLASTIC	UL 94V-0 & BLACK
E	LED 2	1	YELLOW	Motte Sn 80u" ON SOLDER TAIL;
D	LED 1	1	GREEN	Motte Sn 80u" ON SOLDER TAIL;
C	SHELL	1	STAINLESS STEEL	NICKEL
B	TERMINAL	8	PHOSPHOR BRONZE	NI PLATING ALL OVER G/F ON CONTACT AREA; Motte Sn 80u" ON SOLDER TAIL; ALL OVER Ni: 50u"MIN.
A	HOUSING	1	HIGH TEMP.THERMOPLASTIC	UL 94V-0 & BLACK

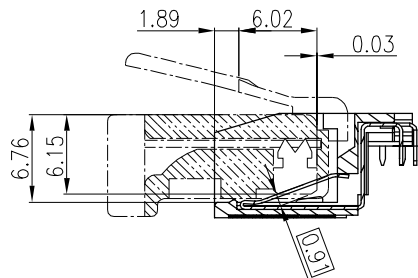
UNLESS OTHERWISE SPECIFIED TOLERANCES		Singatron Enterprise Co., Ltd. 	
DECIMALS:	ANGLES:	TITLE: RJ45 JACK	
X : ±0.5	X : ±2°	DWN	Pan PART NO. 2RJ3103-118211F
X.X : ±0.3	X.X : ±1°	CHKD	Allen SCALE 4:1 UNIT: mm
X.XX : ±0.2		APVD	boye SIZE: A3 SHEET:1 OF 2 REV: B
CUSTOMER COPY			

REV.	ECN NO OR DESCRIPTION	REVISED	DATE
A	PDR NO: S180301-5A	ALLEN	2019.04.22
B	ECN NO: S202103-E12	PAN	2021.07.05

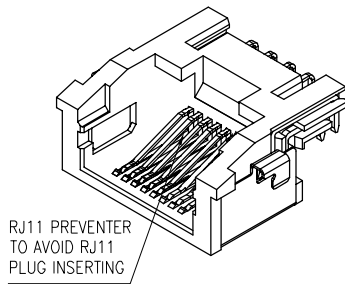
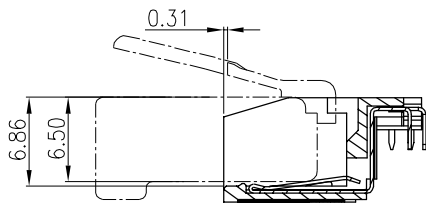
RJ45插入最小有效接觸行程



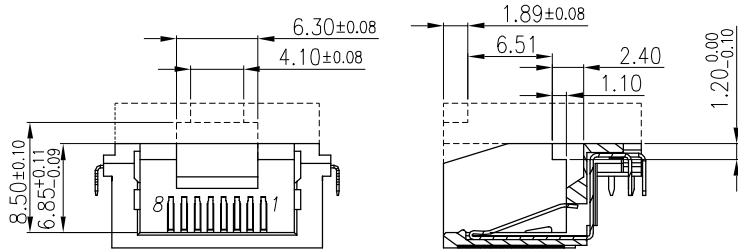
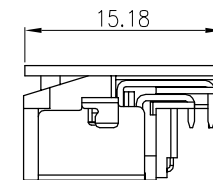
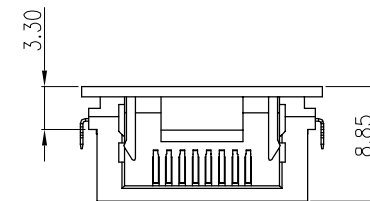
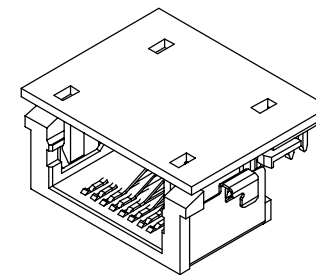
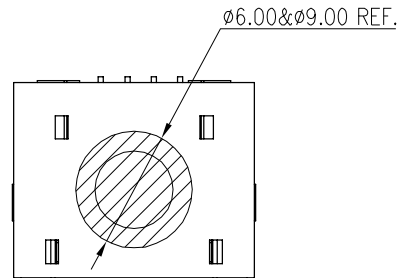
RJ45插入最大有效接觸行程



防RJ11插入模拟分析



WITH CAP



IEC & FCC SPEC

NO	DESCRIPTION	QTY	MATERIAL	PLATING & COLOR
UNLESS OTHERWISE SPECIFIED TOLERANCES		Singatron Enterprise Co., Ltd. 信音企業股份有限公司		
DECIMALS: ANGLES:		TITLE: RJ45 JACK		
X	:±0.5 X :±2°	DWN	Pan	PART NO. 2RJ3103-118211F
X.X	:±0.3 X.X :±1°	CHKD	Allen	SCALE 4:1 UNIT: mm
X.XX	:±0.2	APVD	boye	SIZE: A3 SHEET 2 OF 2 REV: B
CUSTOMER COPY				