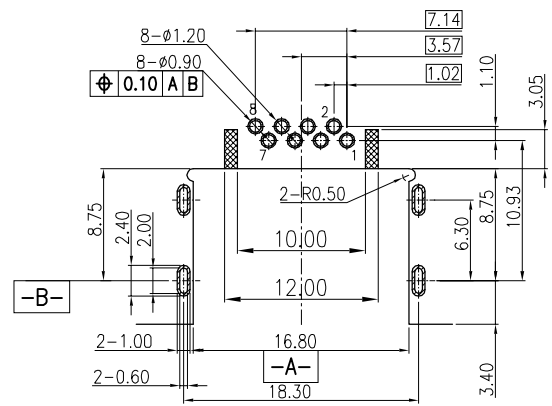
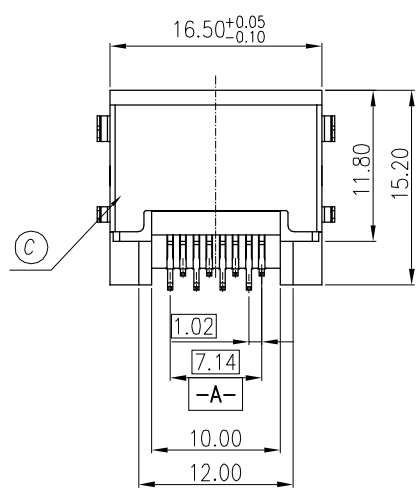
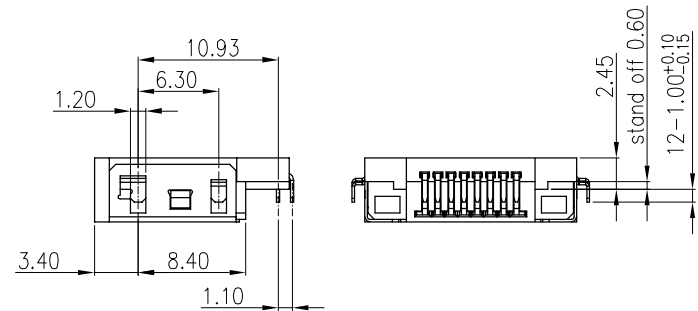
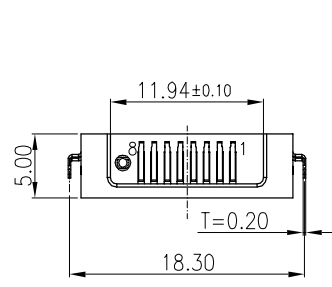
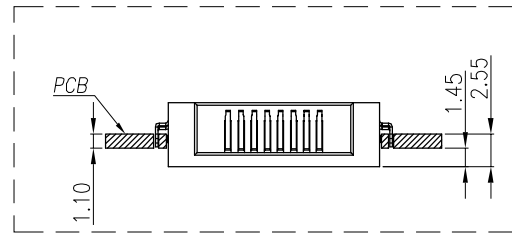
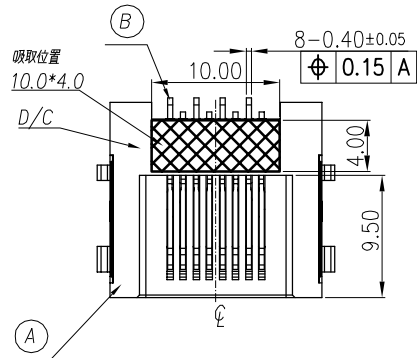


REV.	ECN NO OR DESCRIPTION	REVISED	DATE
A	PDR NO: T190327-4A	PAN	2020.04.03



RECOMMENDED PCB LAYOUT
TOP VIEW ; TOL.±0.05

▨ SOLDER PAD AREA ▩ STAND OFF AREA

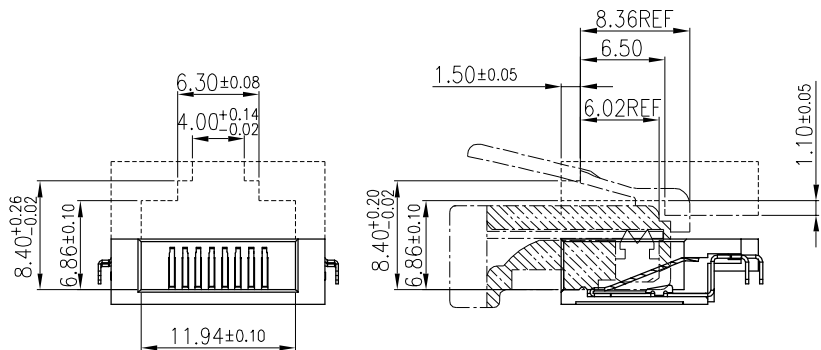
SPECIFICATIONS:

- ELECTRICAL CHARACTERISTICS:
 - CURRENT RATING: 1.5A MAX.
 - VOLTAGE RATING: 150V MAX.
 - CONTACT RESISTANCE : 50mΩ MAX.(INITIAL).
100mΩ MAX.(AFTER LIFE TEST).
 - INSULATION RESISTANCE : 100MΩ MIN.
 - Dielectric Withstanding Voltage : 500 V AC
- MECHANICAL CHARACTERISTICS:
 - DURABILITY: 5000 CYCLES.
 - INSERTION FORCE: 2.15Kgf MAX. WITH LATCH DEPRESSED.
 - WITHDRAWAL FORCE: 3.0Kgf Min. WITH LATCH DEPRESSED.
 - OPERATING TEMPERATURE: -30℃ ~ +70℃.
- MARKING: MARK " Ⓢ " ON TOP OF THE CONNECTOR.
- PACKAGING : TAPE & REEL.
- TO CONFORM TO SINGATRON HAZARDOUS SUBSTANCE FREE SPEC.
- HALOGEN FREE PRODUCT IDENTIFICATION
MARK ON PRODUCT: Ⓢ
- HALOGEN FREE PRODUCT IDENTIFICATION LOGO
ON THE PACKAGING: Ⓢ
- FOR REFLOW SOLDERING LEAD-FREE PROCESS.
- PRINTED DATE CODE " YY MM DD " ON TOP OF THE CONNECTOR.

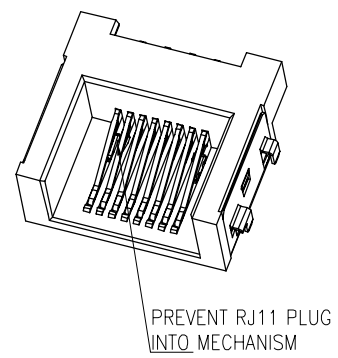
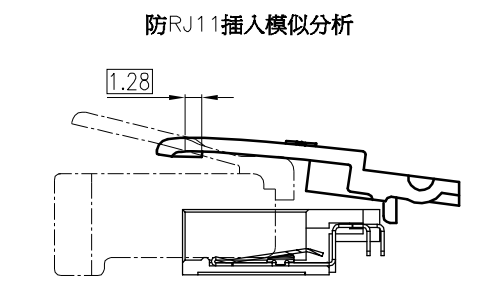
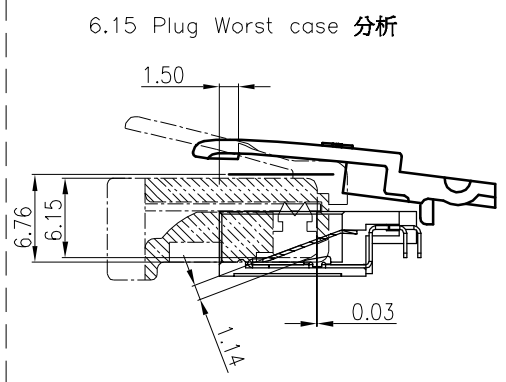
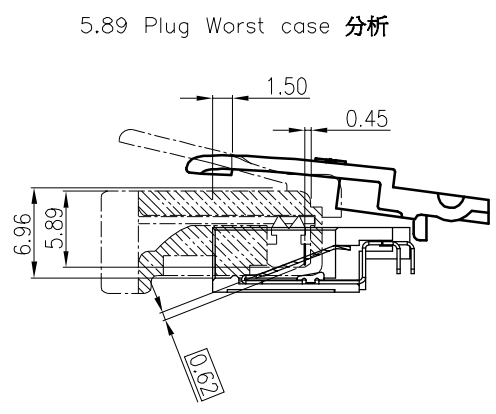
DD: DAY
MM: MONTH
YY: YEAR

C	SHELL	1	STAINLESS STEEL	Ni:50u"min UNDER PLATING OVER ALL
B	TERMINAL	8	PHOSPHOR BRONZE	G/F ON CONTACT AREA; Matte Sn 80u" ON SOLDER TAIL; ALL OVER Ni: 50u"MIN.
A	HOUSING	1	PA10T + 30%GF	UL 94V-0 & BLACK
NO	DESCRIPTION	QTY	MATERIAL	PLATING & COLOR
UNLESS OTHERWISE SPECIFIED TOLERANCES		Singatron Enterprise Co., Ltd. 信音企業股份有限公司		
DECIMALS: ANGLES:		TITLE: RJ45 JACK		
X	:±0.5	X	:±2°	DWN PAN PART NO. 2RJ3104-058211F
X.X	:±0.3	X.X	:±1°	CHKD ALLEN SCALE 4:1 UNIT: mm
X.XX	:±0.2	APVD	BOYE	SIZE: A3 SHEET:1 OF 2 REV: A
CUSTOMER COPY				

REV.	ECN NO OR DESCRIPTION	REVISED	DATE
A	PDR NO: T190327-4A	PAN	2020.04.03



機殼建議尺寸(IEC & Fcc SPEC)



NO	DESCRIPTION	QTY	MATERIAL	PLATING & COLOR
UNLESS OTHERWISE SPECIFIED TOLERANCES		Singatron Enterprise Co., Ltd. 信音企業股份有限公司		
DECIMALS: ANGLES:		TITLE: RJ45 JACK		
X	:±0.5 X :±2°	DWN	PAN	PART NO. 2RJ3104-058211F
X.X	:±0.3 X.X :±1°	CHKD	ALLEN	SCALE 4:1 UNIT: mm
X.XX	:±0.2	APVD	BOYE	SIZE: A3 SHEET 2 OF 2 REV: A
CUSTOMER COPY				