

REV.	ECN NO OR DESCRIPTION	REVISED	DATE
A	PDR NO:T171109-7A	ALLEN	2019.04.15
B	ECN NO:S190725-C	PAN	2019.09.20

SPECIFICATIONS:

- ELECTRICAL CHARACTERISTICS:
  - CURRENT RATING: 1.5A MAX.
  - VOLTAGE RATING: 150V MAX.
  - CONTACT RESISTANCE : 50mΩ MAX.(INITIAL).  
100mΩ MAX.(AFTER LIFE TEST).
  - INSULATION RESISTANCE : 100MΩ MIN.
  - Dielectric Withstanding Voltage : 500 V AC
- MECHANICAL CHARACTERISTICS:
  - DURABILITY: 5000 CYCLES.
  - INSERTION FORCE: 2.15Kgf MAX. WITH LATCH DEPRESSED.
  - WITHDRAWAL FORCE: 3.0Kgf Min. WITH LATCH DEPRESSED.
  - OPERATING TEMPERATURE:-30℃ ~ +70℃
- MARKING: MARK "S" ON TOP OF THE CONNECTOR.
- PACKAGING : TAPE & REEL.
- TO CONFORM TO SINGATRON HAZARDOUS SUBSTANCE FREE SPEC.
- HALOGEN FREE PRODUCT IDENTIFICATION  
MARK ON PRODUCT: ●
- HALOGEN FREE PRODUCT IDENTIFICATION LOGO  
ON THE PACKAGING: ●
- FOR REFLOW SOLDERING LEAD-FREE PROCESS.
- PRINTED DATE CODE" YY MM DD " ON TOP OF THE CONNECTOR.

NODE	COLOR	
9(+)	10(-)	Amber 9-10
11(+)	12(-)	Green 11-12

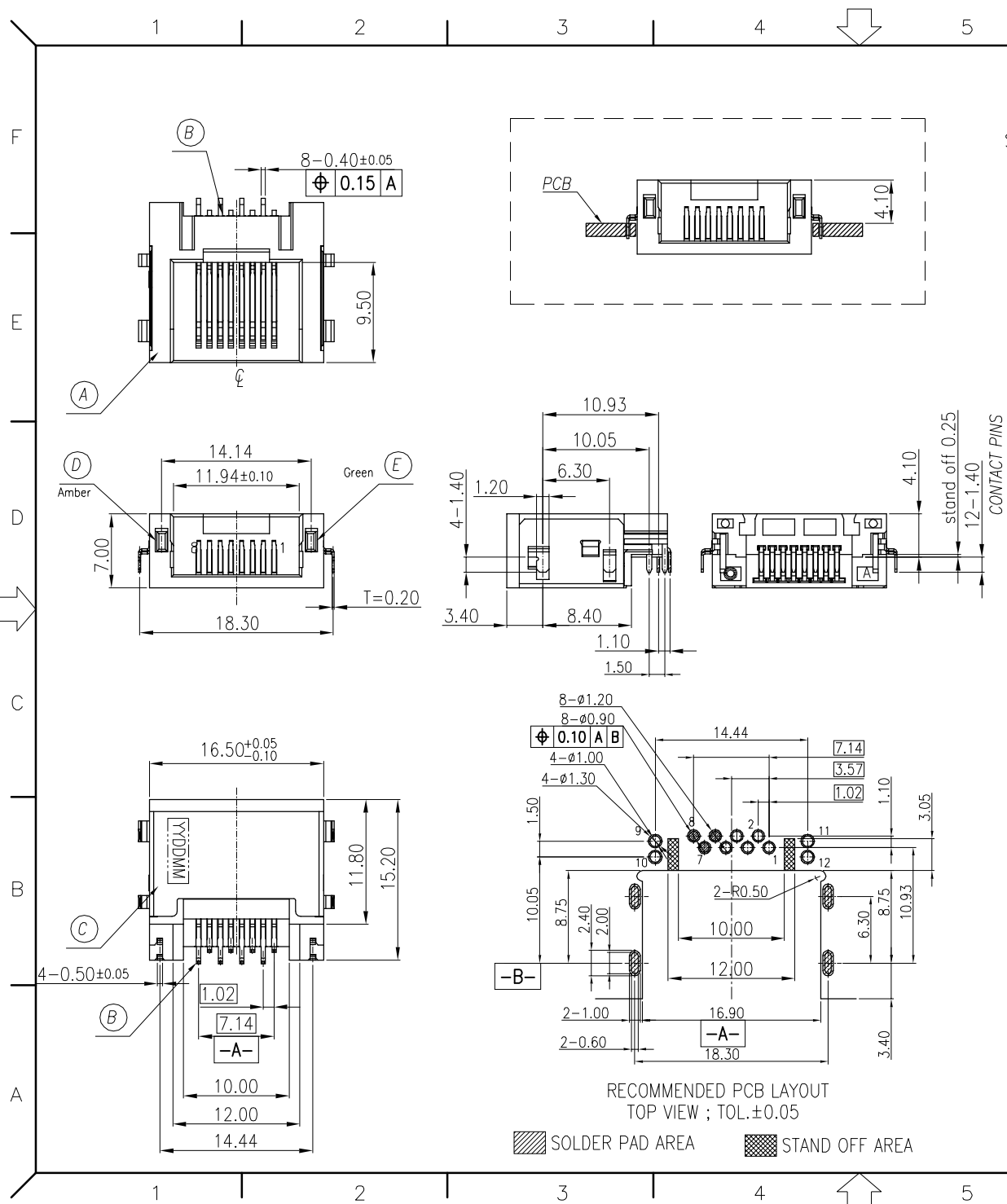
DD: DAY  
MM: MONTH  
YY: YEAR

F	COVER	1	HIGH TEMP.THERMOPLASTIC	UL 94V-0 & White
E	LED	1	Green	Motte Sn 80u" ON SOLDER TAIL:
D	LED	1	Amber	Motte Sn 80u" ON SOLDER TAIL:
C	SHELL	1	STAINLESS STEEL	Ni:50u"Min UNDER PLATING COVER ALL
B	TERMINAL	8	PHOSPHOR BRONZE	G/F ON CONTACT AREA; Motte Sn 80u" ON SOLDER TAIL: ALL OVER Ni: 50u"MIN.
A	HOUSING	1	PA10T + 30%GF	UL 94V-0 & BLACK
NO	DESCRIPTION	QTY	MATERIAL	PLATING & COLOR

UNLESS OTHERWISE SPECIFIED TOLERANCES

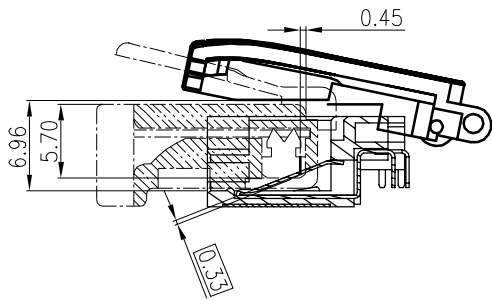
Singatron Enterprise Co., Ltd.  
信音企業股份有限公司

DECIMALS:	ANGLES:	TITLE	RJ45 JACK	
X :±0.5	X :±2°	DWN	PART NO. 2RJ3104-128211F	
X.X :±0.3	X.X :±1°	CHKD	SCALE 4:1	UNIT: mm
X.XX :±0.2		APVD	SIZE: A3	SHEET:1 OF 2
REV: B				
CUSTOMER COPY				

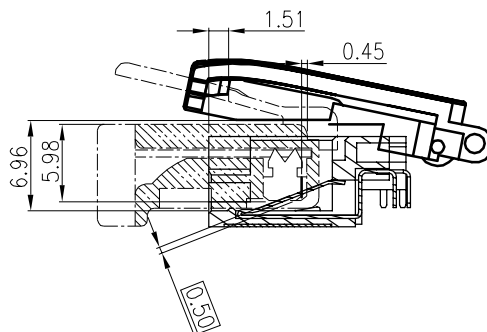


REV.	ECN NO OR DESCRIPTION	REVISED	DATE
A	PDR NO:T171109-7A	ALLEN	2019.04.15
B	ECN NO:S190725-C	PAN	2019.09.20

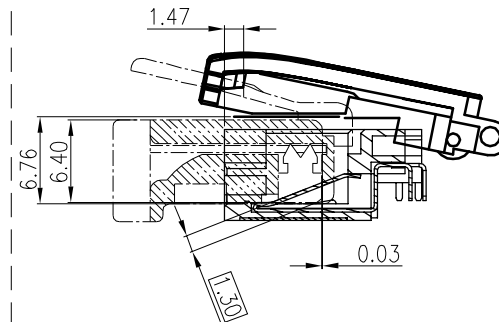
5.70 Plug Worst case 分析



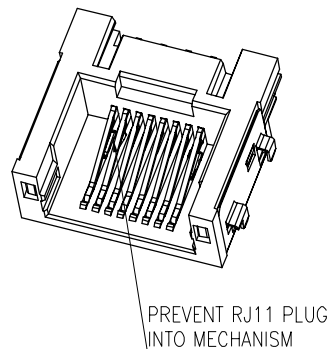
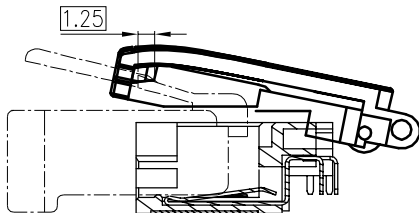
5.89 Plug Worst case 分析



6.40 Plug Worst case 分析

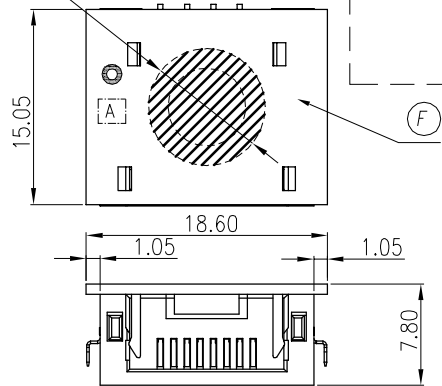


防RJ11插入模拟分析



ø6.00&ø9.00 REF  
PICK AREAø9.00

WITH CAP



NO	DESCRIPTION	QTY	MATERIAL	PLATING & COLOR
UNLESS OTHERWISE SPECIFIED TOLERANCES		Singatron Enterprise Co., Ltd. 信音企業股份有限公司		
DECIMALS:	ANGLES:	TITLE	RJ45 JACK	
X :±0.5	X :±2°	DWN	PART NO. 2RJ3104-128211F	
X.X :±0.3	X.X :±1°	CHKD	SCALE 4:1	UNIT: mm
X.XX :±0.2		APVD	SIZE: A3	SHEET 2 OF 2
REV: B				
CUSTOMER COPY				